

"THE MATERIAL HEREIN IS FOR INFORMATION PURPOSES ONLY AND IS SUBJECT TO CHANGE WITHOUT NOTICE. DIGITAL EQUIPMENT CORPORATION ASSUMES NO RESPONSIBILITY FOR ANY ERRORS WHICH MAY APPEAR HEREIN."

## FIELD MAINTENANCE PRINT SET

"THIS DRAWING AND SPECIFICATIONS, HEREIN, ARE THE PROPERTY OF DIGITAL EQUIPMENT CORPORATION AND SHALL NOT BE REPRODUCED OR COPIED OR USED IN WHOLE OR IN PART AS THE BASIS FOR THE MANUFACTURE OR SALE OF ITEMS WITHOUT WRITTEN PERMISSION. COPYRIGHT © 1979 DIGITAL EQUIPMENT CORPORATION."

### TABLE OF CONTENTS

|                  |   |
|------------------|---|
| B-TC-VT103-0-2   | FIELD MAINT. PRINT SET                    |
| E-UA-VT103-0-0   | UNIT ASSY, VT103                          |
| B-PL-VT103-0-0   | UNIT ASSY, VT103                          |
| E-AD-7017566-0-0 | MONITOR ASSY, VT103                       |
| B-PL-7017566-0-0 | MONITOR ASSY, VT103                       |
| E-UA-5413009-0-0 | BASIC VIDEO BOARD                         |
| K-PL-5413009-0-0 | BASIC VIDEO BOARD (PL)                    |
| D-CS-5413009-0-1 | BASIC VIDEO BOARD (CS)                    |
| D-UA-5414131-0-0 | VT100 MONITOR                             |
| D-CS-5414131-0-0 | VT100 MONITOR                             |
| B-PL-5414131-0-0 | VT100 MONITOR                             |
| E-UA-5413404-0-0 | KEYBOARD ASSY                             |
| K-PL-5413404-0-0 | KEYBOARD ASSY (PL)                        |
| D-CS-5413404-0-1 | KEYBOARD ASSY (CS)                        |
| D-AD-7015765-0-0 | KEYBOARD/KEYCAP ASSY                      |
| C-PL-7015765-0-0 | KEYBOARD/KEYCAP ASSY (PL)                 |
| D-AR-7015765-0-1 | KEYCAP ARRANGEMENT (MAIN.ARRAY & NUMERIC) |
| D-IA-7014978-0-0 | POWER CABLE ASSY                          |
| D-UA-H7835-0-0   | POWER SUPPLY ASSEMBLY                     |
| K-PL-H7835-0-DBP | POWER SUPPLY ASSEMBLY                     |
| D-IA-7016691-0-0 | LINE FILTER ASSY                          |
| E-UA-5413739-0-0 | POWER SUPPLY BOARD, H7835                 |
| K-PL-5413739-0-0 | POWER SUPPLY BOARD (PL)                   |
| D-CS-5413739-0-0 | POWER SUPPLY BOARD (CS)                   |
| E-UA-5412528-0-0 | POWER MONITOR BOARD                       |
| K-PL-5412528-0-0 | POWER MONITOR BOARD (PL)                  |
| D-CS-5412528-0-0 | POWER MONITOR BOARD (CS)                  |
| E-AD-7015854-0-0 | HSG/MODULE ASSY, TAPE DRIVE               |
| D-AD-7015510-0-0 | CARTRIDGE DRIVE                           |
| E-UA-5413489-0-0 | TU58 ASSY, SERIAL                         |
| K-PL-5413489-0-0 | TU58 ASSY, SERIAL                         |
| D-CS-5413489-0-0 | TU58 ASSY, SERIAL                         |
| D-IA-7016756-0-0 | CABLE ASSY, TU58 POWER                    |
| D-IA-7011411-0-0 | CABLE ASSY, 10-COND. RIBBON               |
| D-UA-5414350-0-0 | STP CONNECTOR CARD (UA)                   |
| D-CS-5414350-0-1 | STP CONNECTOR CARD (CS)                   |
| B-PL-5414350-0-0 | STP CONNECTOR CARD (PL)                   |
| C-AD-7016815-0-0 | MODULE RETAINER ASSEMBLY                  |
| MP00728          | FIELD MAINT. PRINT SET (BACKPLANE)        |

| UNIT VARIATIONS COVERED BY THIS PRINT SET |
|---|
| VT103-AA                                  |
| VT103-AB                                  |
| VT103-BA                                  |
| VT103-BB                                  |
|   |
|   |
|   |
|   |
|   |
|   |
|   |
|   |
|   |
|   |
|   |
|   |
|   |
|   |
|   |
|   |
|   |
|   |
|   |
|   |
|   |

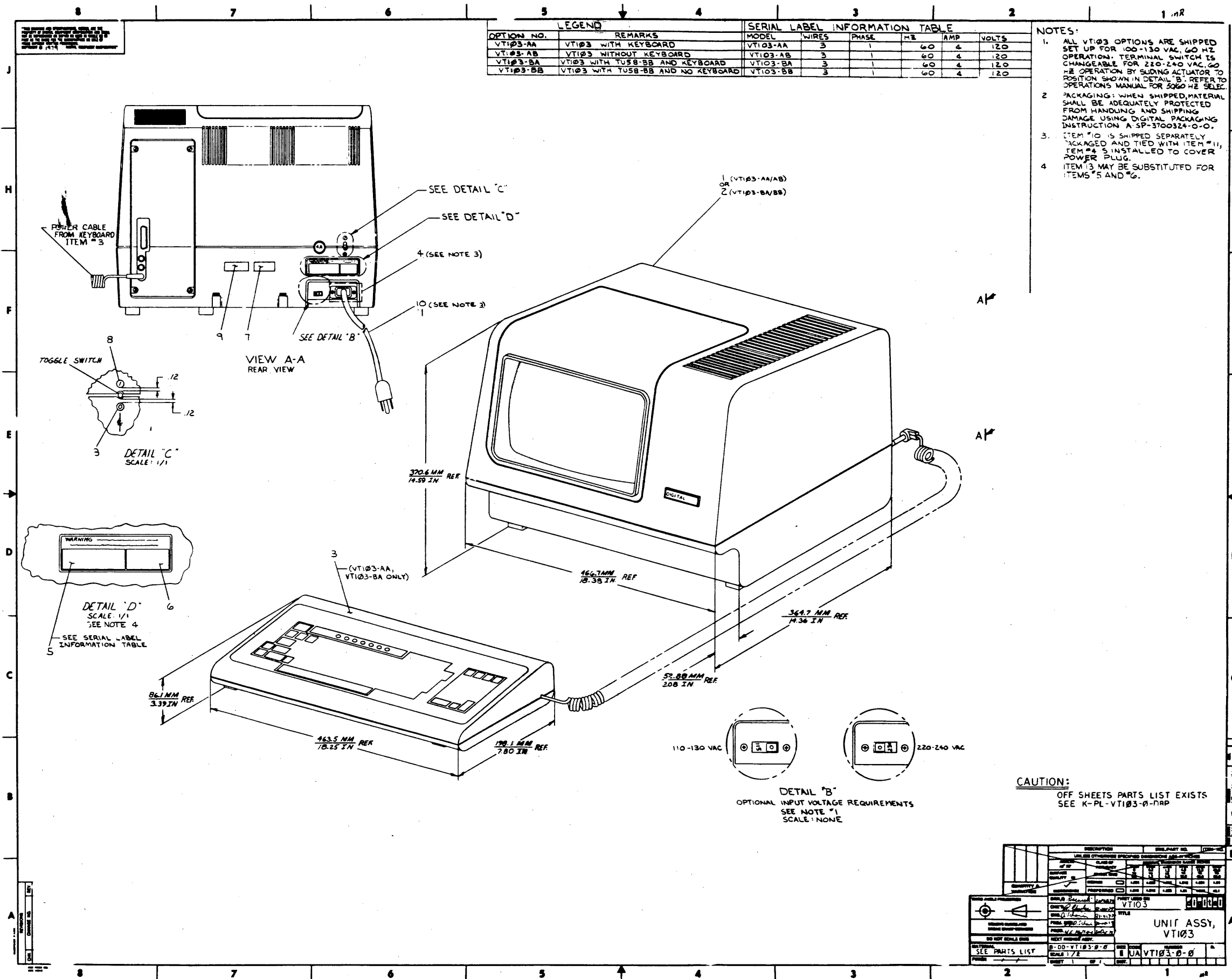
## Field Maintenance Print Set

## Digital Equipment Corporation

FIELD MAINTENANCE PRINT SET  
ORDER NO. MP00731

REV. A  
NUMBER VT103-0-1  
SIZE CODE B TC

|           |             |             |      |           |          |            |              |          |      |           |        |                             |           |      |   |  |
|-----------|-------------|-------------|------|-----------|----------|------------|--------------|----------|------|-----------|--------|-----------------------------|-----------|------|---|--|
| REVISIONS | REV         | A           | DATE | 8-29-80   | CHG. NO. | V103-MR001 | DRN.         | Z YOWLES | DATE | 12 JUN 79 | TITLE: | FIELD MAINTENANCE PRINT SET |           |      |   |  |
|           | CHK'D       | Z YOWLES    |      | 12 JUN 79 |          |            |              |          |      |           |        |                             |           |      |   |  |
|           | PROJ. ENG.  | D. Schain   |      | 12 NOV 79 |          |            |              |          |      |           |        |                             |           |      |   |  |
|           | FIELD SERV. | M. P. L. L. |      | 13 NOV 79 |          |            |              |          |      |           |        |                             |           |      |   |  |
| DATE      | 8-29-80     | V103-MR001  | A    |           |          |            | SHEET 1 OF 1 | SIZE     | B    | CODE      | TC     | NUMBER                      | VT103-0-1 | REV. | A |  |
|           |             |             |      | DIST.     |          |            |              |          |      |           |        |                             |           |      |   |  |



| DESCRIPTION      | QUANTITY | UNIT | REVISION |
|------------------|----------|------|----------|
| VT103            | 1        | UNIT |          |
| UNIF ASSY, VT103 | 1        | UNIT |          |
| UA-VT103-0-0     | 1        | UNIT |          |

SEE PARTS LIST

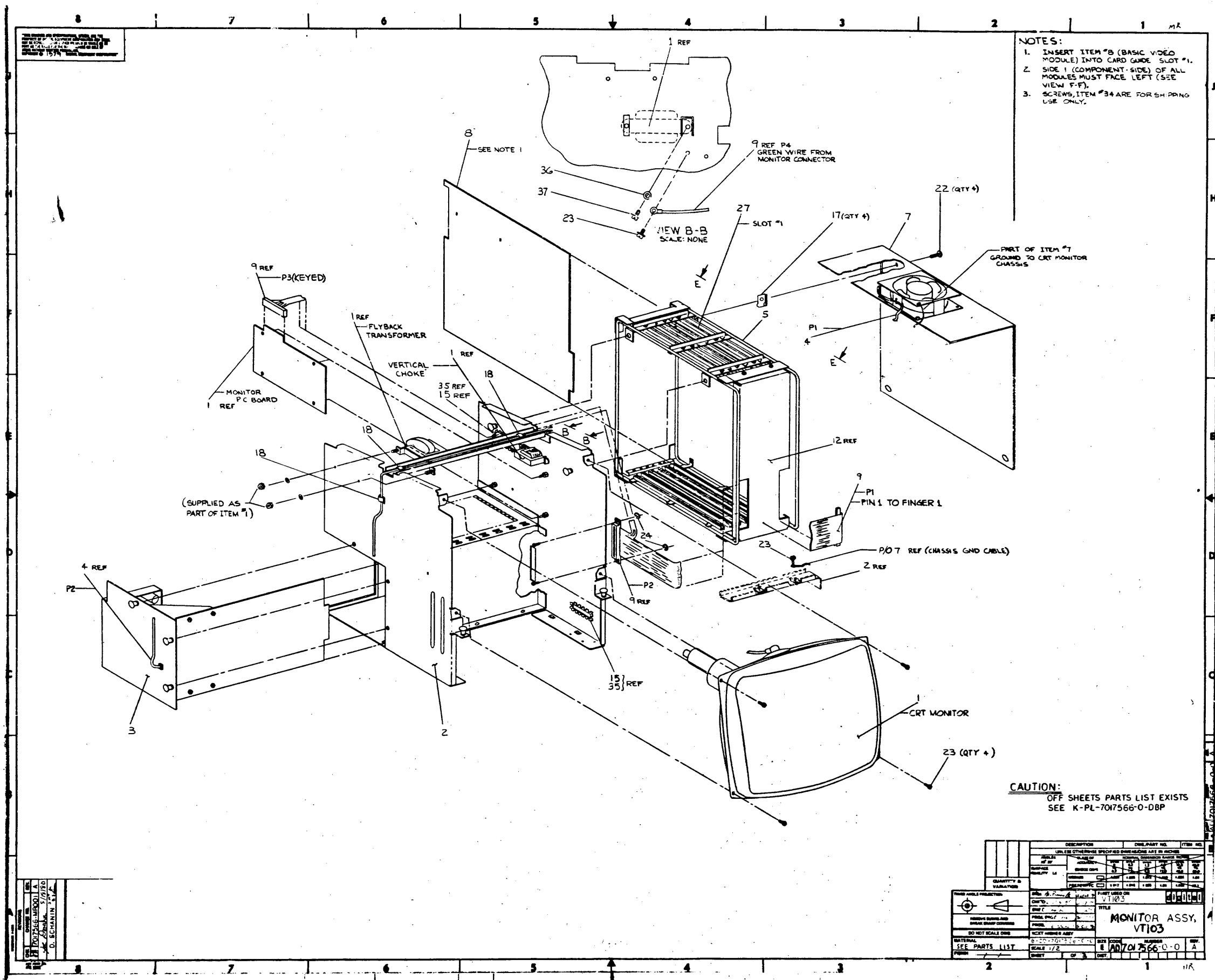
MR

| LINE ITEM | DOCUMENT NUMBER  | PART NUMBER | DESCRIPTION                        | QUANTITY PER VARIATION |    |    |    |
|-----------|------------------|-------------|------------------------------------|------------------------|----|----|----|
|           |                  |             |                                    | AA                     | AB | BA | BB |
| 1         | E-AD-7017566-0-0 | 7017566-00  | VT103 MONITOR ASSY.                | 1                      | 1  | -  | -  |
| 2         | E-AD-7017566-0-0 | 7017566-01  | VT103 MONITOR ASSY.                | -                      | -  | 1  | 1  |
| 3         | D-UA-7014653-0-0 | 7014653-00  | KEYBOARD ASSY                      | 1                      | -  | 1  | -  |
| 4         |                  | 3616448-00  | LABEL, CAUTION, USE CORRECT VOLT.  | 1                      | 1  | 1  | 1  |
| 5         |                  | 3613209-01  | LABEL, ADHESIVE BACK               | 1                      | 1  | 1  | 1  |
| 6         |                  | 3613209-02  | LABEL, ADHESIVE BACK               | 1                      | 1  | 1  | 1  |
| 7         |                  | 3613211-01  | DECAL, CLEAR PREPRINTED CSA 1-1/4  | 1                      | 1  | 1  | 1  |
| 8         |                  | 3615680-00  | LABEL, ADHESIVE BACK, SWITCH POSIT | 1                      | 1  | 1  | 1  |
| 9         | A-DC-7414213-0-0 | 7414213-00  | STICKER VT50 UL                    | 1                      | 1  | 1  | 1  |
| 10        |                  | 1700083-09  | PWR CORD, TERM. 75IN, 18-3, 125V 6 | 1                      | 1  | 1  | 1  |
| 11        |                  | 9007032-00  | TIE, CABLE                         | 1                      | 1  | 1  | 1  |
| 12        | B-PL-7017313-0-0 | 7017313-00  | VT103 ACCESSORY                    | 1                      | 1  | 1  | 1  |
| 13        | A-PS-3613209-0-0 | 3613209-00  | LABEL, UL FOIL ADH BACK, 3/4 X     | 1                      | 1  | 1  | 1  |

| REVISION HISTORY |            | BASIC PART NO: VT103 |                          | DRN:             | MARK PASCARELLI | DATE:                | 28-MAR-79      | D I G I T A L    |      |                      |     |
|------------------|------------|----------------------|--------------------------|------------------|-----------------|----------------------|----------------|------------------|------|----------------------|-----|
| ENG:             | ECO NUMBER | REV                  | SECTION A OF A           | CHK'D:           | R. VOWLES       | DATE:                | 4-MAY-79       | TITLE            |      | PARTS LIST           |     |
|                  | INITIAL    | *                    | SECTION, VARIATION INDEX |                  |                 |                      |                | UNIT ASSY, VT103 |      |                      |     |
|                  |            |                      | (A) AA, AB, BA, BB       |                  |                 |                      |                | DOCUMENT NUMBER  |      |                      |     |
|                  |            |                      | (B)                      | DES, ENG.:       | DAVE SCHANIN    | DATE:                | 14-NOV-79      | SIZE             | CODE | NUMBER               | REV |
|                  |            |                      | (C)                      | RESP, ENG.:      | DAVE SCHANIN    | DATE:                | 14-NOV-79      | K                | PL   | VT103-0-DHP          | *   |
|                  |            |                      | (D)                      |                  |                 |                      |                | ASSEMBLY NUMBER: |      | TOP DOCUMENT NUMBER: |     |
|                  |            |                      | (E)                      | MFG, ENG.:       | MIKE MATHEWS    | DATE:                | 14-NOV-79      | FILE NAME:       |      | EDIT #               |     |
|                  |            |                      | (F)                      |                  |                 |                      |                | Z0873, PLS       |      | 15                   |     |
|                  |            |                      |                          | ASSEMBLY NUMBER: | E-UA-VT103-0-0  | TOP DOCUMENT NUMBER: | B-DD-VT103-0-0 | FILE NAME:       |      | EDIT #               |     |

"THIS DRAWING AND SPECIFICATIONS HEREIN, ARE THE PROPERTY OF DIGITAL EQUIPMENT CORPORATION AND SHALL NOT BE REPRODUCED OR COPIED OR USED IN WHOLE OR IN PART AS THE BASIS FOR THE MANUFACTURE OR SALE OF ITEMS WITHOUT WRITTEN PERMISSION, COPYRIGHT (C) 1979, DIGITAL EQUIPMENT CORPORATION"

MR



NOTES:

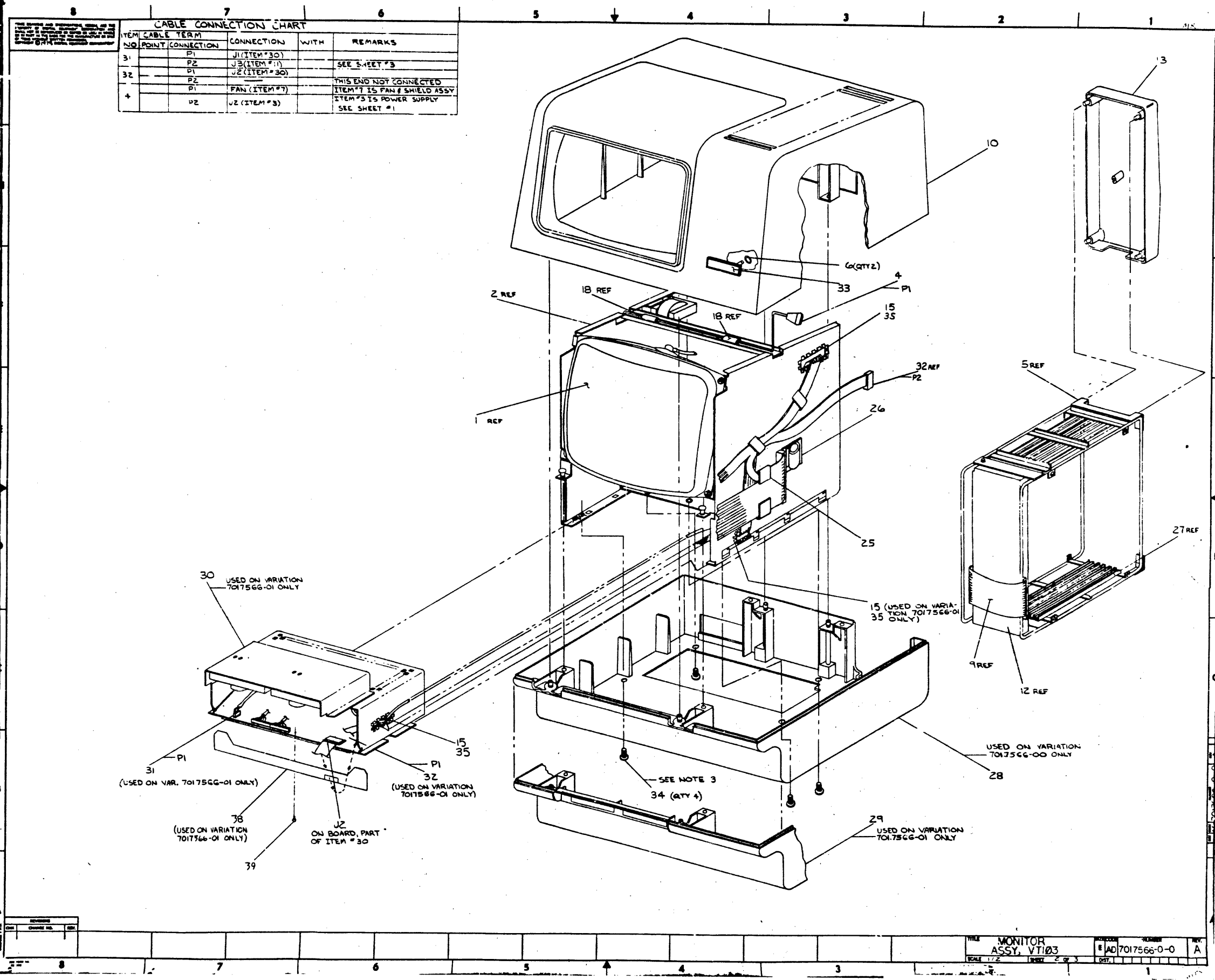
1. INSERT ITEM #8 (BASIC VIDEO MODULE) INTO CARD GUIDE SLOT #1.
2. SIDE 1 (COMPONENT-SIDE) OF ALL MODULES MUST FACE LEFT (SEE VIEW F-F).
3. SCREWS, ITEM #34 ARE FOR SHIELDING USE ONLY.

CAUTION:  
OFF SHEETS PARTS LIST EXISTS  
SEE K-PL-7017566-0-DBP

100-7017566-0-DBP  
REV. 10/68  
D. SCHMIDT

| DESCRIPTION         | QUANTITY | UNIT | ITEM NO.         |
|---------------------|----------|------|------------------|
| MONITOR ASSY, VT103 | 1        | EA   | 100-7017566-0-0  |
| CRT MONITOR         | 1        | EA   | 100-7017566-0-1  |
| MONITOR P.C. BOARD  | 1        | EA   | 100-7017566-0-2  |
| FLYBACK TRANSFORMER | 1        | EA   | 100-7017566-0-3  |
| VERTICAL CHOKE      | 1        | EA   | 100-7017566-0-4  |
| MONITOR CONNECTOR   | 1        | EA   | 100-7017566-0-5  |
| CHASSIS GND CABLE   | 1        | EA   | 100-7017566-0-6  |
| SHIELDING SCREWS    | 34       | EA   | 100-7017566-0-7  |
| SCREWS              | 4        | EA   | 100-7017566-0-8  |
| SCREWS              | 4        | EA   | 100-7017566-0-9  |
| SCREWS              | 4        | EA   | 100-7017566-0-10 |
| SCREWS              | 4        | EA   | 100-7017566-0-11 |
| SCREWS              | 4        | EA   | 100-7017566-0-12 |
| SCREWS              | 4        | EA   | 100-7017566-0-13 |
| SCREWS              | 4        | EA   | 100-7017566-0-14 |
| SCREWS              | 4        | EA   | 100-7017566-0-15 |
| SCREWS              | 4        | EA   | 100-7017566-0-16 |
| SCREWS              | 4        | EA   | 100-7017566-0-17 |
| SCREWS              | 4        | EA   | 100-7017566-0-18 |
| SCREWS              | 4        | EA   | 100-7017566-0-19 |
| SCREWS              | 4        | EA   | 100-7017566-0-20 |
| SCREWS              | 4        | EA   | 100-7017566-0-21 |
| SCREWS              | 4        | EA   | 100-7017566-0-22 |
| SCREWS              | 4        | EA   | 100-7017566-0-23 |
| SCREWS              | 4        | EA   | 100-7017566-0-24 |
| SCREWS              | 4        | EA   | 100-7017566-0-25 |
| SCREWS              | 4        | EA   | 100-7017566-0-26 |
| SCREWS              | 4        | EA   | 100-7017566-0-27 |
| SCREWS              | 4        | EA   | 100-7017566-0-28 |
| SCREWS              | 4        | EA   | 100-7017566-0-29 |
| SCREWS              | 4        | EA   | 100-7017566-0-30 |
| SCREWS              | 4        | EA   | 100-7017566-0-31 |
| SCREWS              | 4        | EA   | 100-7017566-0-32 |
| SCREWS              | 4        | EA   | 100-7017566-0-33 |
| SCREWS              | 4        | EA   | 100-7017566-0-34 |

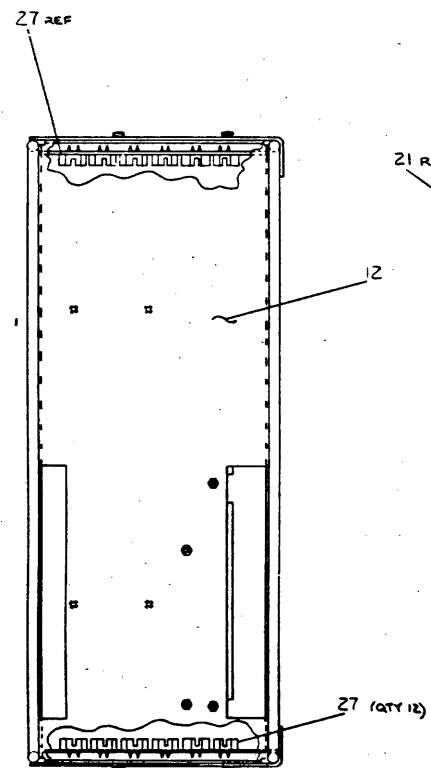
| CABLE CONNECTION CHART |            |               |      |                                      |
|------------------------|------------|---------------|------|--------------------------------------|
| ITEM NO                | CABLE TERM | CONNECTION    | WITH | REMARKS                              |
| 31                     | P1         | J1 (ITEM #30) |      |                                      |
|                        | P2         | J3 (ITEM #11) |      | SEE SHEET #3                         |
| 32                     | P1         | J2 (ITEM #30) |      |                                      |
|                        | P2         |               |      | THIS END NOT CONNECTED               |
|                        | P1         | FAN (ITEM #7) |      | ITEM #7 IS FAN & SHIELD ASSY         |
|                        | P2         | J2 (ITEM #3)  |      | ITEM #3 IS POWER SUPPLY SEE SHEET #1 |



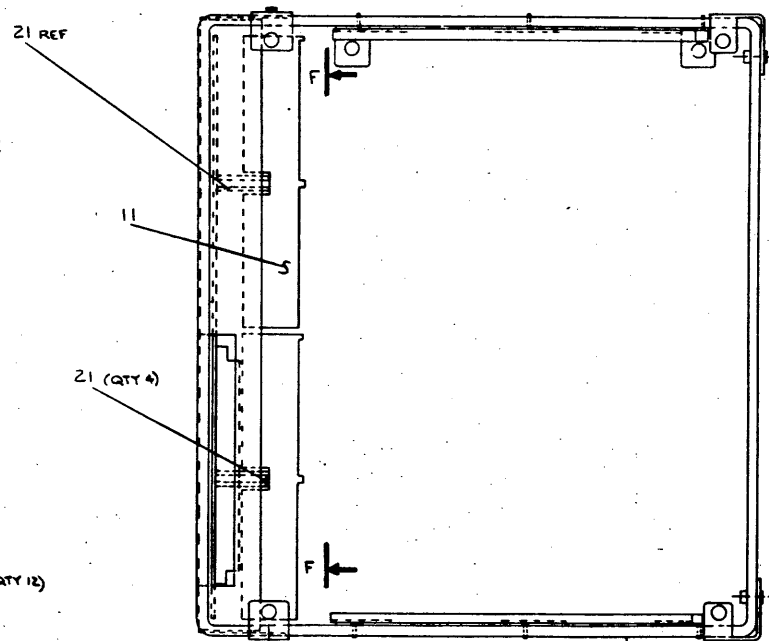
|     |      |    |      |
|-----|------|----|------|
| REV | DATE | BY | CHKD |
|     |      |    |      |

TITLE: MONITOR ASSY, VT103  
 SCALE: 1/2" = 1"  
 SHEET: 2 OF 3  
 PART: 7017566-0-0  
 REV: A

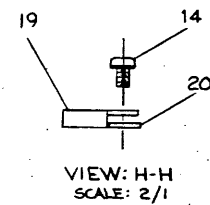
THIS DRAWING AND SPECIFICATIONS SHALL BE THE PROPERTY OF THE COMPANY AND SHALL BE KEPT IN CONFIDENCE. IT IS TO BE USED ONLY FOR THE PURPOSES AND IN THE MANNER AND TO THE EXTENT SPECIFICALLY AUTHORIZED BY THE COMPANY. ANY UNAUTHORIZED REPRODUCTION OR DISSEMINATION OF THIS DRAWING IS STRICTLY PROHIBITED.



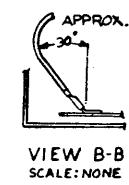
REAR VIEW



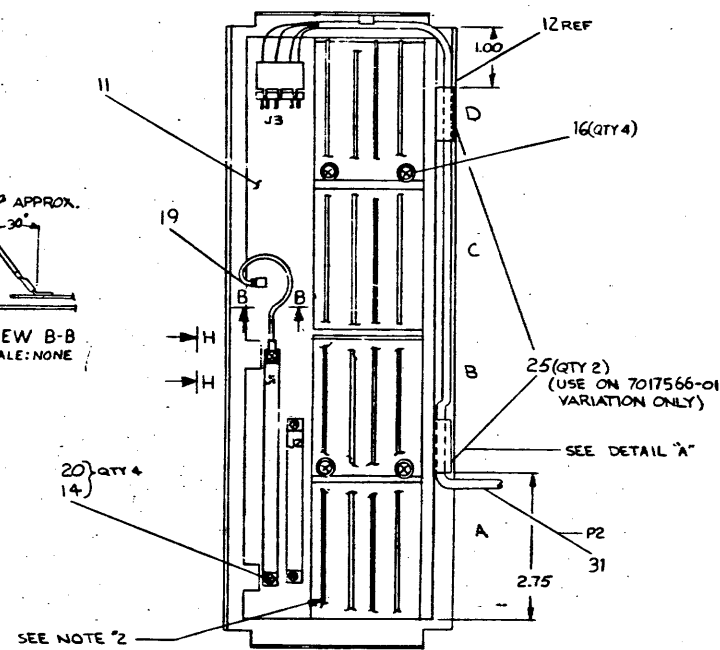
VIEW "E-E"



VIEW: H-H  
SCALE: 2/1



VIEW B-B  
SCALE: NONE



VIEW "F-F"  
SCALE: 1/1



DETAIL "A"  
SCALE: NONE

|     |      |    |      |
|-----|------|----|------|
| REV | DATE | BY | CHKD |
|     |      |    |      |

MONITOR ASSY, VT103  
 PART 7017566-0-0  
 3 OF 3

PARTS LIST

| LINE | ITEM | DOCUMENT NUMBER  | PART NUMBER | DESCRIPTION                       | QUANTITY PER VARIATION |     |
|------|------|------------------|-------------|-----------------------------------|------------------------|-----|
|      |      |                  |             |                                   | 00                     | 01  |
| 1    | 1    | A-PS-3016080-0-0 | 3016080-00  | MONITOR ASSY,CRT,DIRECT DRIVE RA  | 1                      | 1   |
| 2    | 2    | D-IA-7014975-0-0 | 7014975-00  | CHASSIS,ASSY CRT                  | 1                      | 1   |
| 3    | 3    | D-UA-H7835-0-0   | H7835-00    | VT103 SUPPLY;120V/240V 50/60HZ I  | 1                      | 1   |
| 4    | 4    | D-IA-7016044-0-0 | 7016044-02  | CABLE,PDT11 FAN 24 5IN            | 1                      | 1   |
| 5    | 5    | E-IA-7016624-0-0 | 7016624-00  | FRAME,PC CARD ASSY                | 1                      | 1   |
| 6    | 6    |                  | 9009257-00  | RING, RETAINING, REINFORCED, .35  | 1                      | 1   |
| 7    | 7    | D-AD-7016810-0-0 | 7016810-00  | FAN+SHIELD ASSY VT103             | 2                      | 2   |
| 8    | 8    | D-UA-5413009-0-0 | 5413009-00  | VT100 BASIC VIDEO CONTROLLER      | 1                      | 1   |
| 9    | 9    | D-IA-7014978-0-0 | 7014978-00  | POWER CABLE ASSY                  | 1                      | 1   |
| 10   | 10   | D-IA-7014974-0-0 | 7014974-01  | ENCLOSURE, CRT TOP ASSY           | 1                      | 1   |
| 11   | 11   | D-UA-5414008-0-0 | 5414008-00  | VT103 BACKPLANE                   | 1                      | 1   |
| 12   | 12   | D-IA-7421563-0-0 | 7421563-00  | BRKT, BACKPLANE                   | 1                      | 1   |
| 13   | 13   | D-IA-7014976-0-0 | 7014976-00  | WORT BOX ASSY                     | 1                      | 1   |
| 14   | 14   |                  | 9009643-01  | SCREW,PAN,PHIL,SEMS 4-40X .625    | 4                      | 4   |
| 15   | 15   |                  | 9007035-00  | GROMMET #122-37-1500              | A/R                    | A/R |
| 16   | 16   |                  | 9006210-06  | SCREW, PHILLIPS FILLISTER HEAD 8  | 4                      | 4   |
| 17   | 17   |                  | 9006584-00  | NUT, U-SHAPED, SPRING #C-8091     | 4                      | 4   |
| 18   | 18   |                  | 9008341-00  | CLIP,PVC HARNESS, DESKLASP,1" WID | 3                      | 3   |
| 19   | 19   | B-IA-7017314-0-0 | 7017314-00  | CABLE GROUND                      | 1                      | 1   |
| 20   | 20   |                  | 9006655-00  | WASHER, FLAT, .312 O.D, X .125 I  | 4                      | 4   |
| 21   | 21   |                  | 9009603-00  | SPACER, HEX, ALUM, 8-32, .250 X   | 4                      | 4   |
| 22   | 22   |                  | 9009701-00  | SCREW, SEMS, PHILLIPS PAN HD 6-3  | 8                      | 8   |
| 23   | 23   |                  | 9009967-00  | SCREW,HEX ,SLOT 6-32X 5/16        | 6                      | 6   |
| 24   | 24   |                  | 9010007-00  | RING, RETAINING,EXTERNAL FOR 7/6  | 2                      | 2   |
| 25   | 25   |                  | 9009636-00  | CLAMP, CABLE, FOR FLAT CABLE      | 1                      | 3   |
| 26   | 26   |                  | 9010161-00  | CLIP,PVC HARNESS, FOR CABLE 5/8   | 1                      | 1   |
| 27   | 27   |                  | 1212405-00  | CARD GUIDE,NYLON                  | 12                     | 12  |
| 28   | 28   | E-IA-7014980-0-0 | 7014980-01  | BASE,ENCLOSURE ASSY               | 1                      | -   |
| 29   | 29   | E-IA-7016099-0-0 | 7016099-02  | CREATED BY N211                   | 1                      | -   |
| 30   | 30   | E-AD-7015854-0-0 | 7015854-01  | HOUSING/MODULE ASSY TAPE DRIVE(W  | -                      | 1   |

| REVISION HISTORY |               |     | BASIC PART NO: 7017566   |                  | DRN: MARK PASCARELLI DATE: 28-MAR-79 |                      | D I G I T A L       |                 |               |        |  |
|------------------|---------------|-----|--------------------------|------------------|--------------------------------------|----------------------|---------------------|-----------------|---------------|--------|--|
| ENG              | ECO NUMBER    | REV | SECTION A OF A           | CHK'D            | R, VOWLES                            | DATE: 4-MAY-79       | TITLE               | PARTS LIST      |               |        |  |
| ---              | INITIAL       | *   | SECTION, VARIATION INDEX |                  |                                      |                      | MONITOR ASSY, VT103 |                 |               |        |  |
| JT               | 7017566-MR001 | A   | [A] 00,01                |                  |                                      |                      |                     |                 |               |        |  |
|                  |               |     | [B]                      | DES,ENG,;        | DAVE SCHANIN                         | DATE: 14-NOV-79      |                     |                 |               |        |  |
|                  |               |     | [C]                      | RESP,ENG,;       | DAVE SCHANIN                         | DATE: 14-NOV-79      |                     | DOCUMENT NUMBER |               |        |  |
|                  |               |     | [D]                      |                  |                                      |                      | SIZE                | CODE            | NUMBER        | REV    |  |
|                  |               |     | [E]                      | MFG,ENG,;        | MIKE MATHEWS                         | DATE: 14-NOV-79      | K                   | PL              | 7017566-0-DBP | A      |  |
|                  |               |     | [F]                      | ASSEMBLY NUMBER; |                                      | TOP DOCUMENT NUMBER; |                     | FILE NAME;      |               | EDIT # |  |
|                  |               |     |                          | E-AD-7017566-0-0 |                                      | B-DD-7017566-0-0     |                     | Z0874A,PLS      |               | 33     |  |

"THIS DRAWING AND SPECIFICATIONS HEREIN, ARE THE PROPERTY OF DIGITAL EQUIPMENT CORPORATION AND SHALL NOT BE REPRODUCED OR COPIED OR USED IN WHOLE OR IN PART AS THE BASIS FOR THE MANUFACTURE OR SALE OF ITEMS WITHOUT WRITTEN PERMISSION. COPYRIGHT (C) 1980, DIGITAL EQUIPMENT CORPORATION"

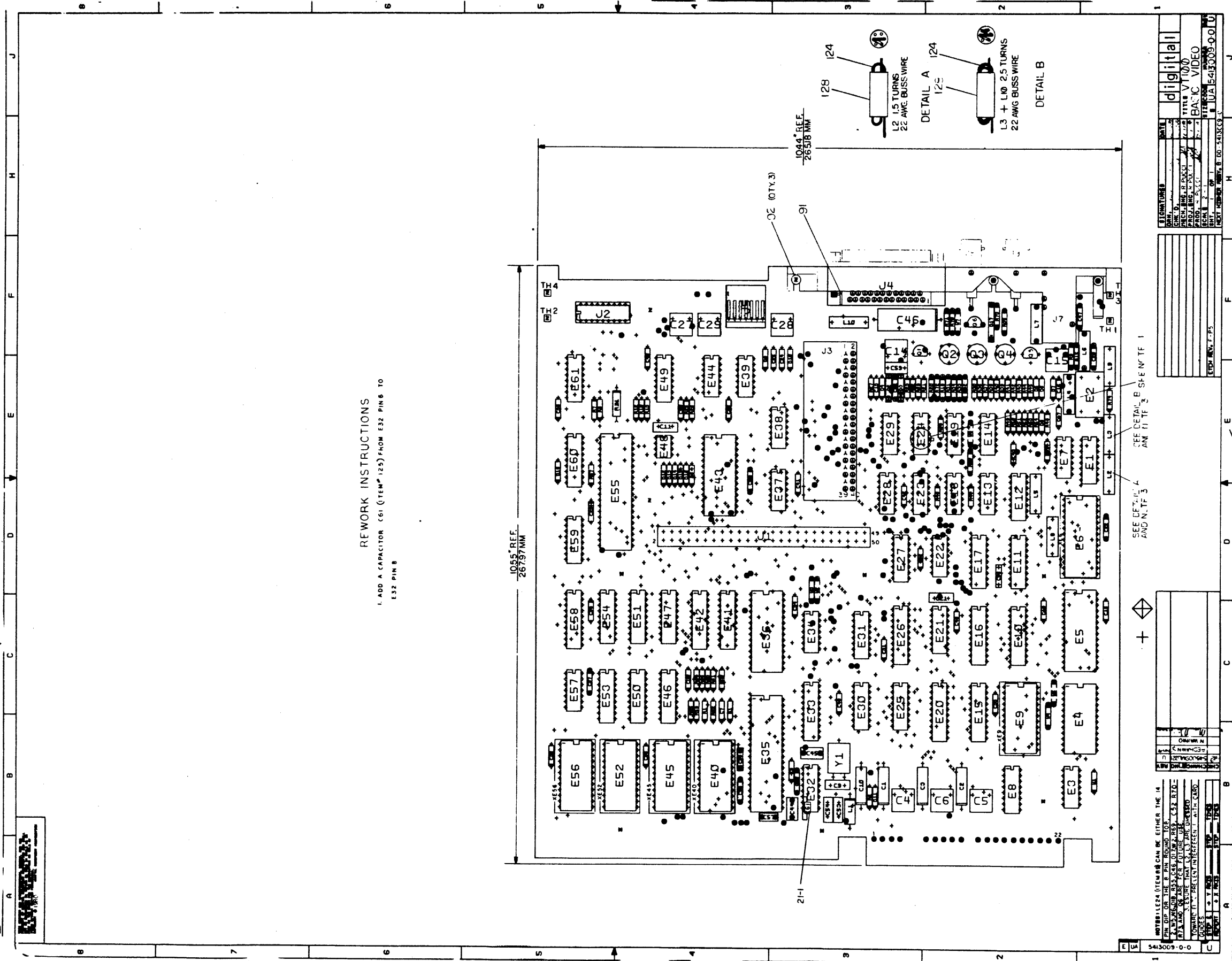
*MR*

| LINE ITEM | DOCUMENT NUMBER | PART NUMBER      | DESCRIPTION | QUANTITY PER VARIATION           |         |
|-----------|-----------------|------------------|-------------|----------------------------------|---------|
|           |                 |                  |             | 00                               | 01      |
| 31        | 31              | D-IA-7016756-0-0 | 7016756-2H  | POWER CABLE TU58                 | - 1     |
| 32        | 32              | D-IA-7011411-0-0 | 7011411-02  | CONSOLE BACKPLANE CABLE          | - 1     |
| 33        | 33              | D-IA-7422759-0-0 | 7422759-00  | LOGO,VT BLANK                    | 1 1     |
| 34        | 34              |                  | 9010135-00  | SCREW,FLAT,SLOT 8-32X 1/2        | 4 4     |
| 35        | 35              |                  | 9009157-00  | ADH,LIQ,RM,TEMP CURING COLORLESS | A/R A/R |
| 36        | 36              |                  | 9006659-00  | WASHER, FLAT, .375 O,D, X .156 I | 1 1     |
| 37        | 37              |                  | 9010112-00  | SCREW,TAPPING,TYPE B,HEX ,SLOT,  | 1 1     |
| 38        | 38              | D-MD-7423988-0-0 | 7423988-00  | STIFFENER, MODULE                | - 1     |
| 39        | 39              |                  | 9010221-00  | CLIP,SNAPIN .270                 | - 1     |

|   |   |   |   |   |   |   |                     |                |      |      |                 |     |
|---|---|---|---|---|---|---|---------------------|----------------|------|------|-----------------|-----|
| D | I | G | I | T | A | L | TITLE               | SECTION A OF A | SIZE | CODE | DOCUMENT NUMBER | REV |
|   |   |   |   |   |   |   | MONITOR ASSY, VT103 |                | K    | PL   | 7017566-0-DBP   | A   |

MR





REWORK INSTRUCTIONS  
 1. ADD A CAPACITOR (C61 (TEMP 125) FROM E32 PIN 6 TO E32 PIN 8

105.5 REF.  
26797MM

2-1-1

02 (QTY.3)

104.4 REF.  
26518MM

128 124

L2 1.5 TURNS  
22 AWG BUSS WIRE

DETAIL A 124

125 124

L3 + L4 2.5 TURNS  
22 AWG BUSS WIRE

DETAIL B

SEE DETAIL A AND N.T.F. 3

SEE DETAIL B SHEET 1 AND N.T.F. 3



NOTE: 1. LEAD ITEMS CAN BE EITHER THE 14 PIN DIP OR THE 8 PIN ROUND TOY  
 2. ALL RESISTORS ARE 0.25W 5% UNLESS OTHERWISE SPECIFIED  
 3. ALL CAPS ARE POLYMER FILM UNLESS OTHERWISE SPECIFIED  
 4. ALL CAPS ARE 50V UNLESS OTHERWISE SPECIFIED  
 5. ALL CAPS ARE 0.1UF UNLESS OTHERWISE SPECIFIED

|             |             |            |         |
|-------------|-------------|------------|---------|
| DATE        | 10/1/78     | BY         | WJ      |
| DESIGNED BY | WJ          | CHECKED BY | WJ      |
| PROJECT NO. | 5413009-00  | REV.       | 1       |
| DESCRIPTION | DIGITAL     |            |         |
| ISSUED BY   | WJ          | DATE       | 10/1/78 |
| ISSUED FOR  | BASIC VIDEO |            |         |
| ISSUED TO   | 5413009-00  |            |         |

|      |    |      |         |
|------|----|------|---------|
| REV. | 1  | DATE | 10/1/78 |
| REV. | 2  | DATE | 10/1/78 |
| REV. | 3  | DATE | 10/1/78 |
| REV. | 4  | DATE | 10/1/78 |
| REV. | 5  | DATE | 10/1/78 |
| REV. | 6  | DATE | 10/1/78 |
| REV. | 7  | DATE | 10/1/78 |
| REV. | 8  | DATE | 10/1/78 |
| REV. | 9  | DATE | 10/1/78 |
| REV. | 10 | DATE | 10/1/78 |

5413009-00

| LINE | ITEM | DOCUMENT NUMBER  | PART NUMBER | DESCRIPTION                     | QTY PER VARIATION |    |    |    | REFERENCE DESIGNATOR                                   |
|------|------|------------------|-------------|---------------------------------|-------------------|----|----|----|--|
|      |      |                  |             |                                 | 03                | 04 | 05 | 99 |  |
| 1    | 1    | D-MD-5013009-0-0 | 5013008-00  | VT100 BASIC VIDEO               | 1                 | 1  | 1  | 1  |  |
| 2    | 2    |                  | 1000005-00  | 6.8 MMF 100V 5%200PPM MICA      | 1                 | 1  | 1  | 1  | C9   |
| 3    | 3    |                  | 1000014-00  | 68.0 MMF 100V 5%200PPM MICA     | 1                 | 1  | 1  | 1  | C11  |
| 4    | 4    |                  | 1000016-00  | 100.0 MMF 100V 5%200PPM MICA    | 2                 | 2  | 2  | 2  | C21,C54  |
| 5    | 5    |                  | 1000076-00  | 39 MFD 10V 10% S.TANT           | 1                 | 1  | 1  | 1  | C10  |
| 6    | 6    |                  | 1017472-00  | 10 MFD 35V +50-10% AL EL        | 3                 | 3  | 3  | 3  | C1,C2,C3   |
| 7    | 7    |                  | 1010274-01  | .22 MFD 50V +80-20% Z5U CER     | 13                | 13 | 13 | 13 | C4-C6,C14,C15,C27-C29,C44,C45,<br>CONT C55,C56,C59     |
| 8    | 8    |                  | 1012784-00  | .047 MFD 50V +80-20% CER        | 25                | 25 | 25 | 25 | C7,C8,C13,C18,C19,C22,C24,C25,<br>CONT C30-C43,C48-C50 |
| 9    | 9    |                  | 1013466-12  | 2200.0 MMF 50V 10% X7R CER      | 1                 | 1  | 1  | 1  | C26  |
| 10   | 10   |                  | 1100114-00  | D 664 QS\75PCB PIV= 25V SP      | 11                | 11 | 11 | 11 | D4-D8,D11-D16  |
| 11   | 11   |                  | 1105796-00  | 1N 4004 PIV=400 I= 1A D041 SP   | 2                 | 2  | 2  | 2  | D9,D10   |
| 12   | 12   |                  | 1109502-03  | 1N 4742A VZ= 12.0 5% 1W         | 1                 | 1  | 1  | 1  | D3   |
| 13   | 13   |                  | 1110994-00  | 1N 751A VZ= 5.1 5% .40W         | 1                 | 1  | 1  | 1  | D1   |
| 14   | 14   |                  | 1114974-00  | 1N 4741A VZ= 11.0 5% 1W         | 1                 | 1  | 1  | 1  | D2   |
| 15   | 15   |                  | 1215006-06  | SKT,IC 24PIN DIP TIN PLATE      | 5                 | 5  | 5  | 5  | XE9,XE40,XE45,XE52,XE56                                |
| 16   | 16   |                  | 1211666-00  | SKT,IC 18PIN DIP GOLD PLATE     | 1                 | 1  | 1  | 1  | J2   |
| 17   | 17   |                  | 1214063-01  | HEADER.150 50POS STRAIGHT       | 1                 | 1  | 1  | 1  | J1   |
| 18   | 18   |                  | 1214828-00  | CONN, 25POS RCPT                | 1                 | 1  | 1  | 1  | J4   |
| 19   | 19   |                  | 1214829-00  | EDGE CARD 40POS RT ANGLE .12500 | 1                 | 1  | 1  | 1  | J3   |
| 20   | 20   |                  | 1215048-01  | CONN 7POS RT ANGLE              | 1                 | 1  | 1  | 1  | J5   |
| 21   | 21   |                  | 1300005-07  | R NETWORK 15-4.7K 5.0 % 16PIN   | 3                 | 3  | 3  | 3  | E8,E12,E59   |
| 22   | 22   |                  | 1300219-00  | 68.0 .25 W 5.0 % CC             | 1                 | 1  | 1  | 1  | R40  |
| 23   | 23   |                  | 1300229-00  | 100.0 .25 W 5.0 % CC            | 1                 | 1  | 1  | 1  | R34  |
| 24   | 24   |                  | 1300250-00  | 150.0 .25 W 5.0 % CC            | 3                 | 3  | 3  | 3  | R51,R68,R74  |
| 25   | 25   |                  | 1300271-00  | 220.0 .25 W 5.0 % CC            | 1                 | 1  | 1  | 1  | R41  |
| 26   | 26   |                  | 1300295-00  | 330.0 .25 W 5.0 % CC            | 3                 | 3  | 3  | 3  | R1,R46,R47   |
| 27   | 27   |                  | 1300315-00  | 470.0 .50 W 5.0 % CC            | 1                 | 1  | 1  | 1  | R11  |
| 28   | 28   |                  | 1300316-00  | 470.0 .25 W 5.0 % CC            | 1                 | 1  | 1  | 1  | R21  |

| REVISION HISTORY |               | BASIC PART NO: 5413009 |                         | DRN: T. SHETRAWSKI DATE: 30-MAR-78 |                                       | D I G I T A L         |                     |
|------------------|---------------|------------------------|-------------------------|------------------------------------|---------------------------------------|-----------------------|---------------------|
| ENG              | ECO NUMBER    | REV                    | SECTION A OF A          | CHK'D: T. SHETRAWSKI               | DATE: 11-MAR-78                       | TITLE PARTS LIST      |                     |
| JD               | 5413009-PN010 | N                      | SECTION.VARIATION INDEX | DES.ENG: D. PUCCI                  | DATE: 30-MAR-78                       | VT100 BASIC VIDEO     |                     |
| RP               | 5413009-MLO11 | P                      | [A] 03,04,05,99         | RESP.ENG.: D. PUCCI                | DATE: 30-MAR-78                       | DOCUMENT NUMBER       |                     |
| RP               | 5413009-MLO12 | R                      | [B]                     | MFG.ENG.: T. CORCIARI              | DATE: 30-MAR-78                       | K                     | PL 5413009-0-08P AB |
| RP               | 5413009-MLO13 | S                      | [C]                     | ASSEMBLY NUMBER: E-UA-5413009-C-0  | TOP DOCUMENT NUMBER: B-DD-5413009-0-0 | FILE NAME: MLO1AB.PLS |                     |
| RP               | 5413009-MLO14 | T                      | [D]                     |                                    |                                       | REV 23                |                     |
| RP               | 5413009-MLO15 | U                      | [E]                     |                                    |                                       |                       |                     |
| RP               | 5413009-MLO16 | V                      | [F]                     |                                    |                                       |                       |                     |
| DP               | 5413009-MLO17 | W                      | [H]                     |                                    |                                       |                       |                     |
| DP               | 5413009-MLO18 | Y                      | [J]                     |                                    |                                       |                       |                     |
| JD               | 5413009-MLO19 | Z                      | [K]                     |                                    |                                       |                       |                     |
| RP               | 5413009-MLO20 | AA                     | [L]                     |                                    |                                       |                       |                     |
| NW               | 5413009-MLO21 | AB                     | [M]                     |                                    |                                       |                       |                     |
|                  |               |                        | [N]                     |                                    |                                       |                       |                     |

"THIS DRAWING AND SPECIFICATIONS HEREIN, ARE THE PROPERTY OF DIGITAL EQUIPMENT CORPORATION AND SHALL NOT BE REPRODUCED OR COPIED OR USED IN WHOLE OR IN PART AS THE BASIS FOR THE MANUFACTURE OR SALE OF ITEMS WITHOUT WRITTEN PERMISSION. COPYRIGHT (C) 1981. DIGITAL EQUIPMENT CORPORATION"

| LINE | ITEM | DOCUMENT NUMBER | PART NUMBER | DESCRIPTION                      | QTY PER VARIATION |    |    |    | REFERENCE DESIGNATOR    |
|------|------|-----------------|-------------|----------------------------------|-------------------|----|----|----|-------------------------|
|      |      |                 |             |                                  | 03                | 04 | 05 | 99 |                         |
| 30   | 30   |                 | 1300365-00  | 1.0 K .25 W 5.0 % CC             | 2                 | 2  | 2  | 2  | R36, R67                |
| 31   | 31   |                 | 1300398-00  | 1.80 K .25 W 5.0 % CC            | 1                 | 1  | 1  | 1  | R31                     |
| 32   | 32   |                 | 1300417-00  | 2.20 K .25 W 5.0 % CC            | 5                 | 5  | 5  | 5  | R18, R20, R22, R23, R27 |
| 33   | 33   |                 | 1300426-00  | 2.70 K .25 W 5.0 % CC            | 1                 | 1  | 1  | 1  | R7                      |
| 34   | 34   |                 | 1300447-00  | 4.70 K .25 W 5.0 % CC            | 1                 | 1  | 1  | 1  | R25                     |
| 35   | 35   |                 | 1300479-00  | 10.0 K .25 W 5.0 % CC            | 4                 | 4  | 4  | 4  | R2, R6, R12, R26        |
| 36   | 36   |                 | 1301317-00  | 10.0 .25 W 5.0 % CC              | 1                 | 1  | 1  | 1  | R57                     |
| 37   | 37   |                 | 1301422-00  | 7.50 K .25 W 5.0 % CC            | 8                 | 8  | 8  | 3  | R59-R66                 |
| 38   | 38   |                 | 1301424-00  | 680.0 .25 W 5.0 % CC             | 1                 | 1  | 1  | 1  | R37                     |
| 39   | 39   |                 | 1301425-00  | 300.0 .25 W 5.0 % CC             | 1                 | 1  | 1  | 1  | R50                     |
| 40   | 40   |                 | 1301475-00  | 1.10 K .25 W 5.0 % CC            | 1                 | 1  | 1  | 1  | R32                     |
| 41   | 41   |                 | 1301874-00  | 5.60 K .25 W 5.0 % CC            | 1                 | 1  | 1  | 1  | R9                      |
| 42   | 42   |                 | 1301972-00  | 270.0 .25 W 5.0 % CC             | 1                 | 1  | 1  | 1  | R38                     |
| 43   | 43   |                 | 1302379-00  | 75.0 .25 W 5.0 % CC              | 4                 | 4  | 4  | 4  | R35, R45, R52, R54      |
| 44   | 44   |                 | 1302391-00  | 20.0 K .25 W 5.0 % CC            | 2                 | 2  | 2  | 2  | R43, R48                |
| 45   | 45   |                 | 1303178-00  | 620.0 .25 W 5.0 % CC             | 1                 | 1  | 1  | 1  | R49                     |
| 46   | 46   |                 | 1303187-00  | 820.0 K .25 W 5.0 % CC           | 1                 | 1  | 1  | 1  | R8                      |
| 47   | 47   |                 | 1304833-00  | 1.96 K .25 W 1.0 % RN550-F10     | 1                 | 1  | 1  | 1  | R15                     |
| 48   | 48   |                 | 1313580-00  | 350.0 .25 W 5.0 % CC             | 1                 | 1  | 1  | 1  | R39                     |
| 49   | 49   |                 | 1314573-00  | 35.0 .25 W 5.0 % CC              | 1                 | 1  | 1  | 1  | R33                     |
| 50   | 50   |                 | 1501913-00  | 2N 2904A PNP 600MW SI 60 40 Y    | 3                 | 3  | 3  | 3  | Q2, Q3, Q4              |
| 51   | 51   |                 | 1503409-00  | DEC6534D PNP 310MW SI 40 90      | 1                 | 1  | 1  | 1  | Q1                      |
| 52   | 52   |                 | 1509524-00  | 2N 3904 NPN 310MW SI 40 40 M     | 1                 | 1  | 1  | 1  | Q5                      |
| 53   | 53   |                 | 1810594-06  | XTAL 24.8832 MHZ                 | 1                 | 1  | 1  | 1  | Y1                      |
| 54   | 54   |                 | 1814830-00  | OSCILLATOR, XTAL 24.073 MHZ      | 1                 | 1  | 1  | 1  | E2                      |
| 55   | 55   |                 | 1909586-00  | 7404 INVERTER GATE-HEX 11        | 1                 | 1  | 1  | 1  | E38                     |
| 56   | 56   |                 | 1909928-00  | 7416 INVERTER GATE-HEX 11        | 2                 | 2  | 2  | 2  | E14, E18                |
| 57   | 57   |                 | 1909929-00  | 7417 BUFFER GATE-HEX 1INP        | 1                 | 1  | 1  | 1  | E29                     |
| 58   | 58   |                 | 1910236-00  | DEC 7426 NAND GATE-QUAD 2IN, 0   | 1                 | 1  | 1  | 1  | E7                      |
| 59   | 59   |                 | 1910322-00  | DEC 1488L DRIVER, LINE, QUAD, EI | 1                 | 1  | 1  | 1  | E39                     |
| 60   | 60   |                 | 1912847-00  | LS157 MUX 1 OF 2(QUAD)           | 1                 | 1  | 1  | 1  | E1                      |
| 61   | 61   |                 | 1912697-00  | LS174 FF-D HEX W/CLEAR           | 2                 | 2  | 2  | 2  | E49, E51                |
| 62   | 62   |                 | 1912799-00  | LS00 NAND-GATE-QUAD 2IN, P       | 2                 | 2  | 2  | 2  | E23, E34                |
| 63   | 63   |                 | 1912803-00  | 74LS04 INVERTER GATE, HEX        | 1                 | 1  | 1  | 1  | E19                     |
| 64   | 64   |                 | 1912815-00  | LS30 NAND GATE-SINGLE 3IN        | 1                 | 1  | 1  | 1  | E3                      |
| 65   | 65   |                 | 1912818-00  | LS38 NAND BUFFER-QUAD 2IN        | 1                 | 1  | 1  | 1  | E28                     |
| 66   | 66   |                 | 1912824-00  | LS74 FF-D DUAL EDGE TRIGG        | 2                 | 2  | 2  | 2  | E13, E22                |
| 67   | 67   |                 | 1912842-00  | LS138 DECODER-THREE INPUT,       | 1                 | 1  | 1  | 1  | E27                     |
| 68   | 68   |                 | 1912843-00  | LS139 DECODER, 2 OF 4(DUAL       | 1                 | 1  | 1  | 1  | E31                     |
| 69   | 69   |                 | 1912854-00  | LS193 COUNTER, SYNCHR, 4BIT,     | 3                 | 3  | 3  | 3  | E21, E25, E30           |
| 70   | 70   |                 | 1912863-00  | LS273 FF-D OCTAL W/CLEAR         | 2                 | 2  | 2  | 2  | E16, E20                |
| 71   | 71   |                 | 1913105-00  | PB 8224C DRIVER/GEN CLOCK F      | 1                 | 1  | 1  | 1  | E32                     |
| 72   | 72   |                 | 1913109-00  | 8228 BUFFER, DATA BASE FOR       | 1                 | 1  | 1  | 1  | E35                     |
| 73   | 73   |                 | 1913130-00  | DEC 1489A RECEIVER, LINE, QUAD,  | 2                 | 2  | 2  | 2  | E37, E44                |
| 74   | 74   |                 | 1914084-00  | 74S299 SHIFT REG, 8BIT RIGH      | 1                 | 1  | 1  | 1  | E10                     |
| 75   | 75   |                 | 1914156-00  | LM 393 VOLT. COMPARATOR DUAL     | 1                 | 1  | 1  | 1  | E48                     |
| 76   | 76   |                 | 1914213-00  | 81LS97 BUFFER GATE-OCTAL 2I      | 4                 | 4  | 4  | 4  | E15, E41, E42, E58      |
|      |      |                 | 1914214-00  | LS374 FF-D OCTAL EDGE TRIG       | 2                 | 2  | 2  | 2  | E26, E33                |

|   |   |   |   |   |   |   |                   |                |      |      |                 |     |
|---|---|---|---|---|---|---|-------------------|----------------|------|------|-----------------|-----|
| D | I | G | I | T | A | L | TITLE             | SECTION A OF A | SIZE | CODE | DOCUMENT NUMBER | REV |
|   |   |   |   |   |   |   | VT100 BASIC VIDEO |                | K    | PL   | 5413009-0-08P   | AB  |

| LINE | ITEM | DOCUMENT NUMBER  | PART NUMBER | DESCRIPTION                       | QTY PER VARIATION |     |     |     | REFERENCE DESIGNATOR         |
|------|------|------------------|-------------|-----------------------------------|-------------------|-----|-----|-----|------------------------------|
|      |      |                  |             |                                   | 03                | 04  | 05  | 99  |                              |
| 77   | 81   |                  | 1914423-01  | CUSTOM LSI-BIPOLAR LS             | 1                 | 1   | 1   | 1   | E6                           |
| 78   | 82   |                  | 1914424-01  | CUSTOM LSI-BIPOLAR L              | 1                 | 1   | 1   | 1   | E5                           |
| 79   | 83   |                  | 2112623-02  | DUAL BAUD RATE GEN/PROG DIVIDER   | 1                 | 1   | 1   | 1   | E50                          |
| 80   | 84   |                  | 2113105-01  | 1K MOS RAM 250NS                  | 2                 | 2   | 2   | 2   | E11, E17                     |
| 81   | 85   |                  | 2113107-01  | P 8251A PUSART COMM. INTERFA      | 1                 | 1   | 1   | 1   | E43                          |
| 82   | 86   |                  | 2113108-01  | 8080A-1 MICROPROCESSOR UNIT       | 1                 | 1   | 1   | 1   | E35                          |
| 83   | 87   |                  | 2113937-00  | UART 125K BUAD                    | 1                 | 1   | 1   | 1   | E55                          |
| 84   | 88   |                  | 2114212-00  | P 2114-2 RAM 1024X4, STATIC       | 6                 | 6   | 6   | 6   | E46, E47, E50, E51, E53, E54 |
| 85   | 89   |                  | 2114524-01  | ROM 100X14BIT, ERASABLE,          | 1                 | 1   | 1   | 1   | E24                          |
| 86   | 90   |                  | 23018E2-00  | E2-03                             | 1                 | 1   | 1   | 1   | E4                           |
| 87   | 91   |                  | 7424901-01  | BRACKET, GROUNDING, EIA CONNECTOR | 1                 | 1   | 1   | 1   |                              |
| 88   | 92   |                  | 9006732-00  | EYELET, ROLL FLANGE .1210DX .219  | 3                 | 3   | 3   | 3   |                              |
| 89   | 93   |                  | 9009185-00  | JUMPER, WIRE, INSULATED, BLACK B  | 4                 | 4   | 4   | 4   | W1, W3, W4, W7               |
| 90   | 94   |                  | 23051E2-00  | E2-02                             | 1                 | -   | -   | -   | E56                          |
| 91   | 95   |                  | 23032E2-00  | E2-02                             | 1                 | -   | -   | -   | E52                          |
| 92   | 96   |                  | 23033E2-00  | E2-02                             | 1                 | -   | -   | -   | E45                          |
| 93   | 97   |                  | 23034E2-00  | E2-02                             | 1                 | -   | -   | -   | E40                          |
| 94   | 98   |                  | 1001510-00  | .01 MFD 50V +80-20% Z5U CER       | 4                 | 4   | 4   | 4   | C16, C17, C23, C51           |
| 95   | 99   |                  | 1301320-00  | 1.20 K .25 W 5.0 % CC             | 1                 | 1   | 1   | 1   | R30                          |
| 96   | 100  |                  | 1301322-00  | 180.0 .25 W 5.0 % CC              | 1                 | 1   | 1   | 1   | R33                          |
| 97   | 101  |                  | 1301477-00  | 82.0 .25 W 5.0 % CC               | 1                 | 1   | 1   | 1   | R42                          |
| 98   | 102  |                  | 1300202-00  | 47.0 .25 W 5.0 % CC               | 1                 | 1   | 1   | 1   | R44                          |
| 99   | 103  |                  | 1303155-00  | 21.50 K .25 W 1.0 % RN55D-F10     | 1                 | 1   | 1   | 1   | R10                          |
| 100  | 104  |                  | 1309412-00  | 18.20 K .25 W 1.0 % RN55D-F10     | 1                 | 1   | 1   | 1   | R13                          |
| 101  | 105  |                  | 1609620-00  | 2.2 UH #RFCS2.2                   | 1                 | 1   | 1   | 1   | L1                           |
| 102  | 106  |                  | 1002608-00  | 18.0 MMF 100V 55200PPM MICA       | 1                 | 1   | 1   | 1   | C53                          |
| 103  | 107  |                  | 1013466-05  | 56.0 MMF 50V 5% CER               | 1                 | 1   | 1   | 1   | C47                          |
| 104  | 108  |                  | 23180E2-00  | E2-02                             | -                 | 1   | 1   | -   | E56                          |
| 105  | 109  |                  | 23181E2-00  | E2-02                             | -                 | 1   | 1   | -   | E52                          |
| 106  | 110  |                  | 23182E2-00  | E2-02                             | -                 | 1   | 1   | -   | E45                          |
| 107  | 111  |                  | 23183E2-00  | E2-02                             | -                 | 1   | 1   | -   | E40                          |
| 108  | 112  |                  | 1215006-07  | SKT, IC 28PIN DIP TIN PLATE       | 1                 | 1   | 1   | 1   | XE6                          |
| 109  | 113  |                  | 23094E2-00  | E2-03, E2-04                      | -                 | -   | 1   | -   | E9                           |
| 110  | 114  | A-SP-3700553-0-0 | 3700553-00  | PKG MODULE 5413009                | REF               | REF | REF | REF |                              |
| 111  | 115  | A-SP-3700428-0-0 | 3700428-00  | INSTR PKG. BULK CARTON 99-06476-  | REF               | REF | REF | REF |                              |
| 112  | 116  |                  | 1300005-03  | R NETWORK 13-10K 5.0 % 14PIN      | 1                 | 1   | 1   | 1   | E57                          |
| 113  | 117  |                  | 1000021-00  | 220.0 MMF 100V 5%200PPM MICA      | 1                 | 1   | 1   | 1   | C57                          |
| 114  | 118  |                  | 9107560-01  | WIRE, BUSS, 22AWG                 | A/R               | A/R | A/R | A/R |                              |
| 115  | 119  |                  | 1013466-24  | 47.0 MMF 50V 5% CER               | 3                 | 3   | 3   | 3   | C61, C58, C60                |
| 116  | 120  |                  | 1013466-19  | 470.0 MMF 50V 5% CER              | 1                 | 1   | 1   | 1   | C20                          |
| 117  | 121  |                  | 1618238-02  | BEAD, FERRITE .1380DX.330LG       | 6                 | 6   | 6   | 6   | L4-L9                        |
| 118  | 122  |                  | 1618437-00  | BEAD, FERRITE .2360DX.394LG       | 3                 | 3   | 3   | 3   | L2, L3, L10                  |

119 NOTE: FOR INDIVIDUAL FIELD SERVICE/CUSTOMER SPARES SHIPMENTS USE PACKAGING INSTRUCTION, A-SP-3700553-0-0;

|   |   |   |   |   |   |   |                   |                |      |      |                 |     |
|---|---|---|---|---|---|---|-------------------|----------------|------|------|-----------------|-----|
| D | I | G | I | T | A | L | TITLE             | SECTION A OF A | SIZE | CODE | DOCUMENT NUMBER | REV |
|   |   |   |   |   |   |   | VT100 BASIC VIDEO |                | K    | PL   | 5413009-0-DBP   | AB  |

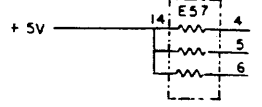
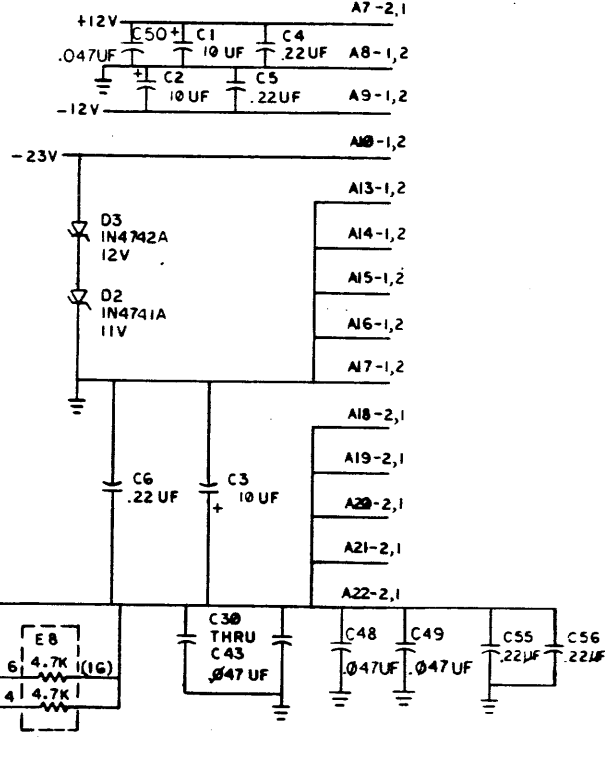
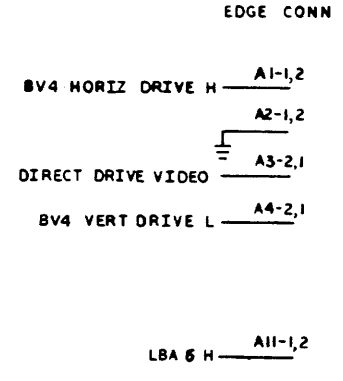
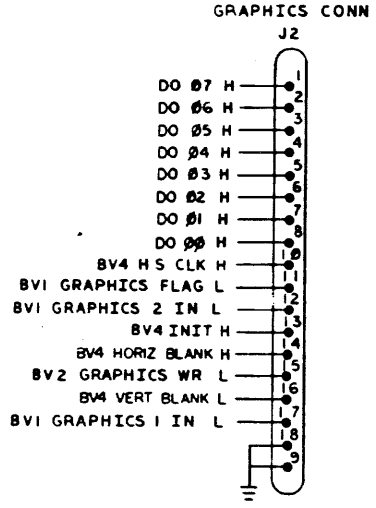
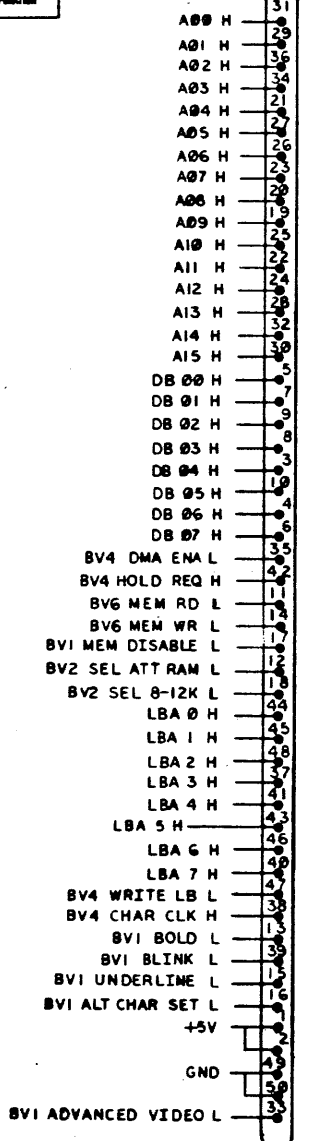
| LINE ITEM | DOCUMENT NUMBER | PART NUMBER | DESCRIPTION | QTY PER VARIATION: | REFERENCE DESIGNATOR |
|-----------|-----------------|-------------|-------------|--------------------|----------------------|
|           |                 |             |             | 03 04 05 99        |                      |

120 NOTE: FOR BULK INTERPLANT SHIPMENTS USE PACKAGING INSTRUCTION, A-SP-3700428-0-0 VARIATION -02  
 121 NOTE: L2 REQUIRES THE INSERTION OF 1.5 TURNS OF 22 AWG BUSS WIRE SEE DETAIL ON E-UA-5413009-C-0.  
 122 NOTE: L3 AND L10 REQUIRES THE INSERTION OF 2.5 TURNS OF 22 AWG BUSS WIRE  
 123 NOTE: SEE DETAIL ON E-UA-5413009-0-0.

|   |   |   |   |   |   |   |       |                   |                |      |      |                 |     |
|---|---|---|---|---|---|---|-------|-------------------|----------------|------|------|-----------------|-----|
| D | I | G | I | T | A | L | TITLE | VT100 BASIC VIDEO | SECTION A OF A | SIZE | CODE | DOCUMENT NUMBER | REV |
|   |   |   |   |   |   |   |       |                   |                | K    | PL   | 5413009-0-DBP   | AB  |

THIS DRAWING AND SPECIFICATIONS HEREBY ARE THE PROPERTY OF SPECTRA COMPUTER CORPORATION AND SHALL NOT BE REPRODUCED OR COPIED IN WHOLE OR IN PART OR IN ANY MANNER FOR THE MANUFACTURE OR SALE OF ANY PRODUCT WITHOUT WRITTEN PERMISSION. SPECTRA COMPUTER CORPORATION DEPARTMENT 0 79 25

ADVANCED VIDEO CONN.



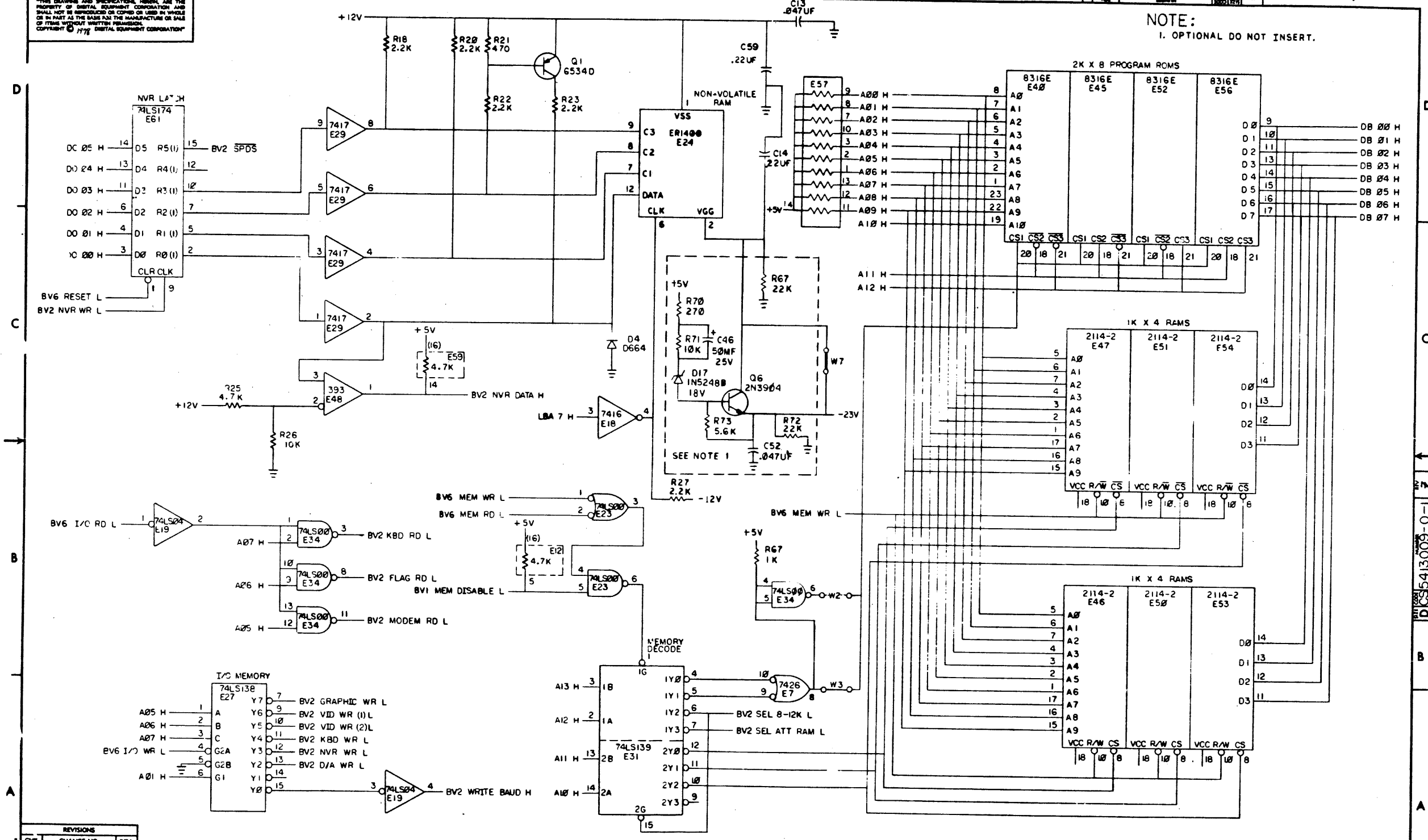
|      |          |          |       |        |
|------|----------|----------|-------|--------|
| REV. | DATE     | BY       | CHKD. | APP'D. |
| 1    | 11-14-78 | R. PUCCI |       |        |
| 2    | 11-14-78 | R. PUCCI |       |        |
| 3    | 11-14-78 | R. PUCCI |       |        |
| 4    | 11-14-78 | R. PUCCI |       |        |
| 5    | 11-14-78 | R. PUCCI |       |        |
| 6    | 11-14-78 | R. PUCCI |       |        |
| 7    | 11-14-78 | R. PUCCI |       |        |
| 8    | 11-14-78 | R. PUCCI |       |        |

|                        |                     |
|------------------------|---------------------|
| DRN. 100               | FIRST USED ON VT100 |
| CHKD. [Signature]      | APP'D. [Signature]  |
| ENG. [Signature]       | TITLE VT100         |
| PROJ. ENG. [Signature] | BASIC VIDEO         |
| PROD. [Signature]      |                     |
| NEXT HIGHER ASBY.      |                     |
| E-LA-5413009-0-0       | SIZE CODE NUMBER    |
| SCALE                  | D CS 5413009-0-1    |
| SHEET 1 OF 6           | DIST.               |

THIS DRAWING AND SPECIFICATIONS, HEREIN, ARE THE PROPERTY OF DIGITAL EQUIPMENT CORPORATION AND SHALL NOT BE REPRODUCED OR COPIED OR USED IN WHOLE OR IN PART AS THE BASIS FOR THE MANUFACTURE OR SALE OF ITEMS WITHOUT WRITTEN PERMISSION. COPYRIGHT © 1977 DIGITAL EQUIPMENT CORPORATION

1-0-6002179

NOTE:  
1. OPTIONAL DO NOT INSERT.

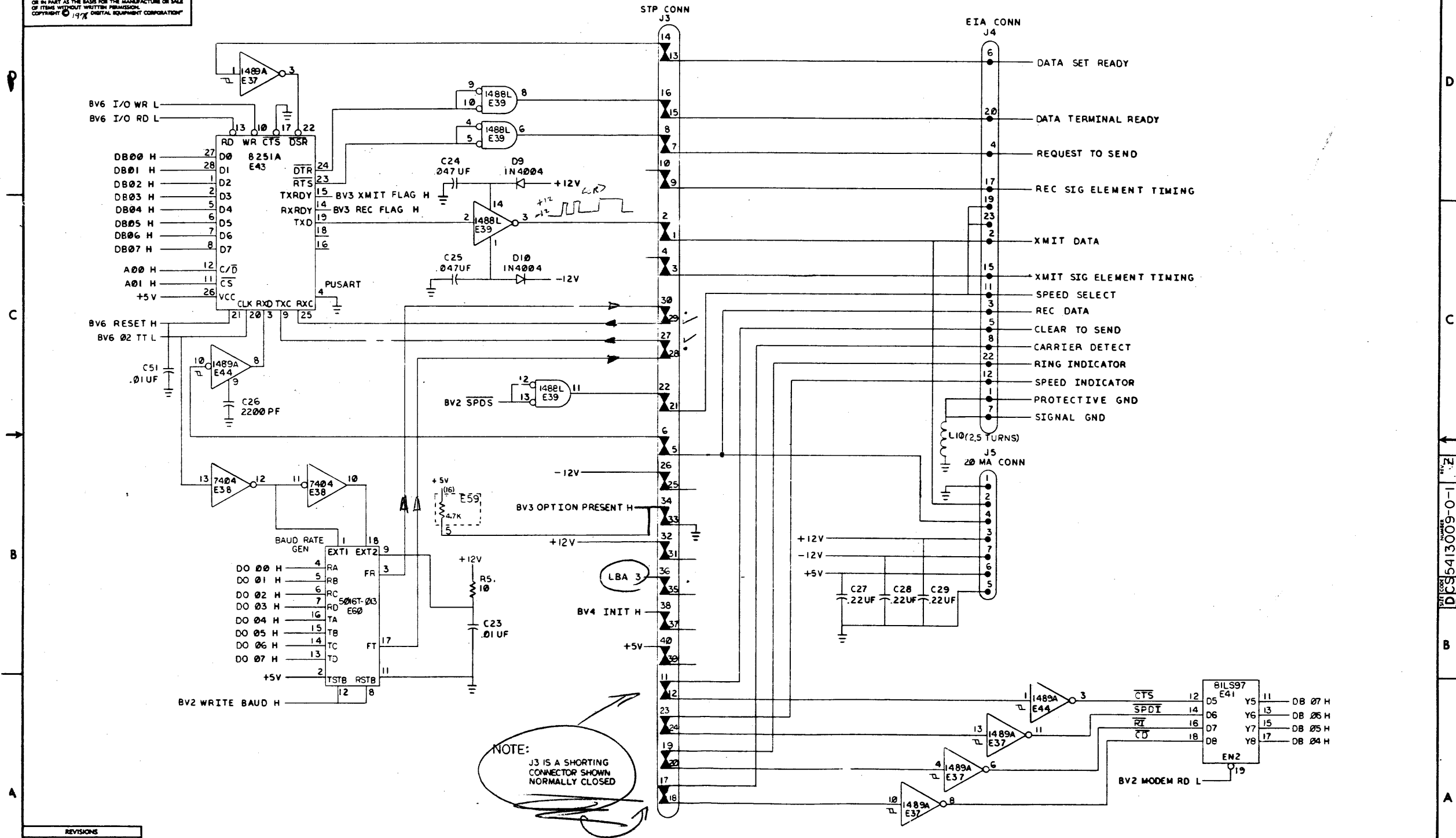


| REVISIONS |            |      |
|-----------|------------|------|
| CHK       | CHANGE NO. | REV. |
|           |            |      |

|                   |                  |           |        |      |
|-------------------|------------------|-----------|--------|------|
| TITLE             | VT100            | SIZE CODE | NUMBER | REV. |
| BASIC VIDEO (BV2) | D CS 5413009-0-1 |           |        | 2    |
| SCALE             | SHEET 2 OF 6     | DIST.     |        |      |

DCS 5413009-0-1

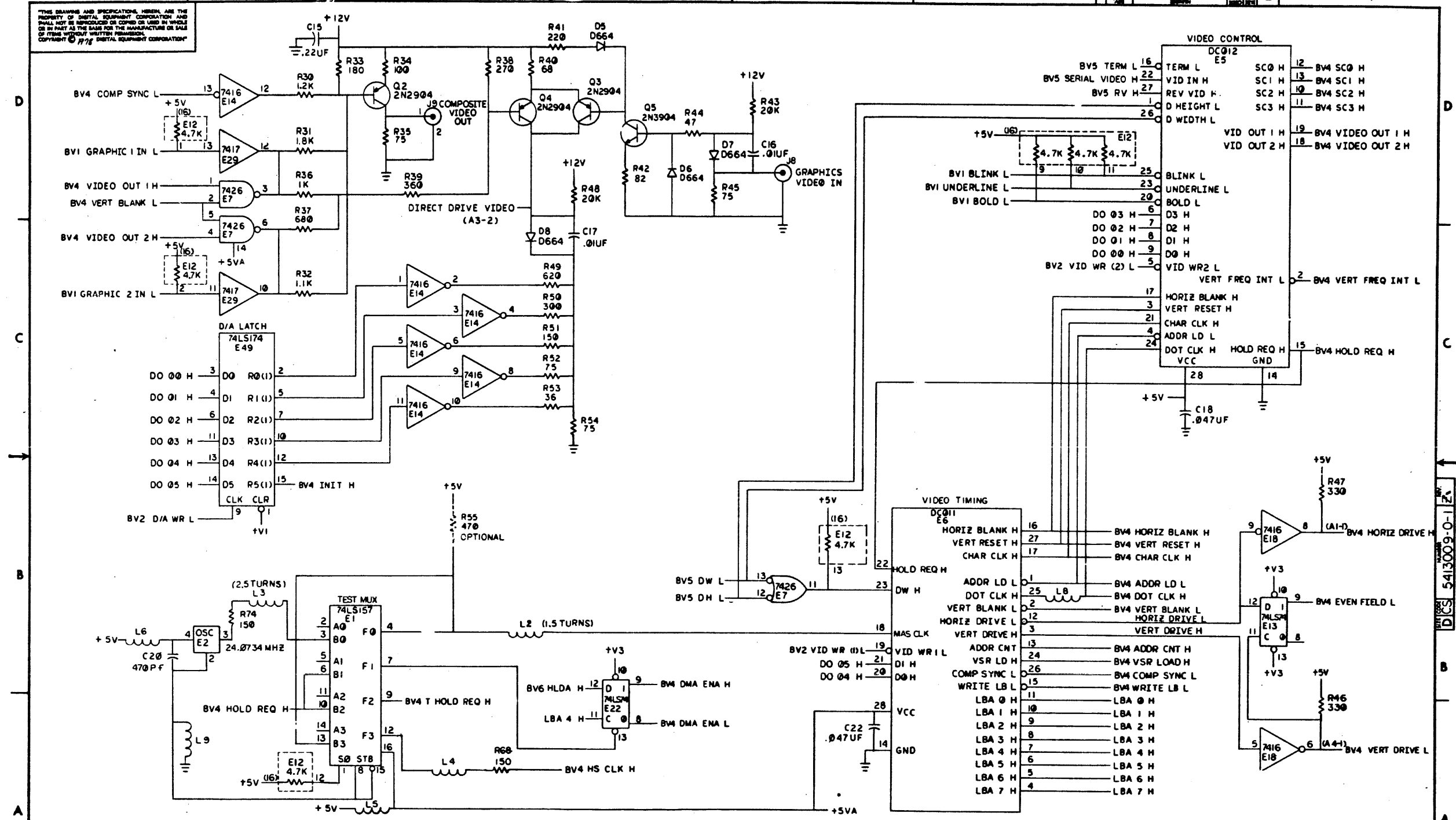
THIS DRAWING AND SPECIFICATIONS HEREIN ARE THE PROPERTY OF DIGITAL EQUIPMENT CORPORATION AND SHALL NOT BE REPRODUCED OR COPIED OR USED IN WHOLE OR IN PART AS THE BASIS FOR THE MANUFACTURE OR SALE OF ITEMS WITHOUT WRITTEN PERMISSION. COPYRIGHT © 1974 DIGITAL EQUIPMENT CORPORATION



| REVISIONS |            |      |
|-----------|------------|------|
| CHR.      | CHANGE NO. | REV. |
|           |            |      |

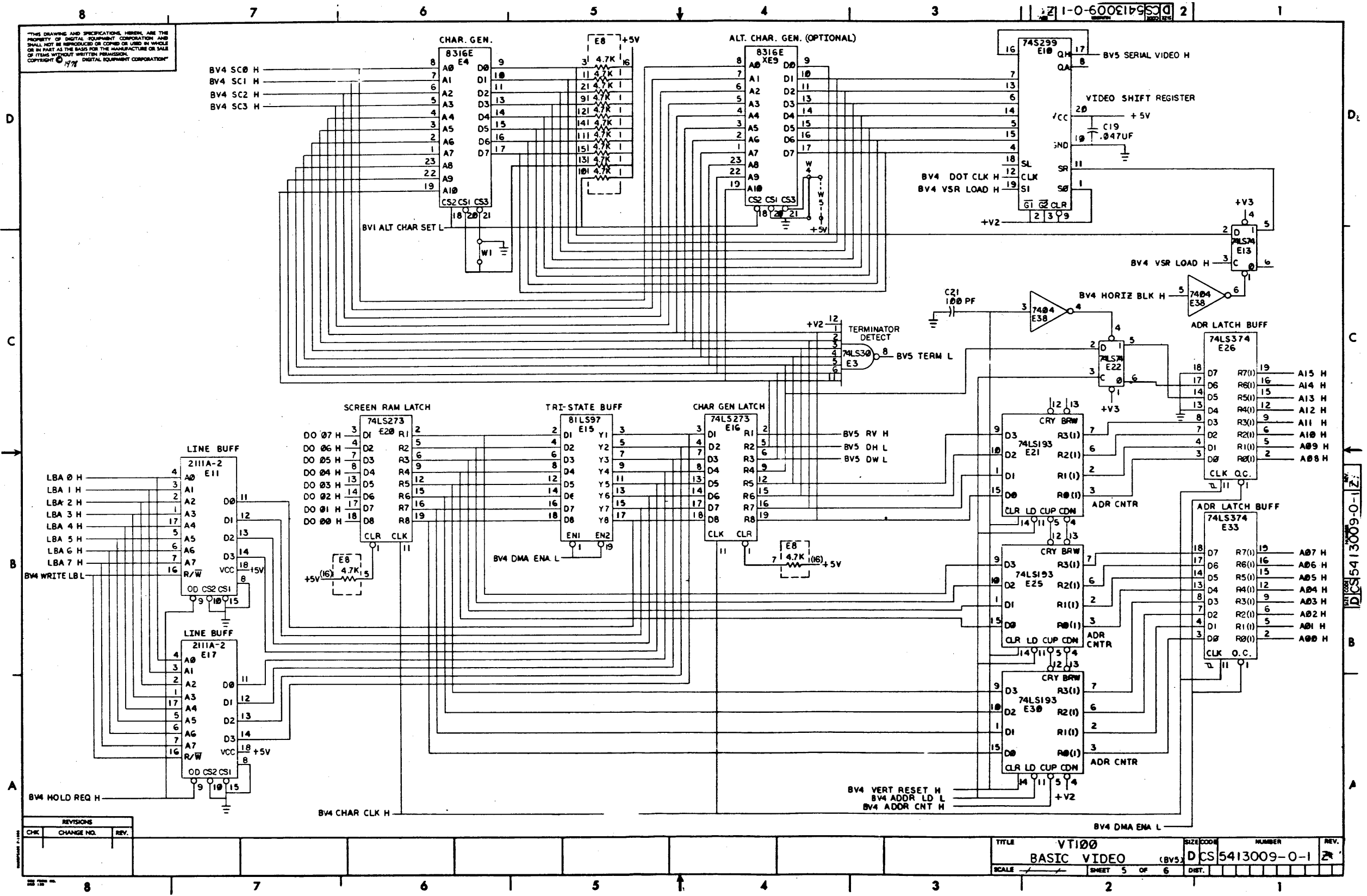


THE DRAWING AND SPECIFICATIONS HEREIN ARE THE PROPERTY OF DIGITAL EQUIPMENT CORPORATION AND SHALL NOT BE REPRODUCED OR COPIED OR USED IN WHOLE OR IN PART AS THE BASIS FOR THE MANUFACTURE OR SALE OF ITEMS WITHOUT WRITTEN PERMISSION. COPYRIGHT © 1974 DIGITAL EQUIPMENT CORPORATION



| REVISIONS |            |      |
|-----------|------------|------|
| CHK       | CHANGE NO. | REV. |
|           |            |      |

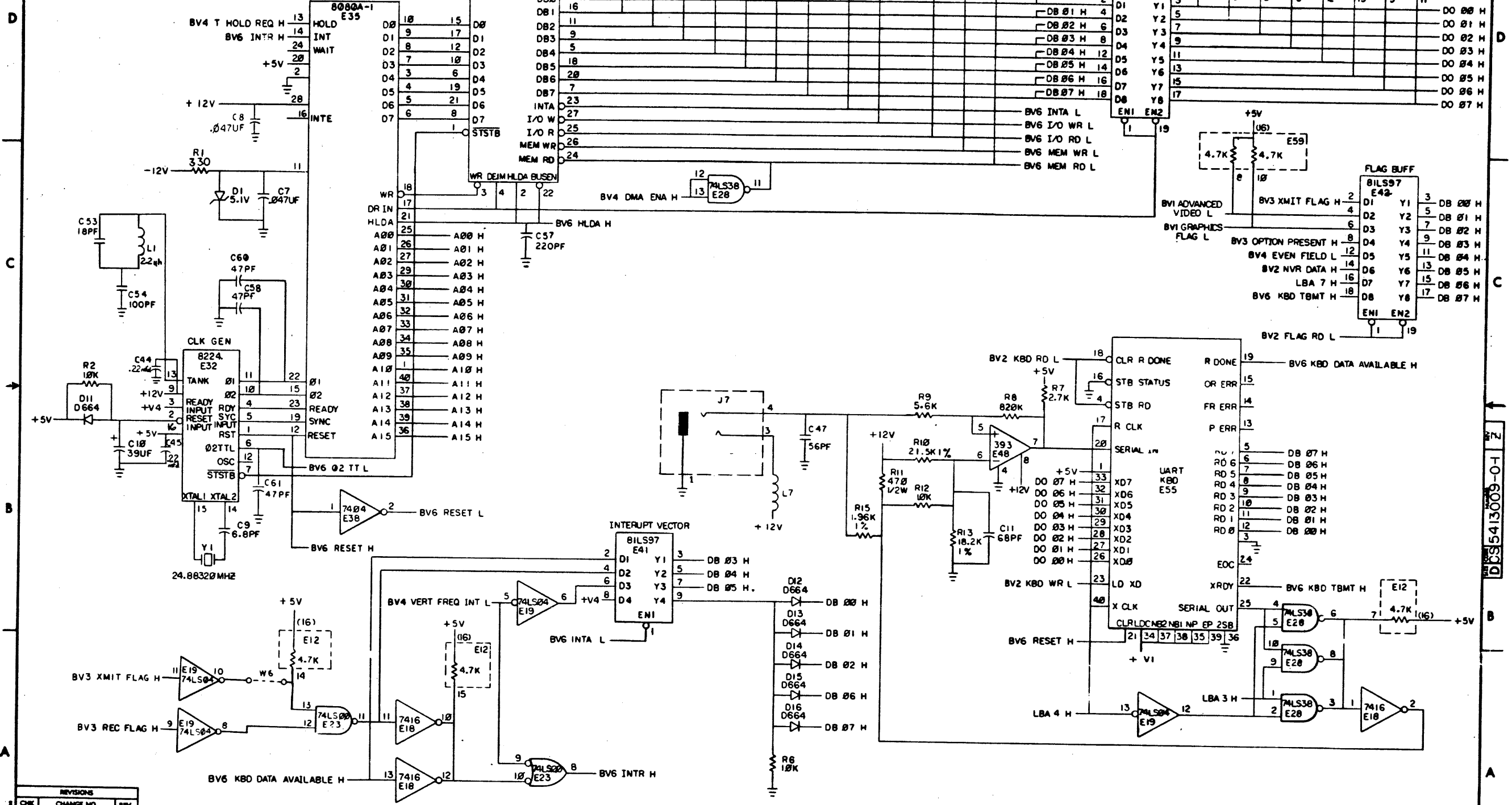
THIS DRAWING AND SPECIFICATIONS HEREIN ARE THE PROPERTY OF DIGITAL EQUIPMENT CORPORATION AND SHALL NOT BE REPRODUCED OR COPIED IN WHOLE OR IN PART AS THE BASIS FOR THE MANUFACTURE OR SALE OF ITEMS WITHOUT WRITTEN PERMISSION. COPYRIGHT © 1978 DIGITAL EQUIPMENT CORPORATION



| REVISIONS |            |      |
|-----------|------------|------|
| CHK       | CHANGE NO. | REV. |
|           |            |      |

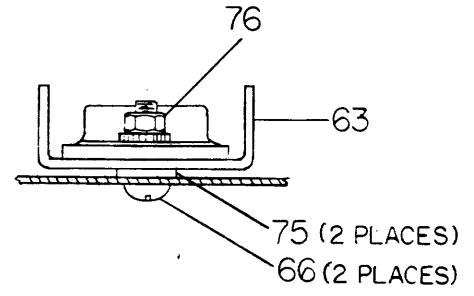
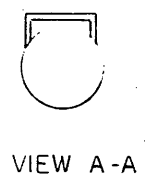
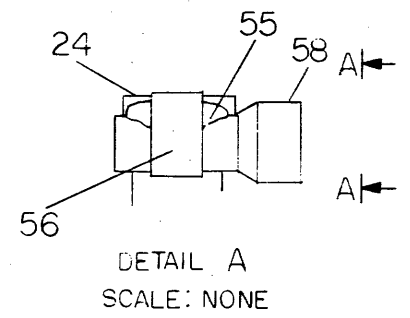
|                   |                 |           |        |      |
|-------------------|-----------------|-----------|--------|------|
| TITLE             | VT100           | SIZE CODE | NUMBER | REV. |
| BASIC VIDEO (BV5) | DCS 5413009-0-1 |           |        |      |
| SCALE             | SHEET 5 OF 6    | DIST.     |        |      |

THE DRAWING AND SPECIFICATIONS HEREIN ARE THE PROPERTY OF DIGITAL EQUIPMENT CORPORATION AND SHALL NOT BE REPRODUCED OR COPIED OR USED IN WHOLE OR IN PART WITHOUT THE WRITTEN PERMISSION OF DIGITAL EQUIPMENT CORPORATION.

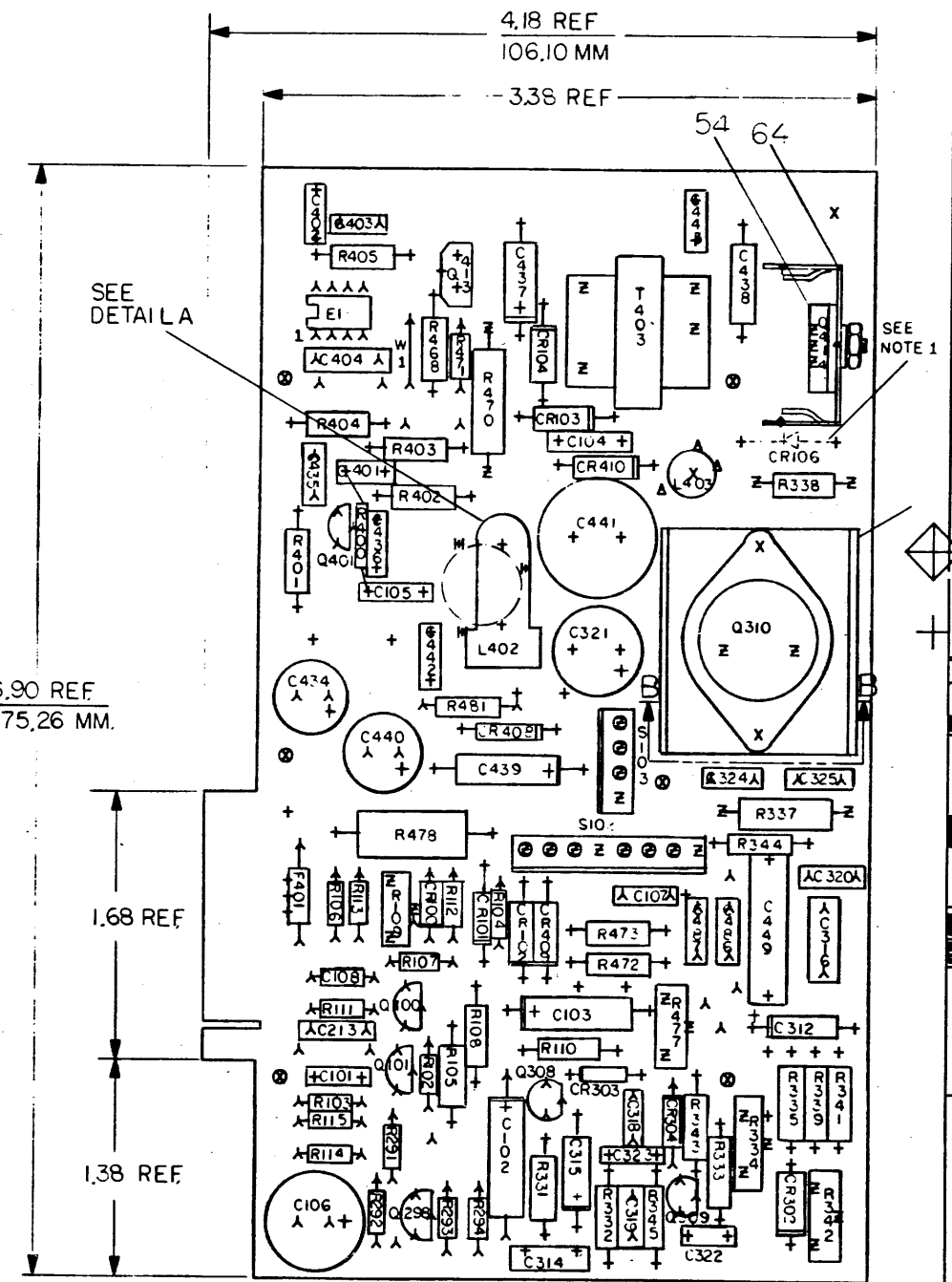
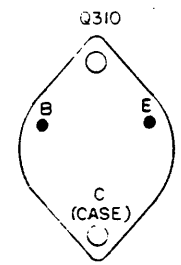
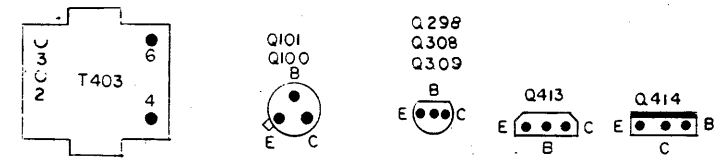


| REVISIONS |            |      |
|-----------|------------|------|
| CHK       | CHANGE NO. | REV. |
|           |            |      |
|           |            |      |

THIS DRAWING AND INFORMATION CONTAINED HEREIN IS THE PROPERTY OF DIGITAL EQUIPMENT CORPORATION AND SHALL NOT BE REPRODUCED OR TRANSMITTED IN ANY FORM OR BY ANY MEANS, ELECTRONIC OR MECHANICAL, INCLUDING PHOTOCOPYING, RECORDING, OR BY ANY INFORMATION STORAGE AND RETRIEVAL SYSTEM, WITHOUT PERMISSION IN WRITING FROM DIGITAL EQUIPMENT CORPORATION.



TRANSISTORS BOTTOM VIEW



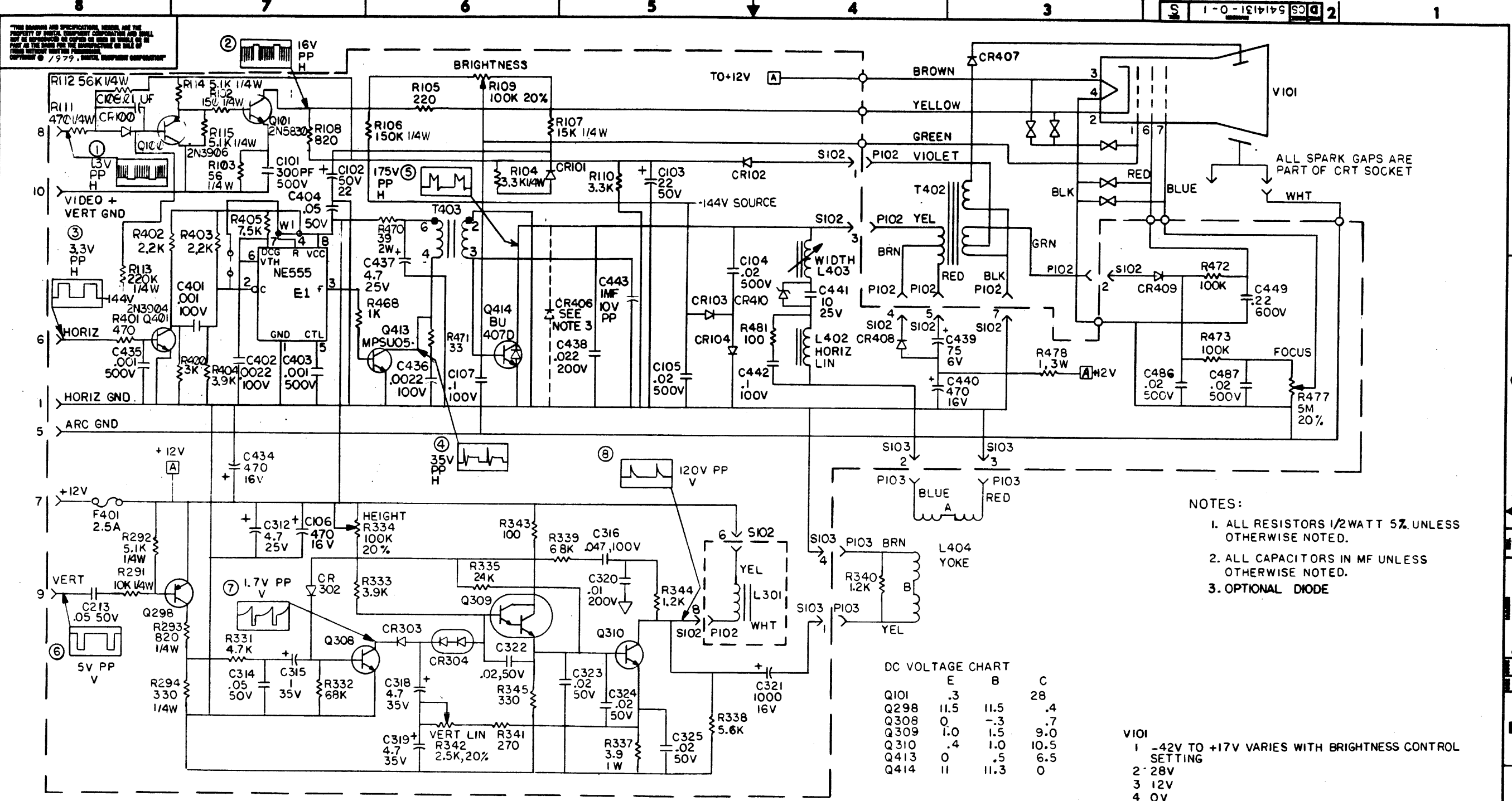
NOTES: 1 CR106 DO NOT USE

|        |          |      |       |
|--------|----------|------|-------|
| STEP   | ↑ Y AXIS | STEP | TIMES |
| REPEAT | → X AXIS | STEP | TIMES |

| CHK | CHANGE NO   | REV | DATE | BY | APP |
|-----|-------------|-----|------|----|-----|
|     | 5414131-0-0 | P   |      |    |     |
|     | REDRAWN     |     |      |    |     |
|     | BY PUCCI    |     |      |    |     |
|     | DATE        |     |      |    |     |

ETCH REV. D-PI

|                                 |  |          |                            |
|---------------------------------|--|----------|----------------------------|
| SIGNATURES                      |  | DATE     | digital                    |
| DRN. <i>[Signature]</i>         |  | 12-28-67 |                            |
| CHK'D. <i>[Signature]</i>       |  | 1-2-68   | TITLE<br>VT100 MONITOR     |
| MECH. ENG. <i>[Signature]</i>   |  | 5-11-67  |                            |
| PROJ. ENG. <i>[Signature]</i>   |  | 5-11-67  |                            |
| PROD. <i>[Signature]</i>        |  | 5-11-67  | NUMBER<br>D UA 5414131-0-0 |
| SCALE 2/1                       |  |          |                            |
| SHT. 1 OF 1                     |  |          | REV                        |
| NEXT HIGHER REV. B-00-5414131-0 |  |          | P                          |



- NOTES:
1. ALL RESISTORS 1/2 WATT 5% UNLESS OTHERWISE NOTED.
  2. ALL CAPACITORS IN MF UNLESS OTHERWISE NOTED.
  3. OPTIONAL DIODE

DC VOLTAGE CHART

|      | E    | B    | C    |
|------|------|------|------|
| Q101 | .3   |      | 28   |
| Q298 | 11.5 | 11.5 | .4   |
| Q308 | 0    | -.3  | .7   |
| Q309 | 1.0  | 1.5  | 9.0  |
| Q310 | .4   | 1.0  | 10.5 |
| Q413 | 0    | .5   | 6.5  |
| Q414 | 11   | 11.3 | 0    |

- V101
- 1 -42V TO +17V VARIES WITH BRIGHTNESS CONTROL SETTING
  - 2 28V
  - 3 12V
  - 4 0V
  - 5 NC
  - 6 +365V
  - 7 0V TO +360V VARIES WITH FOCUS CONTROL SETTING
- 2ND ANODE 12KV

| REV. | CHANGED BY | DATE    | REASON                  |
|------|------------|---------|-------------------------|
| 1    | C. JAMES   | 1-15-78 | INITIAL DESIGN          |
| 2    | R. PUCCI   | 1-25-78 | REVISED FOR MANUFACTURE |
| 3    | R. PUCCI   | 2-1-78  | REVISED FOR MANUFACTURE |
| 4    | R. PUCCI   | 2-1-78  | REVISED FOR MANUFACTURE |
| 5    | R. PUCCI   | 2-1-78  | REVISED FOR MANUFACTURE |
| 6    | R. PUCCI   | 2-1-78  | REVISED FOR MANUFACTURE |
| 7    | R. PUCCI   | 2-1-78  | REVISED FOR MANUFACTURE |
| 8    | R. PUCCI   | 2-1-78  | REVISED FOR MANUFACTURE |

|                         |          |               |                |
|-------------------------|----------|---------------|----------------|
| DRN. P. Miller          | 1 MAR 78 | FIRST USED ON | VT100          |
| ENGR. R. D. Miller      | 2-27-78  | TITLE         | VT100 MONITOR  |
| PROJ. ENG. J. P. Miller | 2-27-78  | SIZE          | COOK           |
| NEXT HIGHER ASSY.       |          | NUMBER        | REV.           |
| D-UA-5414131-0-C        |          | D             | CS 5414131-0-1 |
| SHEET 1                 | OF 1     | DIST.         |                |

| LINE ITEM | DOCUMENT NUMBER  | PART NUMBER | DESCRIPTION                      | QTY | PER | VARIATION | REFERENCE DESIGNATOR    |
|-----------|------------------|-------------|----------------------------------|-----|-----|-----------|-------------------------|
|           |                  |             |                                  | 00  | 01  |           |                         |
| 1         | E-MD-5014130-0-0 | 5014130-00  | DRILLED AND ETCH BOARD FOR VT100 | 1   |     |           |                         |
|           |                  | 1016544-00  | .1 MFD 100V 10% MYLR             | 2   | 2   |           | C107,C442               |
|           |                  | 1016546-00  | .22 MFD 660V 10% MET. MYLR       | 2   | 2   |           | C449                    |
|           |                  | 1016569-00  | .0022 MFD 100V 10% MYLR          | 2   | 2   |           | C436,C402               |
|           |                  | 1016639-00  | .01 MFD 200V 10% MYLR            | 1   | 1   |           | C320                    |
|           |                  | 1016547-00  | .022 MFD 200V 10% MYLR           | 1   | 1   |           | C438                    |
|           |                  | 1016548-00  | 1000 MFD 16V +50-10% AL EL       | 1   | 1   |           | C321                    |
|           |                  | 1010274-02  | 1 MFD 50V +80-20% CER            | 1   | 1   |           | C443                    |
|           |                  | 1016555-00  | 22 MFD 50V +50-10% AL EL         | 2   | 2   |           | C102,C103               |
|           |                  | 1016496-00  | 4.7MFD 35V 20% S.TANT            | 2   | 2   |           | C318,C319               |
|           |                  | 1016554-00  | 75 MFD 6V +75-10% AL EL          | 2   | 2   |           | C439                    |
|           |                  | 1016553-00  | 4.7MFD 25V +75-10% AL EL         | 2   | 2   |           | C312,C437               |
|           |                  | 1016558-00  | 10 MFD 25V 20% AL EL             | 1   | 1   |           | C441                    |
|           |                  | 1016557-00  | 470 MFD 16V +50-10% AL EL        | 3   | 3   |           | C106,C434,C440          |
|           |                  | 1016556-00  | .05 MFD 100V +80-20%Z5U DISC     | 3   | 3   |           | C213,C314,C404          |
|           |                  | 1016570-00  | .001 MFD 500V +80-20%Z5U DISC    | 2   | 2   |           | C435,C403               |
|           |                  | 1016571-00  | .02 MFD 500V +80-20%Z5U DISC     | 4   | 4   |           | C104,C105,C486,C487     |
|           |                  | 1016572-00  | 300.0 MMF 500V 10% XSP DISC      | 1   | 1   |           | C101                    |
|           |                  | 1000004-00  | .02 MFD 100V 20% Z5U DISC        | 4   | 4   |           | C322,C323,C324,C325     |
|           |                  | 1116474-00  | IN 4007 PIV=1000 I=1A D041       | 4   | 4   |           | CR101,CR102,CR103,CR104 |
|           |                  | 1116477-00  | IN 4156 PIV= 20 D035             | 1   | 1   |           | CR304                   |
|           |                  | 1114892-00  | IN 4747A VZ= 20.0 5% 1W          | 1   | 1   |           | CR410                   |
|           |                  | 1116476-00  | PIV=400                          | 1   | 1   |           | CR408                   |
|           |                  | 1216530-04  | MAGNET PINCUSHION 10 GAUSS       | 1   | 1   |           |                         |
|           |                  | 1003053-00  | .047 MFD 250V 20% MET. MYLR      | 1   | 1   |           | C316                    |
|           |                  | 1316522-00  | 2.50 K .25 W20.0 % POT           | 1   | 1   |           | R342                    |
|           |                  | 1316522-02  | 5.0 M .25 W20.0 % POT            | 1   | 1   |           | R477                    |
|           |                  | 1316522-01  | 100.0 K .25 W20.0 % POT          | 2   | 2   |           | R109,R334               |
|           |                  | 1317528-00  | 39.0 2.0 W10.0 % CC              | 1   | 1   |           | R470                    |
|           |                  | 1300479-00  | 10.0 K .25 W 5.0 % CC            | 1   | 1   |           | R291                    |

SEE NOTE

| REVISION HISTORY |               | BASIC PART NO: 5414131 |                         | DRN:                  | DATE:                | DIGITAL         |       |               |
|------------------|---------------|------------------------|-------------------------|-----------------------|----------------------|-----------------|-------|---------------|
| ENG              | ECO NUMBER    | REV                    | SECTION A OF A          | CHK'D:                | DATE:                | PARTS LIST      |       |               |
|                  | INITIAL       | P                      | SECTION VARIATION INDEX | KENT GLEEZEN          | 24-MAR-81            | VT100 MONITOR   |       |               |
| DP               | 5414131-ML007 | R                      | [A] 00,C1               | KENT GLEEZEN          | 24-MAR-81            |                 |       |               |
| DP               | 5414131-ML008 | S                      | [B]                     |                       |                      |                 |       |               |
|                  |               |                        | [C]                     | DES.ENG: DICK PUCCI   | 24-MAR-81            |                 |       |               |
|                  |               |                        | [D]                     |                       |                      | DOCUMENT NUMBER |       |               |
|                  |               |                        | [E]                     | RESP.ENG.: DICK PUCCI | 24-MAR-81            | SIZE:           | CODE: | NUMBER        |
|                  |               |                        | [F]                     |                       |                      | K               | PL    | 5414131-0-DBP |
|                  |               |                        | [H]                     | MFG.ENG.: AL JOHNS    | 24-MAR-81            |                 |       | S             |
|                  |               |                        | [J]                     | ASSEMBLY NUMBER:      | TOP DOCUMENT NUMBER: |                 |       | FILE NAME:    |
|                  |               |                        | [K]                     | D-UA-5414131-0-0      | B-DD-5414131-0-0     |                 |       | 22387S.PLS    |
|                  |               |                        | [L]                     |                       |                      |                 |       | EDIT #        |
|                  |               |                        | [M]                     |                       |                      |                 |       | 11            |
|                  |               |                        | [N]                     |                       |                      |                 |       |               |

"THIS DRAWING AND SPECIFICATIONS HEREIN, ARE THE PROPERTY OF DIGITAL EQUIPMENT CORPORATION AND SHALL NOT BE REPRODUCED OR COPIED OR USED IN WHOLE OR IN PART AS THE BASIS FOR THE MANUFACTURE OR SALE OF ITEMS WITHOUT WRITTEN PERMISSION. COPYRIGHT (C) 1982. DIGITAL EQUIPMENT CORPORATION"

| LINE | ITEM | DOCUMENT NUMBER | PART NUMBER | DESCRIPTION                        | QTY PER VARIATION |     | REFERENCE DESIGNATOR |
|------|------|-----------------|-------------|------------------------------------|-------------------|-----|----------------------|
|      |      |                 |             |                                    | 00                | 01  |                      |
| 31   | 31   |                 | 1300445-00  | 4.70 K .50 W 5.0 % CC              | 1                 | 1   | R331                 |
| 32   | 32   |                 | 1316504-00  | 68.0 K .50 W 5.0 % CC              | 1                 | 1   | R332                 |
| 33   | 33   |                 | 1300385-00  | 1.20 K .50 W 5.0 % CC              | 1                 | 1   | R344                 |
| 34   | 34   |                 | 1316506-00  | 100.0 K .50 W 5.0 % CC             | 2                 | 2   | R472, R473           |
| 35   | 35   |                 | 1316508-00  | 5.60 K .50 W 5.0 % CC              | 1                 | 1   | R339                 |
| 36   | 36   |                 | 1316509-00  | 3.90 1.0 W 5.0 % CC                | 1                 | 1   | R337                 |
| 37   | 37   |                 | 1302396-00  | 150.0 K .25 W 5.0 % CC             | 1                 | 1   | R106                 |
| 38   | 38   |                 | 1300228-00  | 100.0 .50 W 5.0 % CC               | 2                 | 2   | R481, R343           |
| 39   | 39   |                 | 1300364-00  | 1.0 K .50 W 5.0 % CC               | 1                 | 1   | R469                 |
| 40   | 40   |                 | 1300296-00  | 330.0 .50 W 5.0 % CC               | 1                 | 1   | R345                 |
| 41   | 41   |                 | 1300356-00  | 820.0 .50 W 10.0 % CC              | 1                 | 1   | R109                 |
| 42   | 42   |                 | 1300461-00  | 6.80 K .50 W 5.0 % CC              | 1                 | 1   | R339                 |
| 43   | 43   |                 | 1300440-00  | 3.30 K .50 W 5.0 % CC              | 1                 | 1   | R110                 |
| 44   | 44   |                 | 1300496-00  | 15.0 K .25 W 5.0 % CC              | 1                 | 1   | R107                 |
| 45   | 45   |                 | 1300274-00  | 220.0 .50 W 5.0 % CC               | 1                 | 1   | R105                 |
| 46   | 46   |                 | 1300285-00  | 270.0 .50 W 5.0 % CC               | 1                 | 1   | R341                 |
| 47   | 47   |                 | 1316525-00  | 1.0 3.0 W 10.0 % WW                | 1                 | 1   | R478                 |
| 48   | 48   |                 | 1509525-00  | 2N 3906 PNP 310MW SI 40100 Y       | 1                 | 1   | Q298                 |
|      |      |                 | CONT        |                                    |                   |     |                      |
| 49   | 49   |                 | 1516492-00  | 2N 5830 NPN 1W SI100 1             | 1                 | 2   | Q298, Q100           |
| 50   | 50   |                 | 1509524-00  | 2N 3904 NPN 310MW SI 40 40 M       | 2                 | 2   | Q101                 |
| 51   | 51   |                 | 1516491-00  | 2N 6427 NPN 1.5W SI 40 1.5         | 1                 | 1   | Q308, Q401           |
| 52   | 52   |                 | 1516532-00  | NPN 125W SI250 25                  | 1                 | 1   | Q309                 |
| 53   | 53   |                 | 1516490-00  | MPSU05 NPN 10W SI                  | 1                 | 1   | Q310                 |
| 54   | 54   |                 | 1517534-00  | BU 407D NPN POWER TRANS T0220      | 1                 | 1   | Q413                 |
| 55   | 55   |                 | 4901303-00  | WAX                                | A/R               | A/R | Q414                 |
| 56   | 56   |                 | 9107685-00  | TUBING SHRINK 1/2 DIA.EXP. UL      | A/R               | A/R |                      |
| 57   | 57   |                 | 1616309-00  | XFMR, HORIZONTAL DRIVE             | 1                 | 1   | T403                 |
| 58   | 58   |                 | 1616538-00  | COIL, HORIZONTAL, LINEAR           | 1                 | 1   | L402                 |
| 59   | 59   |                 | 1616536-00  | XFMR HORIZONTAL WIDTH              | 1                 | 1   | L403                 |
| 60   | 60   |                 | 1210929-05  | FUSE SUB-MINI 2.500A, 125V, A      | 1                 | 1   | F401                 |
| 61   | 61   |                 | 1216521-01  | HEADER 4POS                        | 1                 | 1   | S102                 |
| 62   | 62   |                 | 1216521-00  | HEADER 4POS                        | 1                 | 1   | S103                 |
| 63   | 63   |                 | 1216471-00  | HEAT SINK, BOTTOM ONLY             | 1                 | 1   |                      |
| 64   | 64   |                 | 1217561-00  | HEAT SINK, T0-220, YELLOW CHROMATE | 1                 | 1   |                      |
| 65   | 65   |                 | 4901304-00  | COMPOUND, SILICONE THERMAL, VISC   | A/R               | A/R |                      |
| 66   | 66   |                 | 9006022-01  | SCREW, PAN, PHIL 6-32X 3/8 SS      | 2                 | 2   |                      |
| 67   | 67   |                 | 1001776-00  | 1 MFD 35V 10% S.TANT               | 1                 | 1   | C315                 |
| 68   | 68   |                 | 1304837-00  | 24.0 K .25 W 5.0 % CC              | 1                 | 1   | R335                 |
| 69   | 69   |                 | 1300315-00  | 470.0 .50 W 5.0 % CC               | 1                 | 1   | R401                 |
| 70   | 70   |                 | 1300415-00  | 2.20 K .50 W 5.0 % CC              | 2                 | 2   | R402, R403           |
| 71   | 71   |                 | 1300443-00  | 3.90 K .50 W 5.0 % CC              | 2                 | 2   | R404, R333           |
| 72   | 72   |                 | 1300467-00  | 7.50 K .50 W 5.0 % CC              | 1                 | 1   | R405                 |
| 73   | 73   |                 | 1000042-00  | 1000.0 MMF 100V 5%200PPM MICA      | 1                 | 1   | C401                 |
| 74   | 74   |                 | 1911944-00  | 555CN TIMER, FUNCT. BLOCK          | 1                 | 1   | E1                   |
| 75   | 75   |                 | 9006659-00  | WASHER, FLAT, .375 O.D. X .156 I   | 2                 | 2   |                      |
| 76   | 76   |                 | 9008185-00  | NUT, KEP 6-32X 1/4 AF              | 3                 | 3   |                      |
| 77   | 77   |                 | 1300197-00  | 33.0 .25 W 5.0 % CC                | 1                 | 1   | R471                 |

|   |   |   |   |   |   |   |       |               |                |      |      |                 |     |
|---|---|---|---|---|---|---|-------|---------------|----------------|------|------|-----------------|-----|
| D | I | G | I | T | A | L | TITLE | VT100 MONITOR | SECTION A OF A | SIZE | CODE | DOCUMENT NUMBER | REV |
|   |   |   |   |   |   |   |       |               |                | K    | PL   | 5414131-0-DBP   | S   |

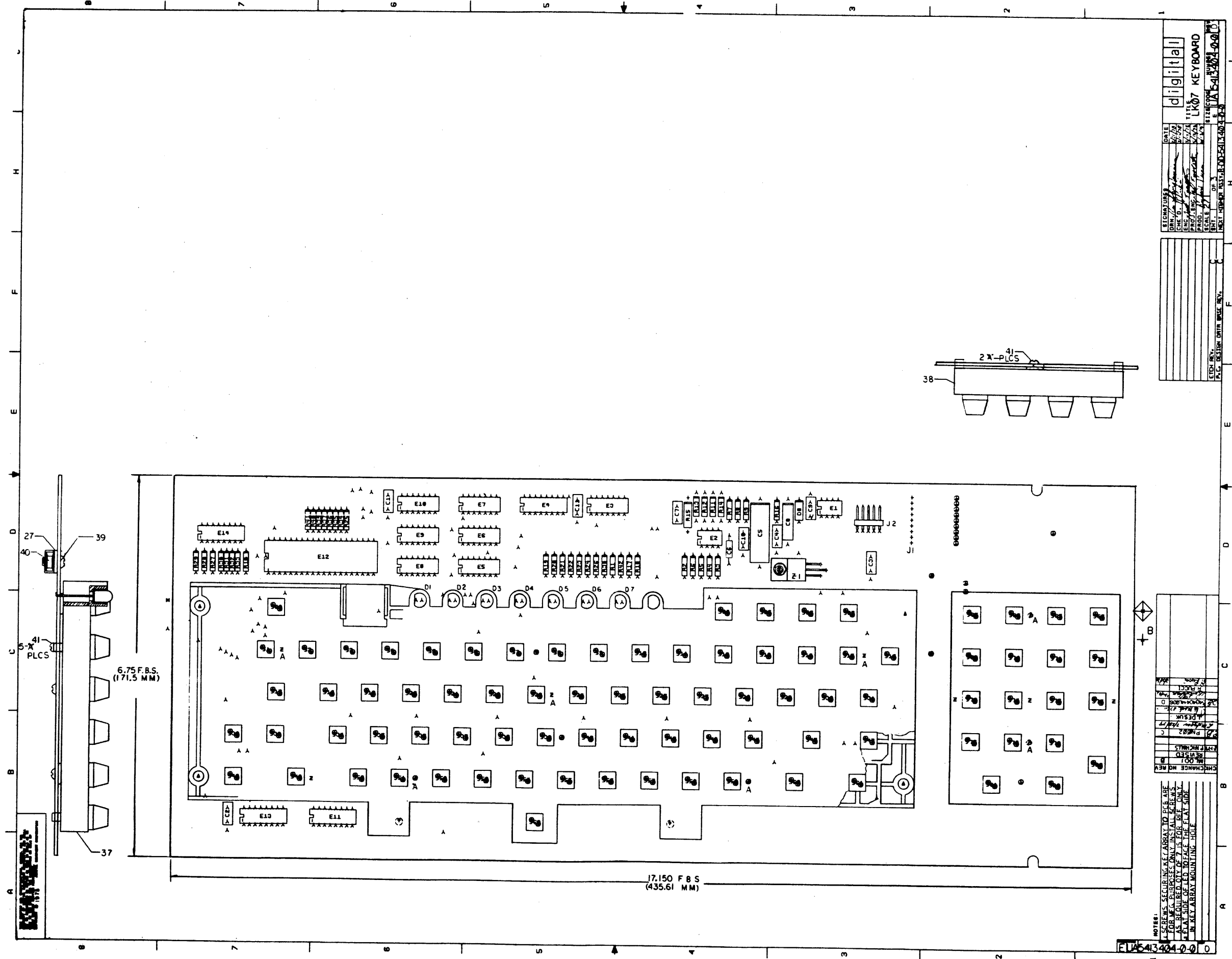
PARTS LIST

| LINE | ITEM | DOCUMENT NUMBER | PART NUMBER | DESCRIPTION                        | QTY | PER | VARIATION         | REFERENCE DESIGNATOR |
|------|------|-----------------|-------------|------------------------------------|-----|-----|-------------------|----------------------|
|      |      |                 |             |                                    | 00  | 01  |                   |                      |
| 78   | 78   |                 | 1300432-00  | 3.0 K .25 W 5.0 % CC               | 1   | 1   | R400              |                      |
| 79   | 79   |                 | 1300439-00  | 3.30 K .25 W 5.0 % CC              | 1   | 1   | R104              |                      |
| 80   | 80   |                 | 1301775-00  | 820.0 .25 W 5.0 % CC               | 1   | 1   | R293              |                      |
| 81   | 81   |                 | 1300295-00  | 330.0 .25 W 5.0 % CC               | 1   | 1   | R294              |                      |
| 82   | 82   |                 | 9107776-99  | WIRE(WRAP)22AWG,IPVC UL1429 WH A/R | 1   | 1   | W1                |                      |
| 83   | 83   |                 | 9009185-00  | JUMPER, WIRE, INSULATED, BLACK B   | 1   | 1   | R102,R103         |                      |
| 84   | 84   |                 | 1302602-00  | 56.0 .25 W 5.0 % CC                | 2   | 1   | R103              |                      |
|      |      |                 | CONT        |                                    |     | 1   | R102              |                      |
| 85   | 85   |                 | 1300250-00  | 150.0 .25 W 5.0 % CC               | 1   | 1   | R111              |                      |
| 86   | 86   |                 | 1300316-00  | 470.0 .25 W 5.0 % CC               | 1   | 1   | R112              |                      |
| 87   | 87   |                 | 1302395-00  | 56.0 K .25 W 5.0 % CC              | 1   | 1   | R113              |                      |
| 88   | 88   |                 | 1302092-00  | 220.0 K .25 W 5.0 % CC             | 1   | 1   | R292              |                      |
| 89   | 89   |                 | 1312930-00  | 5.10 K .25 W 5.0 % CC              | 1   | 3   | R292,R114,R115    |                      |
|      |      |                 | CONT        |                                    |     | 1   | C108              |                      |
| 90   | 90   |                 | 1001610-00  | .01 MFD 50V +80-20% Z5U CER        | 2   | 1   | CR302,CR303       |                      |
| 91   | 91   |                 | 1116475-00  | IN 4148 PIV= 75 D035               | 2   | 3   | CR302,CR303,CR100 |                      |
|      |      |                 | CONT        |                                    |     | 1   | CR409             |                      |
| 92   | 92   |                 | 1111854-01  | MR 817 PIV=800 I= 1A D041 S        | 1   | 1   |                   |                      |

93 NOTE: P/N 1000051-00 CAN BE USED AS AN ALTERNATE FOR P/N 1003053-00.

|   |   |   |   |   |   |   |               |                |      |      |                 |     |
|---|---|---|---|---|---|---|---------------|----------------|------|------|-----------------|-----|
| D | I | G | I | T | A | L | TITLE         | SECTION A OF A | SIZE | CODE | DOCUMENT NUMBER | REV |
|   |   |   |   |   |   |   | VT100 MONITOR |                | K    | PL   | 5414131-0-DBP   | S   |





|                  |      |               |
|------------------|------|---------------|
| DESIGNED BY      | DATE | digital       |
| CHECKED BY       | DATE | LK07 KEYBOARD |
| PROJECT          | DATE |               |
| PROJ. NO.        | DATE |               |
| REV. NO.         | DATE |               |
| REV. DESCRIPTION | DATE |               |

|                         |  |
|-------------------------|--|
| ETCH REV.               |  |
| P.L.C. DESIGN DATA REV. |  |

|     |    |     |      |             |
|-----|----|-----|------|-------------|
| CHG | NO | REV | DATE | DESCRIPTION |
|     |    |     |      |             |
|     |    |     |      |             |
|     |    |     |      |             |
|     |    |     |      |             |
|     |    |     |      |             |

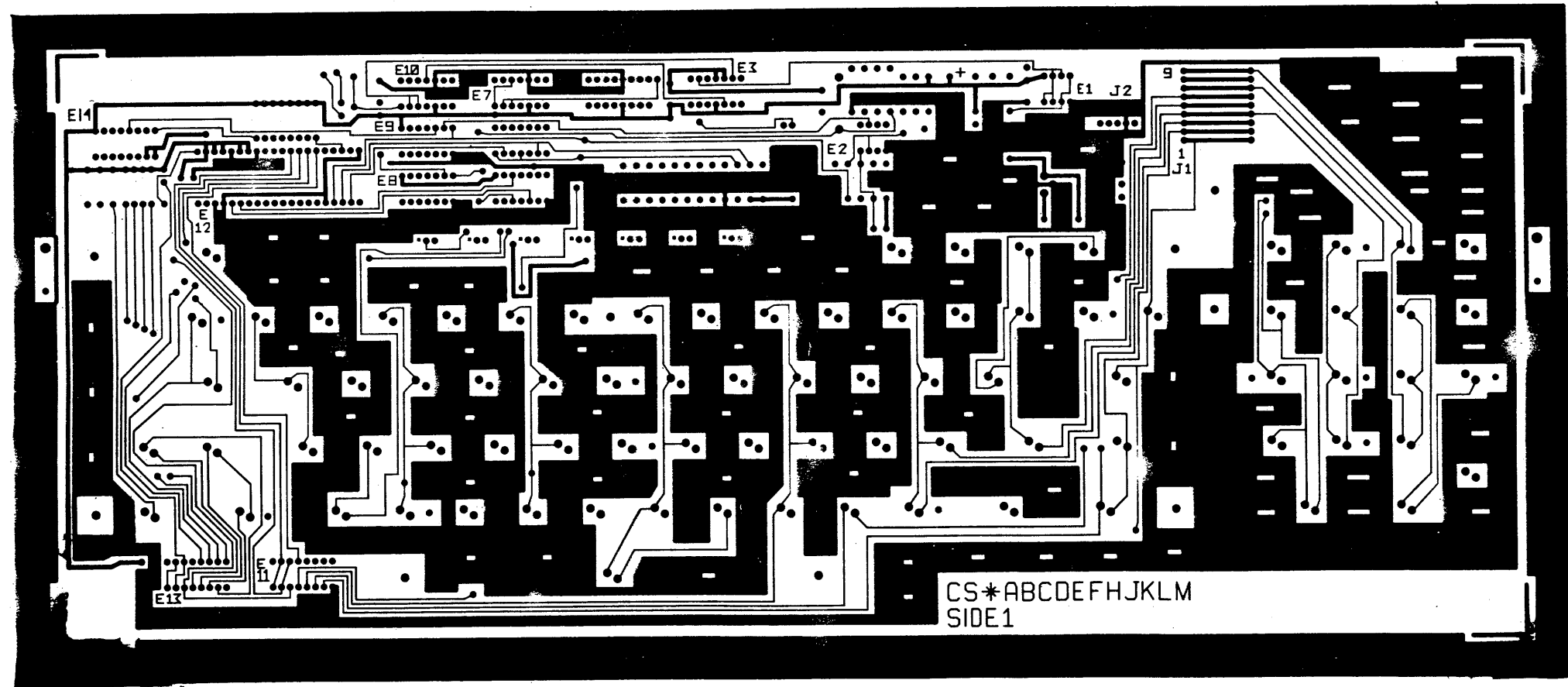
NOTE: SECURING ARRAY TO PCB ARE REQUIRED. CITY OF THE BOARD AS REQUIRED. CITY OF THE BOARD AS REQUIRED. CITY OF THE BOARD AS REQUIRED. CITY OF THE BOARD AS REQUIRED. CITY OF THE BOARD AS REQUIRED.

FLU6413404-0-0

8 7 6 5 4 3 2 1

1979

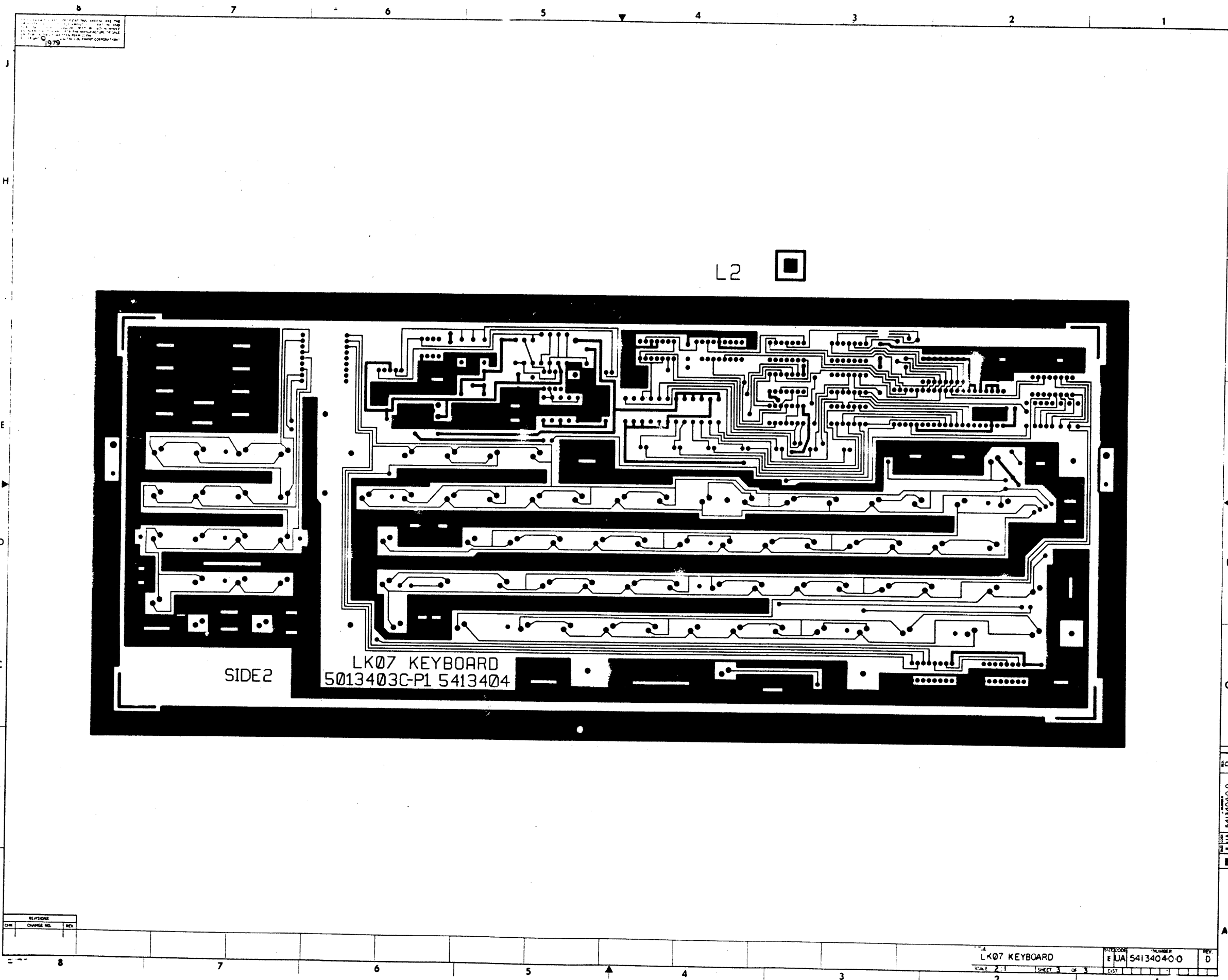
5413404  
5013403C-PI L1



CS\*ABCDEFGHIJKLM  
SIDE 1

| REVISIONS |            |      |
|-----------|------------|------|
| CHK       | CHANGE NO. | REV. |
|           |            |      |

8 7 6 5 4 3 2 1



1979

L2

SIDE 2

LK07 KEYBOARD  
5013403C-P1 5413404

| REVISIONS |            |      |
|-----------|------------|------|
| CHK       | CHANGE NO. | REV. |
|           |            |      |

|               |  |           |           |      |
|---------------|--|-----------|-----------|------|
| LK07 KEYBOARD |  | SIZE CODE | NUMBER    | REV. |
| SCALE 2       |  | E UA      | 5413404-0 | D    |
| SHEET 3 OF 3  |  | DIST      |           |      |

LMA 5413404-0 D

| LINE | ITEM | DOCUMENT NUMBER  | PART NUMBER | DESCRIPTION                      | QTY | PER VARIATION | REFERENCE DESIGNATOR               |
|------|------|------------------|-------------|----------------------------------|-----|---------------|------------------------------------|
| 1    | 1    | D-MD-5013403-0-0 | 5013403-00  | DRILL & ETCH DRAWING             | 1   |               |                                    |
| 2    | 2    |                  | 1000014-00  | 68.0 MHF 100V 5%200PPM MICA      | 1   |               | C7                                 |
| 3    | 3    |                  | 1000075-00  | 25 MFD 25V +75-10% AL EL         | 1   |               | C5                                 |
| 4    | 4    |                  | 1001634-00  | 1600.0 MHF 100V 5%200PPM MICA    | 1   |               | C6                                 |
| 5    | 5    |                  | 1005306-00  | 6.8MFD 35V 10% S.TANT            | 1   |               | C8                                 |
| 6    | 6    |                  | 1012784-00  | .047 MFD 50V +80-20% CER         | 6   |               | C1, C2, C4, C9-C11                 |
| 7    | 7    |                  | 1105275-00  | D 672 TR= 15NS PIV= 60V SI       | 1   |               | D8                                 |
| 8    | 8    |                  | 1110324-01  | LED 1MCD@10MA PIV=3 .750 MIN. LE | 7   |               | D1-D7                              |
| 9    | 9    |                  | 1215048-00  | CONN SPOS RT ANGLE               | 1   |               | J2                                 |
| 10   | 10   |                  | 1300309-00  | 390.0 .25 W 5.0 % CC             | 2   |               | R16, R42                           |
| 11   | 11   |                  | 1300315-00  | 470.0 .50 W 5.0 % CC             | 1   |               | R15                                |
| 12   | 12   |                  | 1300365-00  | 1.0 K .25 W 5.0 % CC             | 6   |               | R10, R19, R21-R24                  |
| 13   | 13   |                  | 1300439-00  | 3.30 K .25 W 5.0 % CC            | 9   |               | R26-R33, R38                       |
| 14   | 14   |                  | 1300479-00  | 10.0 K .25 W 5.0 % CC            | 11  |               | R2, R3, R17, R25, R34-R37, R39-R41 |
| 15   | 15   |                  | 1301401-00  | 750.0 .25 W 5.0 % CC             | 1   |               | R1                                 |
| 16   | 16   |                  | 1301425-00  | 300.0 .25 W 5.0 % CC             | 2   |               | R18, R20                           |
| 17   | 17   |                  | 1301874-00  | 5.60 K .25 W 5.0 % CC            | 3   |               | R5, R7, R9                         |
| 18   | 18   |                  | 1302391-00  | 20.0 K .25 W 5.0 % CC            | 2   |               | R4, R6                             |
| 19   | 19   |                  | 1303155-00  | 21.50 K .25 W 1.0 % RN55D-F10    | 1   |               | R12                                |
| 20   | 20   |                  | 1303187-00  | 820.0 K .25 W 5.0 % CC           | 1   |               | R8                                 |
| 21   | 21   |                  | 1303312-00  | 10.0 K .25 W 1.0 % RN55D-F10     | 1   |               | R11                                |
| 22   | 22   |                  | 1304833-00  | 1.96 K .25 W 1.0 % RN55D-F10     | 1   |               | R14                                |
| 23   | 23   |                  | 1309412-00  | 18.20 K .25 W 1.0 % RN55D-F10    | 1   |               | R13                                |
| 24   | 24   |                  | 1909606-00  | 7404 INVERTER GATE-HEX 11        | 1   |               | E9                                 |
| 25   | 25   |                  | 1910406-00  | 75451 DRIVER, PERIPH, DUAL       | 1   |               | E1                                 |
| 26   | 26   |                  | 1910741-00  | 7406 INVERTER GATE-HEX 11        | 1   |               | E8                                 |
| 27   | 27   |                  | 1912536-01  | 7805 VOLT REG, FIX +5V           | 1   |               | Z1                                 |
| 28   | 28   |                  | 1912649-00  | LS75 LATCH 4BIT, BISTABLE        | 1   |               | E4                                 |
| 29   | 29   |                  | 1912799-00  | LS00 NAND-GATE-QUAD 2IN, P       | 1   |               | E5                                 |
| 30   | 30   |                  | 1912823-00  | LS73 FF-JK DUAL W/CLEAR          | 1   |               | E3                                 |

| REVISION HISTORY |               | BASIC PART NO: 5413404 |                         | DRN: T SHETRAWSKI |                  | DATE: 23-JUL-79      |           | D I G I T A L                     |  |
|------------------|---------------|------------------------|-------------------------|-------------------|------------------|----------------------|-----------|-----------------------------------|--|
| ENG:             | ECO NUMBER    | REV                    | SECTION A OF A          | *****             |                  | *****                |           | T I T L E                         |  |
| RP               | 5413404-MLO01 | B                      | SECTION VARIATION INDEX | CHK'D:            | T SHETRAWSKI     | DATE:                | 23-JUL-79 | P A R T S L I S T                 |  |
| J.D              | 5413404-PN002 | C                      | [A] 00                  | *****             |                  | *****                |           | V T 1 0 0 F U L L K E Y B O A R D |  |
| J.B              | 5413404-PN003 | D                      | [B]                     | *****             |                  | *****                |           |                                   |  |
| CJ               | 5413404-MLO04 | E                      | [C]                     | DES. ENG:         | M MORGESTERN     | DATE:                | 23-JUL-79 | *****                             |  |
| CJ               | 5413404-MLO05 | F                      | [D]                     | *****             |                  | *****                |           | D O C U M E N T N U M B E R       |  |
|                  |               |                        | [E]                     | RESP. ENG.:       | M MORGESTERN     | DATE:                | 23-JUL-79 | *****                             |  |
|                  |               |                        | [F]                     | *****             |                  | *****                |           | S I Z E ! C O D E ! N U M B E R   |  |
|                  |               |                        | [H]                     | *****             |                  | *****                |           | K P L 5413404-0-DBF F             |  |
|                  |               |                        | [J]                     | MFG. ENG.:        | T CORCIARI       | DATE:                | 23-JUL-79 | *****                             |  |
|                  |               |                        | [K]                     | *****             |                  | *****                |           | *****                             |  |
|                  |               |                        | [L]                     | ASSEMBLY NUMBER:  | D-UA-5413404-0-0 | TOP DOCUMENT NUMBER: |           | F I L E N A M E : 20783F.PLS      |  |
|                  |               |                        | [M]                     | *****             |                  | *****                |           | E D I T # 11                      |  |
|                  |               |                        | [N]                     | *****             |                  | *****                |           | *****                             |  |

"THIS DRAWING AND SPECIFICATIONS HEREIN, ARE THE PROPERTY OF DIGITAL EQUIPMENT CORPORATION AND SHALL NOT BE REPRODUCED OR COPIED OR USED IN WHOLE OR IN PART AS THE BASIS FOR THE MANUFACTURE OR SALE OF ITEMS WITHOUT WRITTEN PERMISSION. COPYRIGHT (C) 1981. DIGITAL EQUIPMENT CORPORATION"

AUTOMATED BY PRTLST.3L(34)

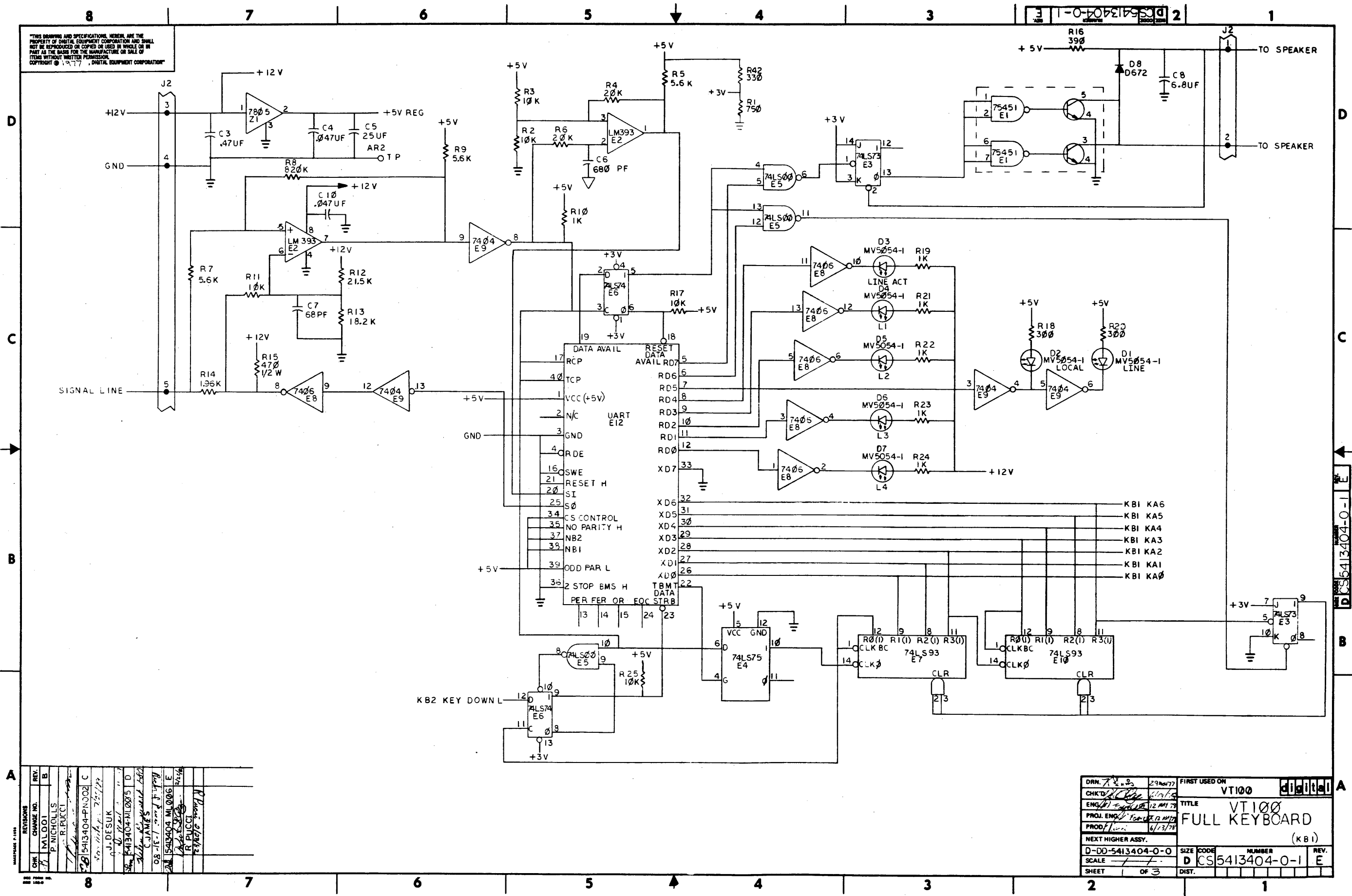
PARTS LIST

SHEET A2 OF A2

| LINE | ITEM | DOCUMENT NUMBER | PART NUMBER | DESCRIPTION                   | QTY PER VARIATION<br>00 | REFERENCE DESIGNATOR |
|------|------|-----------------|-------------|-------------------------------|-------------------------|----------------------|
| 31   | 31   |                 | 1912824-00  | LS74 FF-D DUAL,EDGE TRIGG     | 1                       | E6                   |
| 32   | 32   |                 | 1912844-00  | LS151 MUX 1 OF 8 & DATA       | 1                       | E14                  |
| 33   | 33   |                 | 1913949-00  | LS93 COUNTER,DECADE,4BIT      | 2                       | E7,E10               |
| 34   | 34   |                 | 1913950-00  | LS156 DECODER,2 OF 4(DUAL)    | 2                       | E11,E13              |
| 35   | 35   |                 | 1914156-00  | LM 393 VOLT.COMPARATOR DUAL   | 1                       | E2                   |
| 36   | 36   |                 | 2114137-51  | UART MOS N-CHANNEL            | 1                       | E12                  |
| 37   | 37   |                 | 7013910-00  | KEYBOARD ARRAY ASSY           | 1                       |                      |
| 38   | 38   |                 | 7014561-00  | 18 KEY NUMERIC PAD ASSY       | 1                       |                      |
| 39   | 39   |                 | 9006020-01  | SCREW,PAN,PHIL 6-32X 1/4 SS   | 1                       |                      |
| 40   | 40   |                 | 9008185-00  | NUT,KEP 6-32X1/4 AF           | 1                       |                      |
| 41   | 41   |                 | 9010033-00  | SCREW,PAN,PHILLIPS 4-24 X 3/8 | 7                       |                      |
| 42   | 42   |                 | 1012312-01  | .47 MFD 50V +80-20% CER       | 1                       | C3                   |

|   |   |   |   |   |   |   |                     |                |      |      |                 |     |
|---|---|---|---|---|---|---|---------------------|----------------|------|------|-----------------|-----|
| D | I | G | I | T | A | L | TITLE               | SECTION A OF A | SIZE | CODE | DOCUMENT NUMBER | REV |
|   |   |   |   |   |   |   | VT100 FULL KEYBOARD |                | K    | PL   | 5413404-0-DBP   | F   |

"THIS DRAWING AND SPECIFICATIONS, HEREIN, ARE THE PROPERTY OF DIGITAL EQUIPMENT CORPORATION AND SHALL NOT BE REPRODUCED OR COPIED OR USED IN WHOLE OR IN PART AS THE BASIS FOR THE MANUFACTURE OR SALE OF ITEMS WITHOUT WRITTEN PERMISSION. COPYRIGHT © 1977, DIGITAL EQUIPMENT CORPORATION"

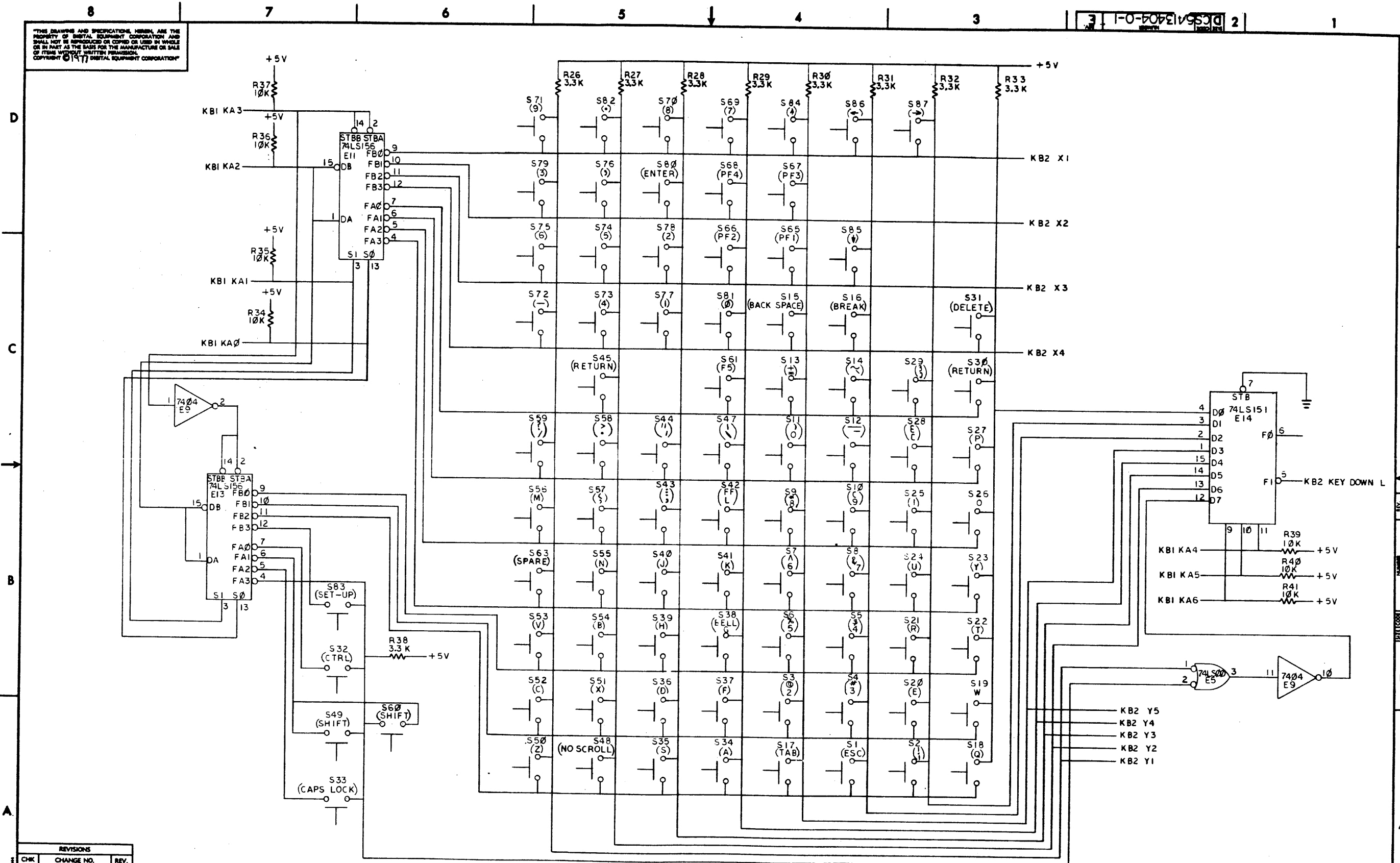


| REV. | CHG. | NO. | BY | DATE |
|------|------|-----|----|------|
| 1    |      |     |    |      |
| 2    |      |     |    |      |
| 3    |      |     |    |      |
| 4    |      |     |    |      |
| 5    |      |     |    |      |
| 6    |      |     |    |      |
| 7    |      |     |    |      |
| 8    |      |     |    |      |

|                   |           |               |               |
|-------------------|-----------|---------------|---------------|
| DRN. 7-1-77       | 29 Nov 77 | FIRST USED ON | VT100         |
| CHK'D             |           | TITLE         | VT100         |
| ENG'D             |           |               | FULL KEYBOARD |
| PROJ. ENG.        |           |               | (KBI)         |
| PROD. PLAN.       |           |               |               |
| NEXT HIGHER ASSY. |           |               |               |
| D-00-5413404-0-0  |           | SIZE CODE     | NUMBER        |
| SCALE             |           |               |               |
| SHEET             | OF 3      | DIST.         |               |

THIS DRAWING AND SPECIFICATIONS HEREIN ARE THE PROPERTY OF DIGITAL EQUIPMENT CORPORATION AND SHALL NOT BE REPRODUCED OR COPIED OR USED IN WHOLE OR IN PART AS THE BASIS FOR THE MANUFACTURE OR SALE OF ITEMS WITHOUT WRITTEN PERMISSION. COPYRIGHT © 1977 DIGITAL EQUIPMENT CORPORATION

3 1-0-707219530 2

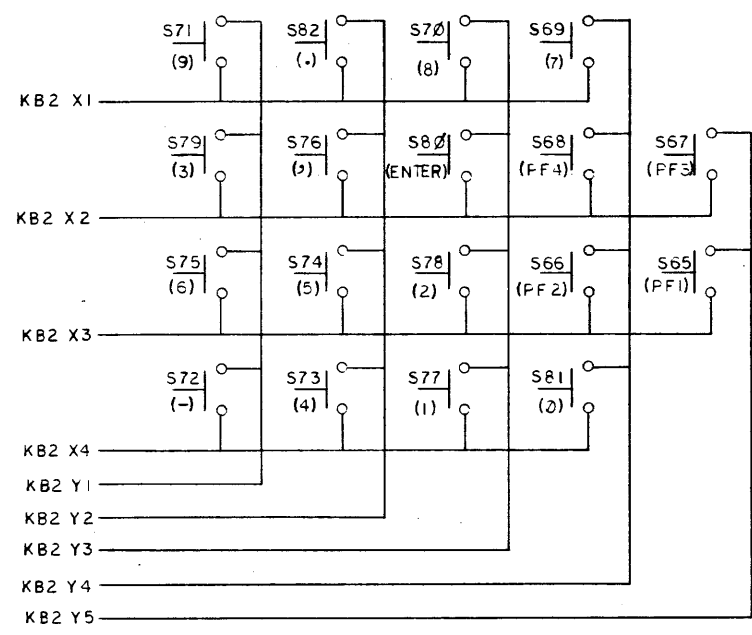


| REVISIONS |            |      |
|-----------|------------|------|
| CHK       | CHANGE NO. | REV. |
|           |            |      |

TITLE VT100 FULL KEYBOARD (K B2) SIZE CODE NUMBER REV. DCS 5413404-0-1 E  
 SCALE 1/1 SHEET 2 OF 3 DIST.

DCS 5413404-0-1 E

THIS DRAWING AND SPECIFICATIONS HEREIN ARE THE PROPERTY OF DIGITAL EQUIPMENT CORPORATION AND SHALL NOT BE REPRODUCED OR COPIED OR USED IN WHOLE OR IN PART AS THE BASIS FOR THE MANUFACTURE OR SALE OF ITEMS WITHOUT WRITTEN PERMISSION. COPYRIGHT © 1977, DIGITAL EQUIPMENT CORPORATION



DCS 5413404-0-1 E

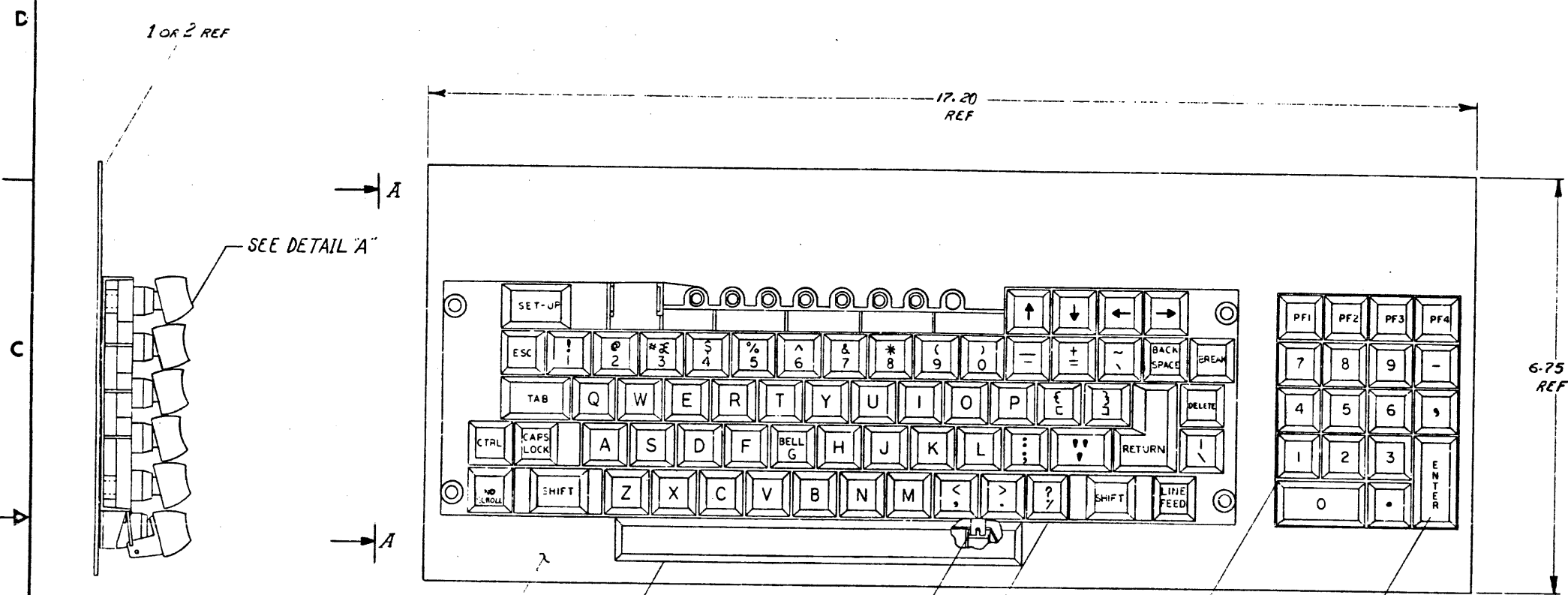
| REVISIONS |            |      |
|-----------|------------|------|
| CHK       | CHANGE NO. | REV. |
|           |            |      |

|       |                           |           |   |        |                 |       |   |
|-------|---------------------------|-----------|---|--------|-----------------|-------|---|
| TITLE | VT100 FULL KEYBOARD (KB3) | SIZE CODE | D | NUMBER | DCS 5413404-0-1 | REV.  | E |
| SCALE | 1/1                       | SHEET     | 3 | OF     | 3               | DIST. |   |

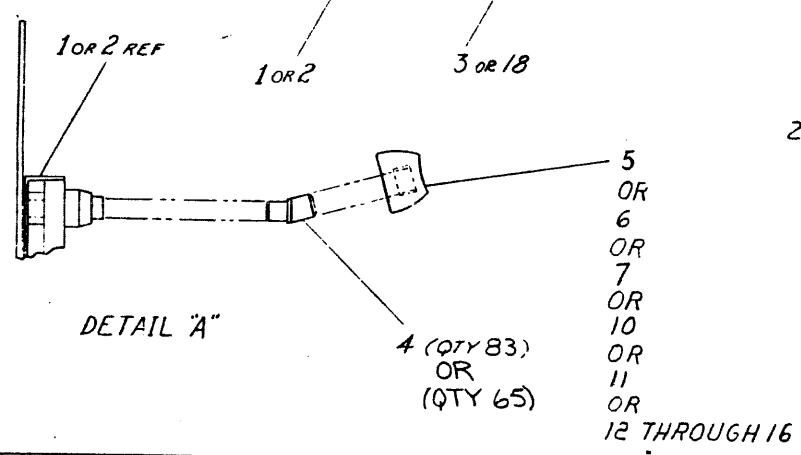


THIS DRAWING AND SPECIFICATIONS HEREIN ARE THE PROPERTY OF DIGITAL EQUIPMENT CORPORATION AND SHALL NOT BE REPRODUCED OR USED IN WHOLE OR IN PART AS THE BASIS FOR THE MANUFACTURE OR SALE OF ITEMS WITHOUT WRITTEN PERMISSION. COPYRIGHT © 1974, DIGITAL EQUIPMENT CORPORATION

- NOTES:**
1. THE NUMERIC KEY PAD IS NOT AVAILABLE ON THE E-UA-5413404-01 VARIATION.
  2. STANDARD VT100 BASIC KEY CAP SET (12/14333-72, ITEM 5) AND NUMERIC PAD (12/14333-91, ITEM 6) SHOWN. FOR KEYCAP ARRANGEMENTS REFER TO DEC DRAWING NUMECK D-AR-7015765-0-1.
  3. FOR INDIVIDUAL FIELD SERVICE/CUSTOMER SPARES SHIPMENTS, USE PACKAGING INSTRUCTIONS A-SP-3700555-0-0; FOR BULK INTERPLANT SHIPMENTS, USE PACKAGING INSTRUCTIONS A-SP-3700439-00 VARIATION -00.



VIEW A-A



DETAIL "A"

| REV. | CHG. | DATE    | BY           | DESCRIPTION |
|------|------|---------|--------------|-------------|
| 1    | 1    | 1-8-79  | L. KING      | 1-8-79      |
| 2    | 2    | 2-21-79 | J. DEMARINIS | 2-21-79     |
| 3    | 3    | 3-1-79  | J. DEMARINIS | 3-1-79      |
| 4    | 4    | 3-1-79  | J. DEMARINIS | 3-1-79      |
| 5    | 5    | 3-1-79  | J. DEMARINIS | 3-1-79      |
| 6    | 6    | 3-1-79  | J. DEMARINIS | 3-1-79      |
| 7    | 7    | 3-1-79  | J. DEMARINIS | 3-1-79      |
| 8    | 8    | 3-1-79  | J. DEMARINIS | 3-1-79      |

OFF SHEET PARTS LIST EXISTS  
SEE K-PL-7015765-0-03P

| DESCRIPTION   | DWG./PART NO.     | ITEM NO.                                 |
|---|-------------------|--|
| UNLESS OTHERWISE SPECIFIED DIMENSIONS ARE IN INCHES |                   |  |
| ANGLES  | CLASS OF ACCURACY | NOMINAL DIMENSION RANGE INCHES           |
| MP 30   |                   | OVER 0 TO 1.25                           |
|   |                   | 1.25 TO 4.0                              |
|   |                   | 4.0 TO 12.0                              |
|   |                   | 12.0 TO 40.0                             |
|   |                   | 40.0 TO 80.0                             |
| SURFACE QUALITY                                     | CHECK ONE         |  |
| IN  | MEDIUM            | ±.004 ±.008 ±.012 ±.016 ±.020 ±.024 ±.04 |
|   | PREFERRED         | ±.012 ±.016 ±.020 ±.04 ±.08 ±.1          |
| QUANTITY & VARIATION                                |                   |  |
| THIRD ANGLE PROJECTION                              |                   | FIRST USED ON                            |
| REMOVE BURRS AND BREAK SHARP CORNERS                |                   | VT100 digital                            |
| DO NOT SCALE DWG                                    |                   | TITLE                                    |
|   |                   | KEY BOARD / KEY CAP ASSY                 |
| MATERIAL  | SCALE             | SIZE                                     |
| SEE PARTS LIST                                      | 1:1               | D AD 7015765-0-0                         |
| FINISH  | SHEET             | REV.                                     |
| NONE  | 1 OF 1            | H  |

D AD 7015765-0-0 H B

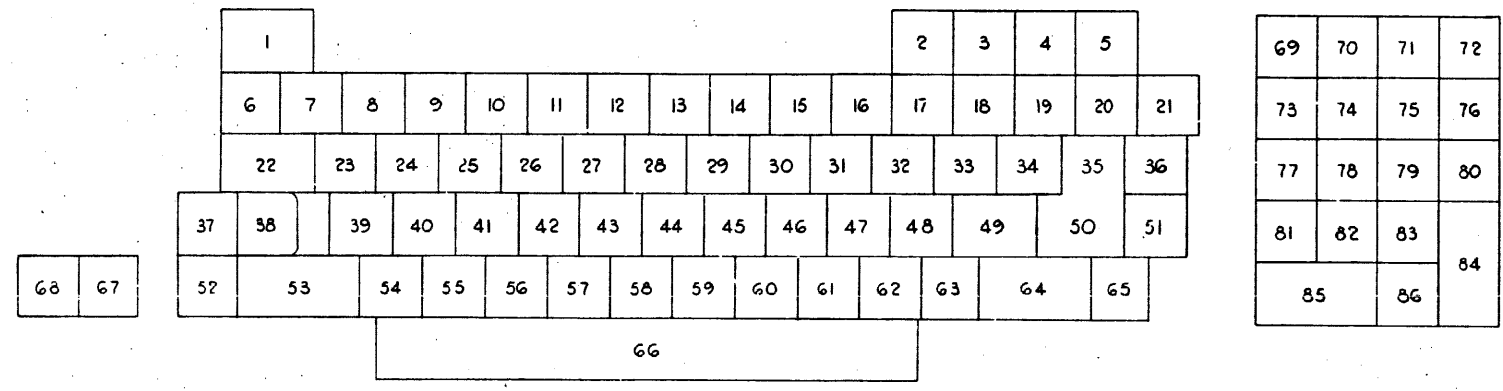
| LINE | ITEM | DOCUMENT NUMBER  | PART NUMBER | DESCRIPTION                      | QUANTITY PER VARIATION |     |     |     |     |     |     |     |     |     |     |
|------|------|------------------|-------------|----------------------------------|------------------------|-----|-----|-----|-----|-----|-----|-----|-----|-----|-----|
|      |      |                  |             |                                  | 00                     | 01  | 02  | 03  | 04  | 05  | 06  | 07  | 08  | 09  |     |
| 1    | 1    | E-AD-5413404-0-0 | 5413404-00  | VT100 FULL KEYBOARD              | 1                      | -   | 1   | 1   | 1   | 1   | 1   | 1   | 1   | 1   | 1   |
| 2    | 2    | E-AD-5413404-0-0 | 5413404-01  | KEYBOARD ASSY (64 KEYS)          | -                      | 1   | -   | -   | -   | -   | -   | -   | -   | -   | -   |
| 3    | 3    | C-AD-7015050-0-0 | 7015050-00  | SPACE BAR ASSY                   | 1                      | 1   | 1   | 1   | 1   | 1   | 1   | 1   | 1   | 1   | -   |
| 4    | 4    |                  | 1214332-00  | SW,ARRAY CAP ADAPTER             | 83                     | 65  | 83  | 83  | 83  | 83  | 83  | 83  | 83  | 83  | 83  |
| 5    | 5    |                  | 1214333-72  | KEYCAP SET,VT100                 | 64PCS                  | 1   | 1   | -   | -   | -   | -   | -   | -   | -   | -   |
| 6    | 6    |                  | 1214333-91  | KEYCAP SET,LA120/34 VT100        | 18PCS                  | 1   | -   | -   | -   | -   | -   | -   | -   | -   | -   |
| 7    | 7    |                  | 1214333-C0  | KEYCAP SET,VT100-NA              | 82PCS                  | -   | -   | 1   | -   | -   | -   | -   | -   | -   | -   |
| 8    | 8    |                  | 7420120-00  | *** THIS ITEM IS NOT USED ***    | -                      | -   | -   | -   | -   | -   | -   | -   | -   | -   | -   |
| 9    | 9    | D-AR-7015765-0-1 |             | KEYBOARD/KEYCAP ASSY             | REF                    | REF | REF | REF | REF | REF | REF | REF | REF | REF | REF |
| 10   | 10   |                  | 1214333-J0  | KEYCAP SET,VT100-WA              | 82PCS                  | -   | -   | -   | 1   | -   | -   | -   | -   | -   | -   |
| 11   | 11   |                  | 1214333-W2  | SW,KEY BD CAP COMP SET U3-W1     | -                      | -   | -   | -   | -   | 1   | -   | -   | -   | -   | -   |
| 12   | 12   |                  | 1214333-CP  | KEYCAP SET,VT100-WB              | 82PCS                  | -   | -   | -   | -   | -   | 1   | -   | -   | -   | -   |
| 13   | 13   |                  | 1214333-CB  | KEYCAP SET,VT100-WB              | 82PCS                  | -   | -   | -   | -   | -   | -   | 1   | -   | -   | -   |
| 14   | 14   |                  | 1214333-8U  | KEYCAP SET,VT100-WB              | 82PCS                  | -   | -   | -   | -   | -   | -   | -   | 1   | -   | -   |
| 15   | 15   |                  | 1214333-EY  | KEYCAP SET,VT100-WB              | 82PCS                  | -   | -   | -   | -   | -   | -   | -   | -   | 1   | -   |
| 16   | 16   |                  | 1214333-ZY  | KEYCAP SET,VT100                 | 64PCS                  | -   | -   | -   | -   | -   | -   | -   | -   | -   | 1   |
| 17   | 17   |                  | 1214333-3W  | KEYCAP SET,LA120/34 VT100        | 18PCS                  | -   | -   | -   | -   | -   | -   | -   | -   | -   | 1   |
| 18   | 18   | D-AD-7015050-0-0 | 7015050-01  | SPACE BAR ASSY. GRAY             | -                      | -   | -   | -   | -   | -   | -   | -   | -   | -   | 1   |
| 19   | 19   | A-SP-3700555-0-0 | 3700555-00  | PKG KEYBOARD 7015765             | 1                      | 1   | 1   | 1   | 1   | 1   | 1   | 1   | 1   | 1   | 1   |
| 20   | 20   | A-SP-3700439-0-0 | 3700439-00  | INSTR PKG. BULK CARTON 99-06476- | 1                      | 1   | 1   | 1   | 1   | 1   | 1   | 1   | 1   | 1   | 1   |
| 21   | 21   | C-MD-7424160-0-0 | 7424160-00  | SPACE BAR EQUALIZER CLIP         | 2                      | 2   | 2   | 2   | 2   | 2   | 2   | 2   | 2   | 2   | 2   |

| REVISION HISTORY |               |     | BASIC PART NO: 7015765   |   |                      | DRN: ANGEL COLON         |            |               | DATE: 3 APR 78 |  |  | DIGITAL |  |  |
|------------------|---------------|-----|--------------------------|---|----------------------|--------------------------|------------|---------------|----------------|--|--|---------|--|--|
| ENG              | ECO NUMBER    | REV | SECTION A OF A           | CHK'D:  | DATE:                | TITLE                    | PARTS LIST |               |                |  |  |         |  |  |
| ---              | INITIAL       | F   | SECTION. VARIATION INDEX | D. HEALY  | 7 APR 78             | KEYBOARD/KEYCAP ASSEMBLY |            |               |                |  |  |         |  |  |
| JD               | 7015765-ML005 | F   | [A] 00,01,02,03,04,05,   | DES.ENG.: E. WEDEKING   | 10 MAY 78            | DOCUMENT NUMBER          |            |               |                |  |  |         |  |  |
| JD               | 7015765-ML006 | H   | 06,07,08,09              | RESP.ENG.: G. DOUMANI   | 17 MAY 7             | SIZE                     | CODE       | NUMBER        | REV            |  |  |         |  |  |
|                  |               |     | [B]                      | MFG.ENG.: K. HOFFMAN  | 10 MAY 78            | K                        | PL         | 7015765-0-DBP | H              |  |  |         |  |  |
|                  |               |     | [C]                      | ASSEMBLY NUMBER:  | TOP DOCUMENT NUMBER: | FILE NAME:               |            | EDIT #        |                |  |  |         |  |  |
|                  |               |     | [D]                      | D-AD-7015765-0-0  | #B-DD-7015765-0      | Z1933H.PLS               |            | 6             |                |  |  |         |  |  |
|                  |               |     | [E]                      | "THIS DRAWING AND SPECIFICATIONS HEREIN, ARE THE PROPERTY OF DIGITAL EQUIPMENT CORPORATION AND SHALL NOT BE REPRODUCED OR COPIED OR USED IN WHOLE OR IN PART AS THE BASIS FOR THE MANUFACTURE OR SALE OF ITEMS WITHOUT WRITTEN PERMISSION. COPYRIGHT (C) 1981. DIGITAL EQUIPMENT CORPORATION" |                      |                          |            |               |                |  |  |         |  |  |
|                  |               |     | [F]                      |   |                      |                          |            |               |                |  |  |         |  |  |

THIS DRAWING AND SPECIFICATIONS, HEREIN, ARE THE PROPERTY OF DIGITAL EQUIPMENT CORPORATION AND SHALL NOT BE REPRODUCED OR COPIED OR USED IN WHOLE OR IN PART AS THE BASIS FOR THE MANUFACTURE OR SALE OF ITEMS WITHOUT WRITTEN PERMISSION.  
 COPYRIGHT © 1976, DIGITAL EQUIPMENT CORPORATION

DWG. NO. D-AD-7015765-0-1 2

NOTES:  
 1. THE FOLLOWING TABLE (SHEET 2) LISTS VARIATION NUMBERS FOR 124333 (KEYCAPS) INDICATING THE SPECIFIC KEYBOARD POSITION OF EACH AS USED ON VARIOUS MODELS.



KEYBOARD CAP POSITIONS  
 (SEE NOTE 1 & TABLE, SHEET 2)

| REV. | CHANGE NO. | DATE | BY | CHKD. |
|------|------------|------|----|-------|
| 1    |            |      |    |       |
| 2    |            |      |    |       |
| 3    |            |      |    |       |
| 4    |            |      |    |       |
| 5    |            |      |    |       |
| 6    |            |      |    |       |
| 7    |            |      |    |       |
| 8    |            |      |    |       |

| DESCRIPTION   |                                | DWG./PART NO.                  | ITEM NO.                       |
|---|--------------------------------|--------------------------------|--------------------------------|
| UNLESS OTHERWISE SPECIFIED DIMENSIONS ARE IN INCHES |                                |                                |                                |
| ANGLES<br>90° ±30'                                  | CLASS OF ACCURACY              | NOMINAL DIMENSION RANGE INCHES |                                |
| SURFACE QUALITY<br>IN                               | (CHECK ONE)                    | OVER 0 TO 0.2                  | OVER 0.2 TO 0.5                |
| QUANTITY & VARIATION                                | MEDIUM                         | OVER 0.5 TO 1.2                | OVER 1.2 TO 4.0                |
| MICRONCHES  | PREFERRED                      | OVER 4.0 TO 12.0               | OVER 12.0 TO 48.0              |
|   |                                | OVER 48.0 TO 96.0              | OVER 96.0 TO 50.0              |
|   |                                | 1.012                          | 1.018                          |
|   |                                | 1.025                          | 1.031                          |
|   |                                | 1.037                          | 1.043                          |
|   |                                | 1.053                          | 1.061                          |
| THIRD ANGLE PROJECTION                              | DRN. <i>R. King</i>            | 25 JUN 78                      | FIRST USED ON                  |
| REMOVE BURRS AND BREAK SHARP CORNERS                | CHKD. <i>R. King</i>           | 20 MAY 78                      | VT100 digital                  |
| DO NOT SCALE DWG                                    | ENG. <i>J. Demarinis</i>       | 22 MAR 78                      | TITLE                          |
|   | PROL. ENG. <i>J. Demarinis</i> | 21 MAR 78                      | KEYBD CAP-POSITION ARRANGEMENT |
|   | PROD. <i>J. Demarinis</i>      | 21 MAR 78                      |                                |
| MATERIAL  | D-AD-7015765-C-0               | SIZE                           | CODE                           |
| FINISH  | SCALE NONE                     | D                              | AR                             |
|   | SHEET OF 2                     | DIST.                          |                                |

D-AD-7015765-0-1

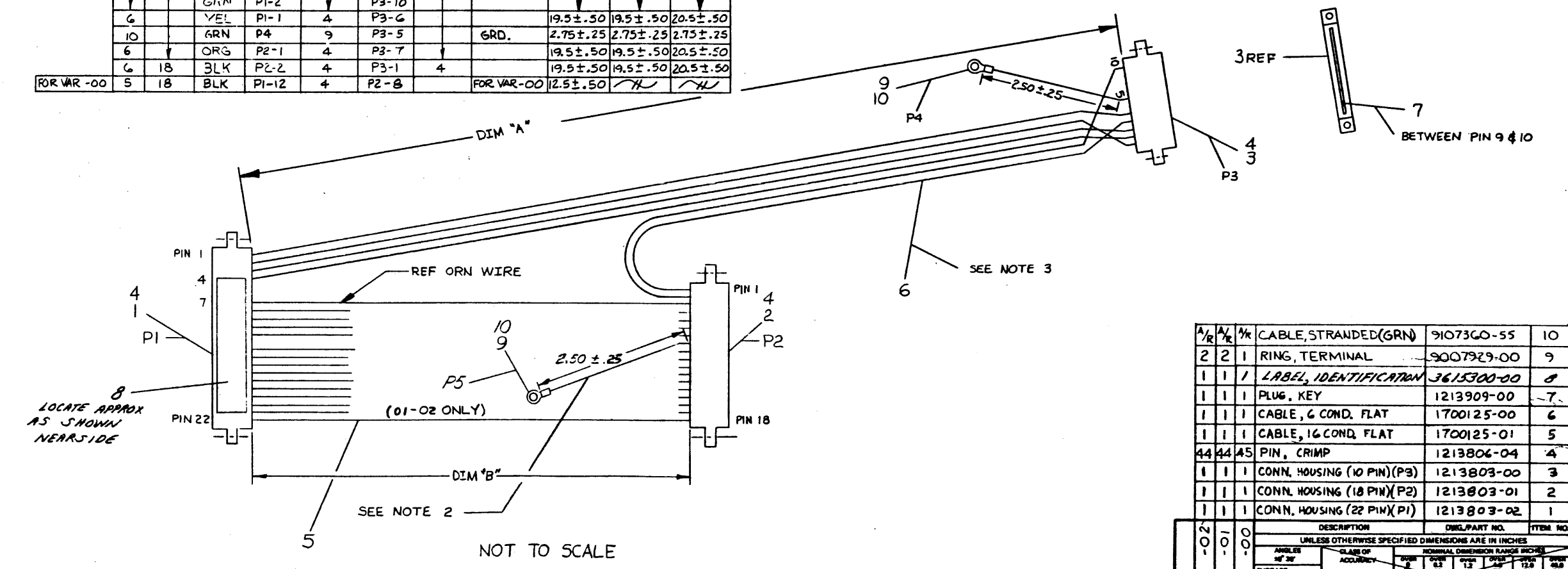


10-0-8269102 V10 2

| ITEM NO | AWG | COLOR | FROM  |      | TO    |      | REMARKS    | PRECUT WIRE LG FOR VAR-00 | PRECUT WIRE LG FOR VAR-01 | PRECUT WIRE LG FOR VAR-02 |
|---------|-----|-------|-------|------|-------|------|------------|---------------------------|---------------------------|---------------------------|
|         |     |       | CONN. | WITH | CONN. | WITH |            |                           |                           |                           |
| 5       | 18  | RED   | P1-22 | 4    | P2-18 | 4    | 12.5 ± .50 | 12.5 ± .50                | 12.5 ± .50                |                           |
|         |     | RED   | P1-21 |      | P2-17 |      |            |                           |                           |                           |
|         |     | RED   | P1-20 |      | P2-16 |      |            |                           |                           |                           |
|         |     | RED   | P1-19 |      | P2-15 |      |            |                           |                           |                           |
|         |     | RED   | P1-18 |      | P2-14 |      |            |                           |                           |                           |
|         |     | BLK   | P1-17 |      | P2-13 |      |            |                           |                           |                           |
|         |     | BLK   | P1-16 |      | P2-12 |      |            |                           |                           |                           |
|         |     | BLK   | P1-15 |      | P2-11 |      |            |                           |                           |                           |
|         |     | BLK   | P1-14 |      | P2-10 |      |            |                           |                           |                           |
| 5       | 18  | BLK   | P1-13 | 4    | P2-9  | 4    | 12.5 ± .50 | 12.5 ± .50                | 13.5 ± .50                |                           |
| 10      | 18  | GRN   | P5    | 9    | P2-8  | 4    | 2.75 ± .25 | 2.75 ± .25                | 2.75 ± .25                | GRD FOR VAR -01 & -02     |
| 5       | 18  | YEL   | P1-11 | 4    | P2-7  | 4    | 12.5 ± .50 | 12.5 ± .50                | 13.5 ± .50                |                           |
|         |     | RED   | P1-10 |      | P2-6  |      |            |                           |                           |                           |
|         |     | BLUE  | P1-9  |      | P2-5  |      |            |                           |                           |                           |
|         |     | BLK   | P1-8  |      | P2-4  |      |            |                           |                           |                           |
| 5       | 18  | ORG   | P1-7  |      | P2-3  | 4    | 12.5 ± .50 | 12.5 ± .50                | 13.5 ± .50                |                           |
| 6       | 18  | WHT   | P1-4  |      | P3-9  | 4    | 19.5 ± .50 | 19.5 ± .50                | 20.5 ± .50                |                           |
|         |     | GRY   | P1-3  |      | P3-8  |      |            |                           |                           |                           |
|         |     | GRN   | P1-2  |      | P3-10 |      |            |                           |                           |                           |
| 6       | 18  | YEL   | P1-1  | 4    | P3-6  | 4    | 19.5 ± .50 | 19.5 ± .50                | 20.5 ± .50                |                           |
| 10      | 18  | GRN   | P4    | 9    | P3-5  | 4    | 2.75 ± .25 | 2.75 ± .25                | 2.75 ± .25                | GRD.                      |
| 6       | 18  | ORG   | P2-1  | 4    | P3-7  | 4    | 19.5 ± .50 | 19.5 ± .50                | 20.5 ± .50                |                           |
| 6       | 18  | BLK   | P2-2  | 4    | P3-1  | 4    | 19.5 ± .50 | 19.5 ± .50                | 20.5 ± .50                |                           |
| 5       | 18  | BLK   | P1-12 | 4    | P2-8  | 4    | 12.5 ± .50 | 12.5 ± .50                | 12.5 ± .50                | FOR VAR-00                |

| OVER ALL CABLE LG. |             |             |
|--------------------|-------------|-------------|
| VARIATION          | DIM A       | DIM B       |
| 7014978-00         | 18.50 ± .50 | 11.50 ± .50 |
| 7014978-01         | 18.50 ± .50 | 11.50 ± .50 |
| 7014978-02         | 20.50 ± .50 | 13.50 ± .50 |

- NOTES:
- IDENTIFICATION: DECAL USING 1/8" CHARACTER HEIGHT AS INDICATED BELOW TO HIGHEST LEVEL OF SUBASSEMBLY SPECIFIED ON PURCHASE ORDER AND LOCATE APPROX. AS SHOWN ON DRAWING.  
A.) PART NUMBER  
B.) REVISION  
C.) VENDOR IDENTIFICATION  
D.) DATE, CODE
  - ON VARIATION (-01 & -02) CUT BACK BLK. WIRE FROM P2-8 TO P1-12 2.5 ± .25 IN. FROM BOTH ENDS.
  - CUT BACK ORN & BLK WIRES OF (ITEM #6) TO 12.5 ± .25 IN.



| QTY | AVG | PK | DESCRIPTION                 | DESG/PART NO. | ITEM NO. |
|-----|-----|----|-----------------------------|---------------|----------|
| 10  |     |    | CABLE, STRANDED (GRN)       | 9107360-55    | 10       |
| 2   | 2   | 1  | RING, TERMINAL              | 9007929-00    | 9        |
| 1   | 1   | 1  | LABEL, IDENTIFICATION       | 3615300-00    | 8        |
| 1   | 1   | 1  | PLUG, KEY                   | 1213909-00    | 7        |
| 1   | 1   | 1  | CABLE, 6 COND. FLAT         | 1700125-00    | 6        |
| 1   | 1   | 1  | CABLE, 16 COND. FLAT        | 1700125-01    | 5        |
| 44  | 44  | 45 | PIN, CRIMP                  | 1213806-04    | 4        |
| 1   | 1   | 1  | CONN. HOUSING (10 PIN) (P3) | 1213803-00    | 3        |
| 1   | 1   | 1  | CONN. HOUSING (18 PIN) (P2) | 1213803-01    | 2        |
| 1   | 1   | 1  | CONN. HOUSING (22 PIN) (P1) | 1213803-02    | 1        |

| REV. | DATE     | BY       | CHKD | DESCRIPTION |
|------|----------|----------|------|-------------|
| 1    | 12-11-79 | J. BITTO |      | REVISED     |
| 2    | 12-11-79 | J. BITTO |      | REVISED     |
| 3    | 12-11-79 | J. BITTO |      | REVISED     |
| 4    | 12-11-79 | J. BITTO |      | REVISED     |
| 5    | 12-11-79 | J. BITTO |      | REVISED     |

UNLESS OTHERWISE SPECIFIED DIMENSIONS ARE IN INCHES

| ANGLE | CLASS OF ACCURACY | NOMINAL DIMENSION RANGE INCHES |       |       |       |       |
|-------|-------------------|--------------------------------|-------|-------|-------|-------|
| 1/2"  | 1/4"              | 0.00                           | 0.25  | 0.50  | 1.00  | 1.50  |
| ±.005 | ±.002             | ±.005                          | ±.005 | ±.005 | ±.005 | ±.005 |
| ±.005 | ±.002             | ±.005                          | ±.005 | ±.005 | ±.005 | ±.005 |
| ±.005 | ±.002             | ±.005                          | ±.005 | ±.005 | ±.005 | ±.005 |

THIRD ANGLE PROJECTION

REMOVE BURRS AND BREAK SHARP CORNERS

DO NOT SCALE DWG

MATERIAL SEE PARTS LIST

FINISH

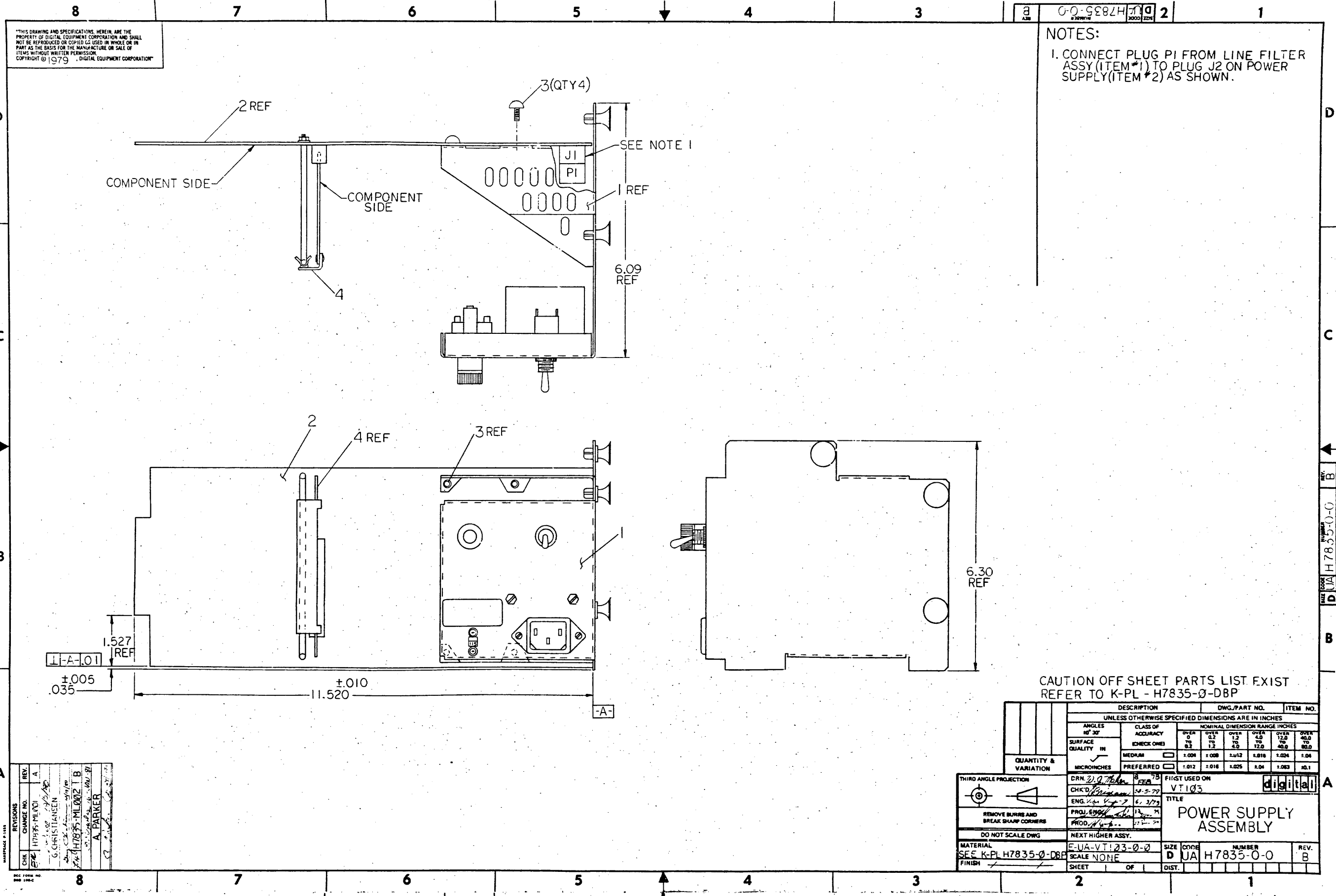
DRN: J. BITTO  
CHKD: J. BITTO  
ENR: J. BITTO  
PRD: J. BITTO

FIRST USED ON VT100

TITLE: POWER CABLE ASSY

SIZE: D  
SCALE: NONE  
SHEET: 1 OF 1

NUMBER: 7014978-0-0  
REV. C



"THIS DRAWING AND SPECIFICATIONS, HEREIN, ARE THE PROPERTY OF DIGITAL EQUIPMENT CORPORATION AND SHALL NOT BE REPRODUCED OR COPIED OR USED IN WHOLE OR IN PART AS THE BASIS FOR THE MANUFACTURE OR SALE OF ITEMS WITHOUT WRITTEN PERMISSION. COPYRIGHT © 1979, DIGITAL EQUIPMENT CORPORATION"

NOTES:  
 1. CONNECT PLUG P1 FROM LINE FILTER ASSY (ITEM #1) TO PLUG J2 ON POWER SUPPLY (ITEM #2) AS SHOWN.

CAUTION OFF SHEET PARTS LIST EXIST REFER TO K-PL - H7835-0-DBP

| QUANTITY & VARIATION                 | DESCRIPTION   |                                | DWG./PART NO.   |                       | ITEM NO.         |
|--------------------------------------|---|--------------------------------|-----------------|-----------------------|------------------|
|                                      | UNLESS OTHERWISE SPECIFIED DIMENSIONS ARE IN INCHES |                                |                 |                       |                  |
| ANGLES                               | CLASS OF ACCURACY                                   | NOMINAL DIMENSION RANGE INCHES |                 |                       |                  |
| 10° 30'                              | (CHECK ONE)   | OVER 0 TO 0.2                  | OVER 0.2 TO 1.2 | OVER 1.2 TO 4.0       | OVER 4.0 TO 12.0 |
| SURFACE QUALITY                      | IN  | ±.004                          | ±.008           | ±.012                 | ±.018            |
| MICROINCHES                          | PREFERRED   | ±.012                          | ±.016           | ±.025                 | ±.04             |
| THIRD ANGLE PROJECTION               | DRN. <i>D. A. Parker</i>                            | 8                              | 78              | FILED USED ON         | <i>VT103</i>     |
| REMOVE BURRS AND BREAK SHARP CORNERS | CHK'D. <i>Parker</i>                                | 10-5-77                        |                 | TITLE                 |                  |
| DO NOT SCALE DWG                     | ENG. <i>K. J. ...</i>                               | 6.2.3/79                       |                 | POWER SUPPLY ASSEMBLY |                  |
| MATERIAL                             | SEE K-PL H7835-0-DBP                                | E-UA-VT103-0-0                 | SIZE            | CODE                  | NUMBER           |
| FINISH                               | SCALE NONE  |                                | D               | UA                    | H7835-0-0        |
|                                      |   |                                |                 |                       | REV. B           |

| REV. | CHG. NO. | DATE | BY | APP. |
|------|----------|------|----|------|
| A    |          |      |    |      |
| B    |          |      |    |      |

REVISIONS

CHK. *Parker*

DESIGNED BY *G. CHRISTIANSEN*

DATE *10/2/77*

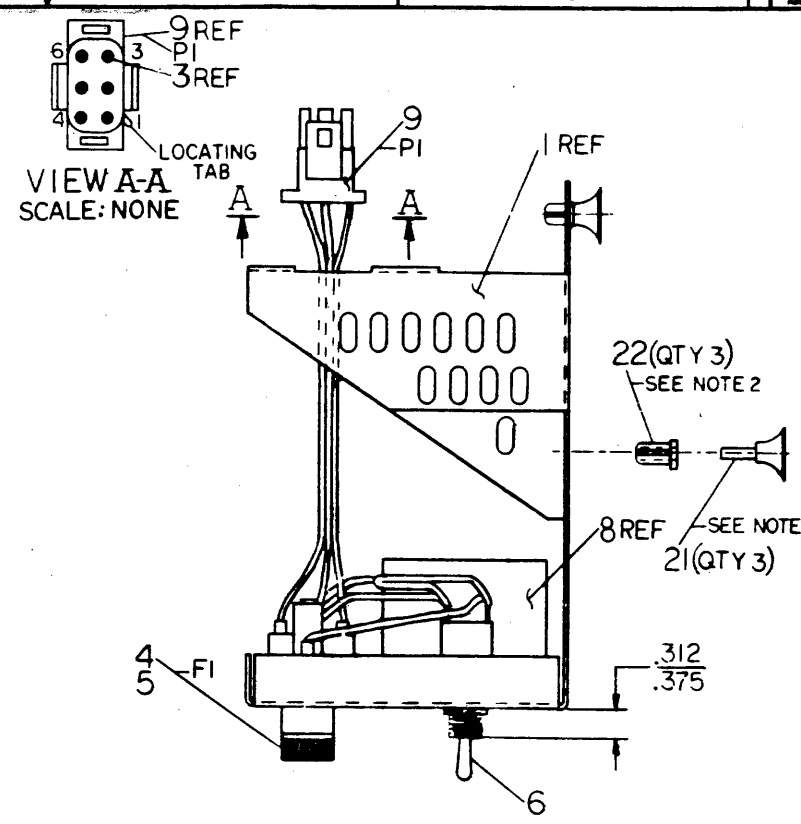
APP. *A. PARKER*

DATE *10/2/77*

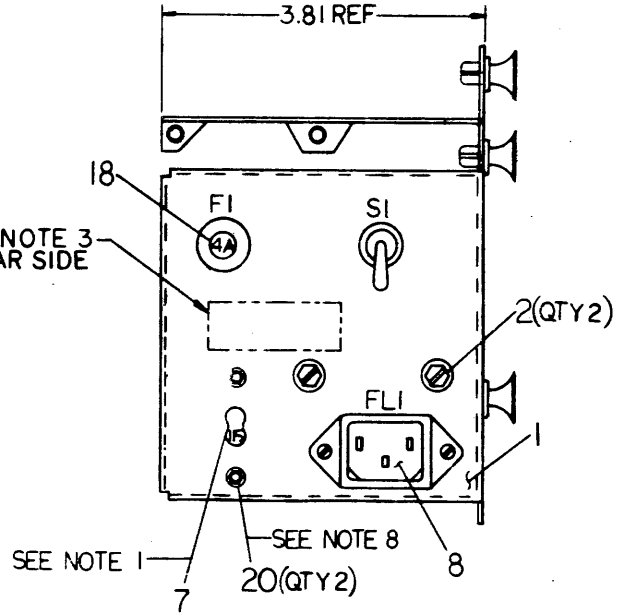
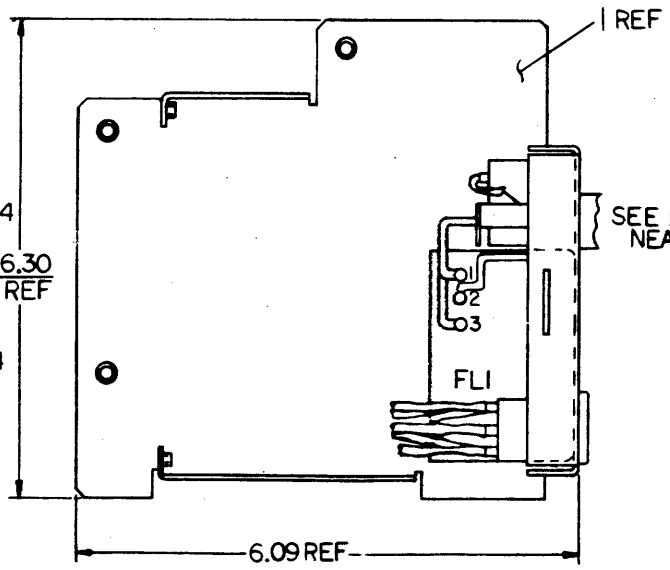
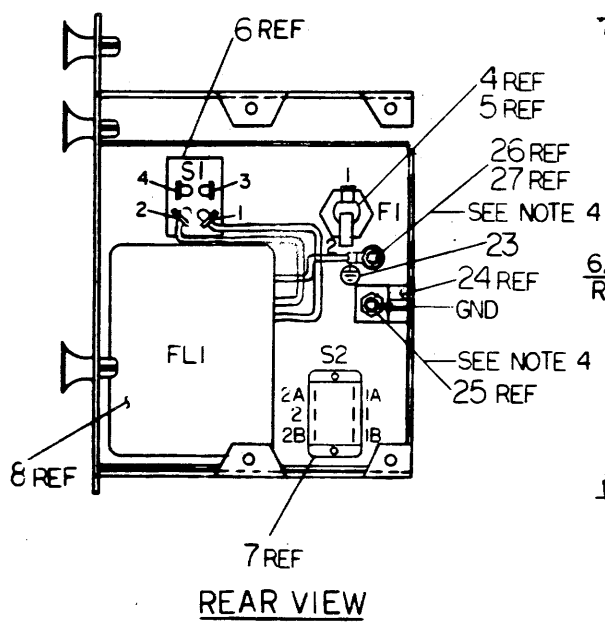
| LINE | ITEM | DOCUMENT NUMBER  | PART NUMBER | DESCRIPTION                        | QUANTITY PER VARIATION |
|------|------|------------------|-------------|------------------------------------|------------------------|
| 1    | 1    | D-IA-7016691-0-0 | 7016691-00  | LINE FILTER ASSY                   | 1                      |
| 2    | 2    | E-UA-5413739-0-0 | 5413739-00  | POWER SUPPLY FOR VT103             | 1                      |
| 3    | 3    |                  | 9010245-00  | SCREW, INTER. TORX WASH. HD. 6-32X | 4                      |
| 4    | 4    | E-UA-5412528-0-0 | 5412528-00  | POWER MONITOR BRD                  | 1                      |
| 5    | 5    | A-SP-3700470-0-0 | 3700470-00  | INSTR PKG POWER SUPPLY 7016692     | 1                      |
| 6    | 6    | A-SP-3700437-0-0 | 3700437-00  | INSTR PKG. BULK CARTON 99-06476-   | 1                      |
| 7    | 7    |                  | 3613210-02  | LABEL, ELECTRICAL DATA             | 1                      |
| 8    | 8    |                  | 9009255-00  | LABEL, POWER SUPPLY, 2-15/16 " L   | 1                      |

| REVISION HISTORY   |             | BASIC PART NO: | DRN:                     |                  | DATE:                | DIGITAL               |       |             |     |
|--|-------------|----------------|--------------------------|------------------|----------------------|-----------------------|-------|-------------|-----|
| ENG!   | ECO NUMBER  | REV            | SECTION A OF A           | CHK'D:           | DATE:                | PARTS LIST            |       |             |     |
| ---  | INITIAL     | *              | SECTION. VARIATION INDEX | DATE:            | DATE:                | POWER SUPPLY ASSEMBLY |       |             |     |
| G.C!   | H7835-ML001 | A              | [A] 00                   | DES.ENG.:        | DATE:                | DOCUMENT NUMBER       |       |             |     |
| AP   | H7835-ML002 | B              | [B]                      | DATE:            | DATE:                | SIZE!                 | CODE! | NUMBER      | REV |
|  |             |                | [C]                      | RESP.ENG.:       | DATE:                |                       |       |             |     |
|  |             |                | [D]                      | DATE:            | DATE:                |                       |       |             |     |
|  |             |                | [E]                      | MFG.ENG.:        | DATE:                | K                     | PL    | H7835-0-DBP | B   |
|  |             |                | [F]                      | ASSEMBLY NUMBER: | TOP DOCUMENT NUMBER: | FILE NAME:            |       | EDIT #      |     |
|  |             |                |                          | D-UA-H7835-0-0-0 | #B-DD-VT103-0        | Z0298B.PLS            |       | 14          |     |
| <p>"THIS DRAWING AND SPECIFICATIONS HEREIN, ARE THE PROPERTY OF DIGITAL EQUIPMENT CORPORATION AND SHALL NOT BE REPRODUCED OR COPIED OR USED IN WHOLE OR IN PART AS THE BASIS FOR THE MANUFACTURE OR SALE OF ITEMS WITHOUT WRITTEN PERMISSION. COPYRIGHT (C) 1981. DIGITAL EQUIPMENT CORPORATION"</p> |             |                |                          |                  |                      |                       |       |             |     |

| WIRE TABLE |             |      |       |                  |      |                  |       |              |
|------------|-------------|------|-------|------------------|------|------------------|-------|--------------|
| ITEM NO    | DESCRIPTION | FROM |       |                  | TO   |                  |       | REMARKS      |
|            |             | AWG  | COLOR | POINT CONNECTION | TERM | POINT CONNECTION | TERM  |              |
| 12         | 18 WHT      |      |       | PI-1             | 3    | S2-1A            | 32    | 8.0LG        |
| 13         | BROWN       |      |       | PI-3             | 3    | FI-1             |       | SOLDER 8.5LG |
| 17         | BLU         |      |       | PI-4             | 3    | S2-1B            | 32    | 8.0LG        |
| 17         | BLU         |      |       | PI-5             | 3    | S2-2B            | 32    | 8.0LG        |
| 12         | WHT         |      |       | PI-6             | 3    | S2-2A            | 32    | 8.0LG        |
| 13         | 18 BROWN    |      |       | SI-4             | 31   | FI-2             | 31    | 3.0LG        |
| 8          | BLUE        |      |       | FI-3             |      | SI-1             | 31    | SELF LEAD    |
| 8          | BROWN       |      |       | FI-1             |      | SI-2             | 31    | SELF LEAD    |
| 8          | GRN/YEL     |      |       | FI-2             |      | GND              | 26,27 | SELF LEAD    |
| 17         | 18 BLUE     |      |       | S2-2             | 32   | SI-3             | 34    | 4.0LG        |
| 17         | 18 BLUE     |      |       | S2-1             | 32   | SI-3             | 34    | 4.0LG        |



- NOTES:
- SLIDE SWITCH (ITEM #7) MAY BE POSITIONED FOR EITHER 115V OR 230V SETTING, SEE DETAIL 'B'.
  - PRESS GROMMET (ITEM #22) INTO HOLE. PRESS PLUNGER (ITEM #21) INTO GROMMET 3 PLACES AS SHOWN.
  - MARK IDENTIFICATION USING .12 HIGH CHARACTER HEIGHT AS INDICATED BELOW, LOCATE APPROXIMATELY AS SHOWN.
    - A) PART NO.
    - B) REVISION
    - C) VENDOR IDENTIFICATION
  - TORQUE NUT ITEM #25 TO 10 IN-LBS MAX AND ITEM #27 TO 18 IN-LBS MAX.
  - CAUTION = WHEN INCORPORATING AN ECO SEE DWG D-1A-7015053-0-0.
  - KNOCK OUT PLUG ON FRONT PANEL FOR FAN CONNECTOR ACCESS.
  - DRESS CABLE WITH TIE WRAPS AS REQUIRED.
  - TORQUE SCREW, ITEM #20, TO 2 IN-LBS MAX.

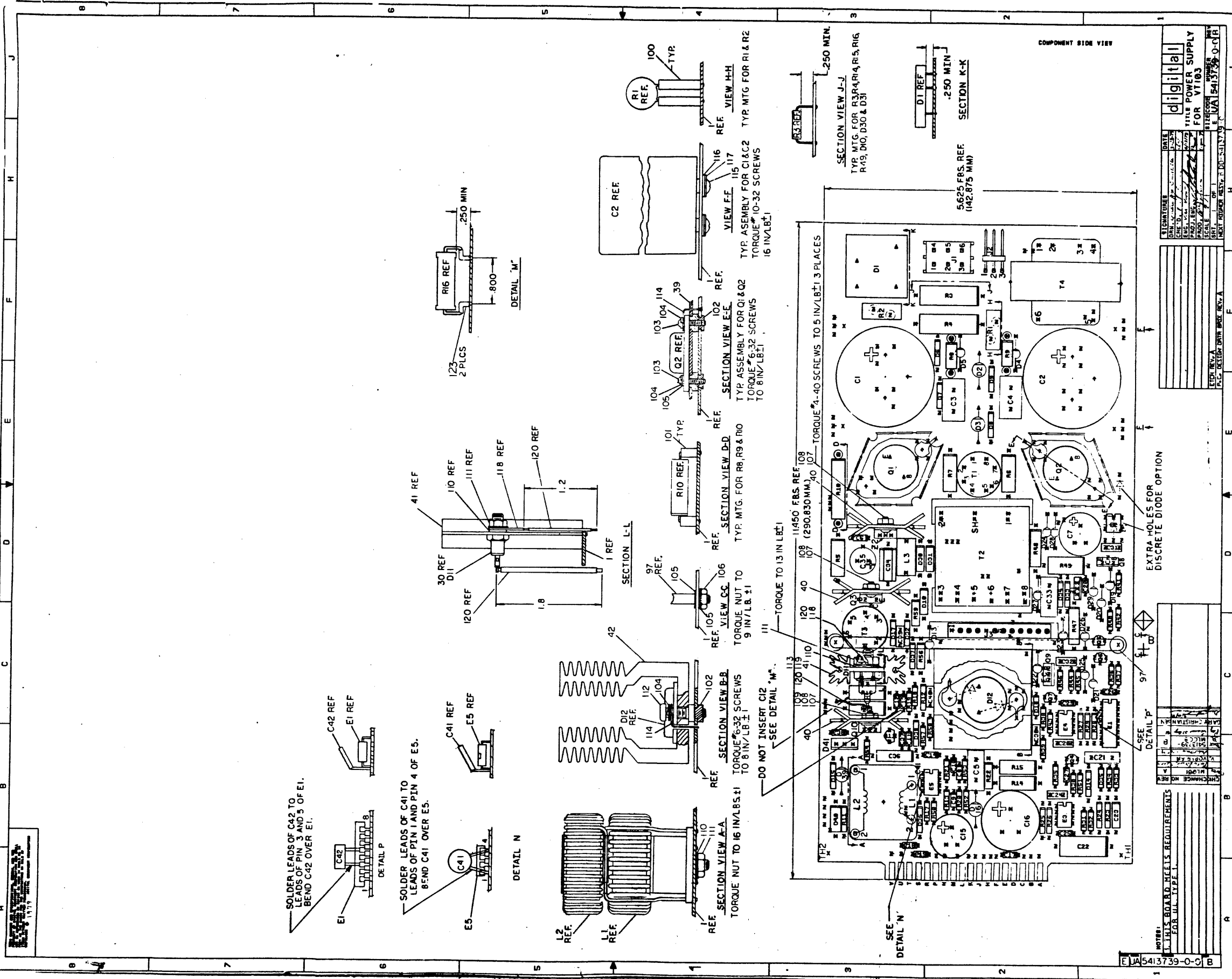


CAUTION OFF SHEET PARTS LIST EXIST REFER TO K-PL-7016691-0-DBP

|     |          |                |                |
|-----|----------|----------------|----------------|
| REV | DATE     | BY             | CHKD           |
| A   | 10/16/71 | V. VORPERIAN   | G. CHRISTENSEN |
| B   | 11/13/71 | G. CHRISTENSEN | G. CHRISTENSEN |
| C   | 11/13/71 | G. CHRISTENSEN | G. CHRISTENSEN |
| D   | 11/13/71 | G. CHRISTENSEN | G. CHRISTENSEN |

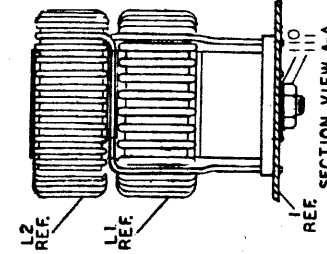
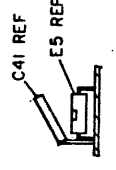
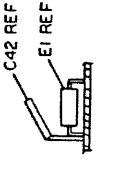
|                                      |                   |                |               |                      |
|--------------------------------------|-------------------|----------------|---------------|----------------------|
| THIRD ANGLE PROJECTION               | DRW. 21-1-71      | DATE 11/13/71  | FIRST USED ON | VT1073               |
|                                      | CHK'D 11/13/71    | 21-5-71        | TITLE         | LINE FILTER ASSEMBLY |
| REMOVE BURRS AND BREAK SHARP CORNERS | PROJ. 11/13/71    | PROD. 11/13/71 | SCALE NONE    | REV. D               |
| DO NOT SCALE DIMS                    | NEXT NUMBER ASBY. |                |               |                      |
| MATERIAL SEE K-PL-7016691-0-DBP      | DIA-H7835-0-0     | SIZE D         | CODE IA       | NUMBER 7016691-0-0   |
| FINISH                               | SHEET             | OF             | DIST.         |                      |



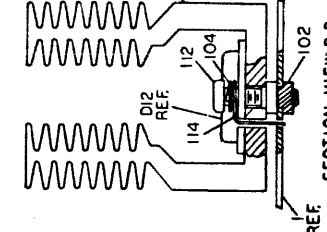


SOLDER LEADS OF C42 TO LEADS OF PIN 3 AND 5 OF E1. BEND C42 OVER E1.

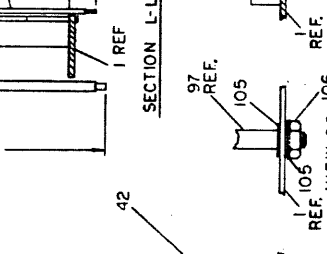
SOLDER LEADS OF C41 TO LEADS OF PIN 1 AND PIN 4 OF E5. BEND C41 OVER E5.



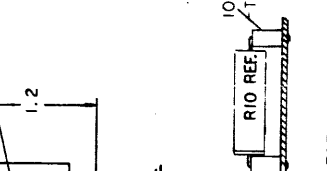
REF. SECTION VIEW A-A. TORQUE NUT TO 16 IN/LB.±1. TORQUE \*6-32 SCREWS TO 8 IN/LB.±1.



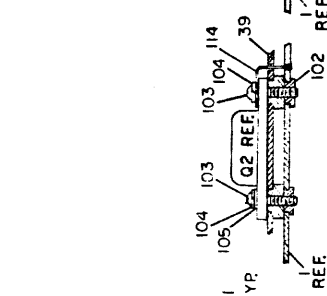
REF. SECTION VIEW B-B. TORQUE \*6-32 SCREWS TO 8 IN/LB.±1.



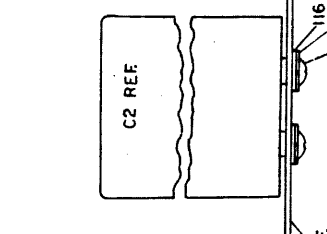
REF. VIEW C-C. TORQUE NUT TO 9 IN/LB.±1.



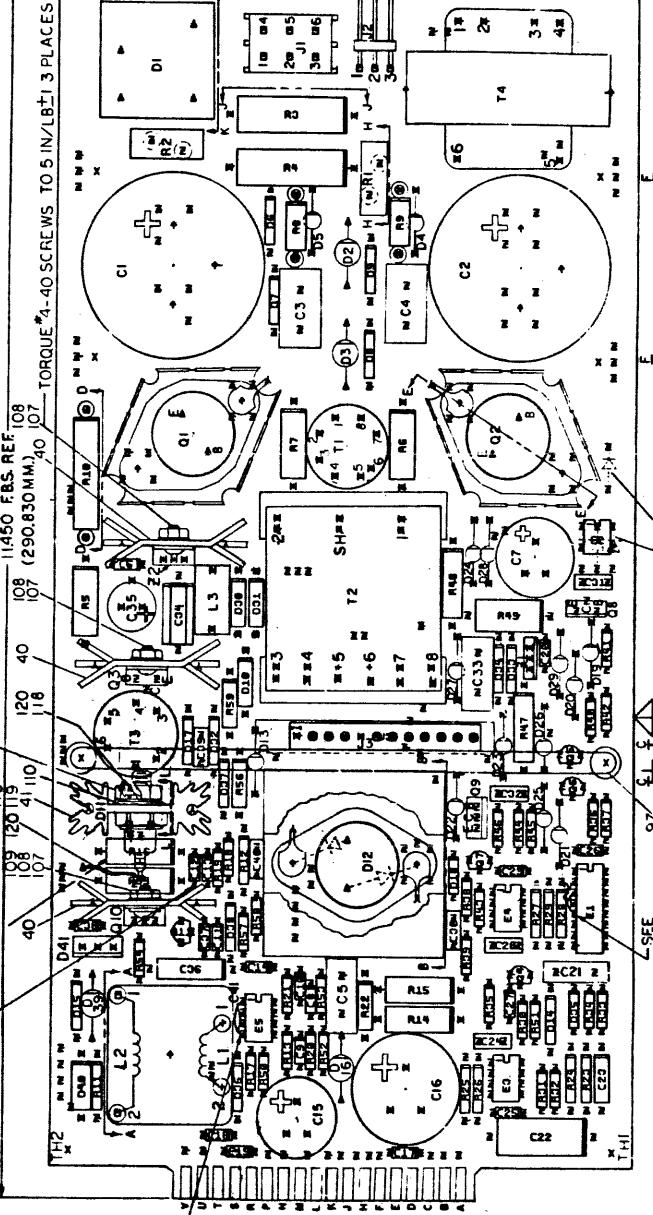
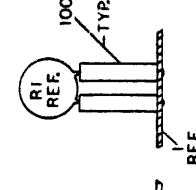
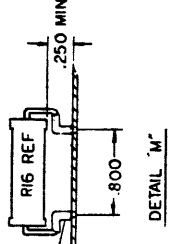
REF. SECTION VIEW D-D. TYP. MTG. FOR R8, R9 & R10.



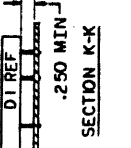
REF. SECTION VIEW E-E. TYP. ASSEMBLY FOR Q1 & Q2. TORQUE \*6-32 SCREWS TO 8 IN/LB.±1.



REF. VIEW F-F. TYP. MTG. FOR R1 & R2. TORQUE \*10-32 SCREWS TO 16 IN/LB.±1.



SECTION VIEW J-J. TYP. MTG. FOR R3, R4, R14, R15, R16, R49, D10, D30 & D31. .250 MIN.



5625 FBS. REF. (142.875 MM)

NOTES:

1. THIS BOARD MEETS REQUIREMENTS FOR MULTIPLE.

DETAIL P

|          |         |
|----------|---------|
| DATE     | 2/28/68 |
| CHK'D BY | WJG     |
| APP'D BY | WJG     |
| SCALE    | 1:1     |
| FIG. NO. | 1       |
| REV.     |         |
| BY       |         |
| DATE     |         |

EXTRA HOLES FOR DISCRETE DIODE OPTION

|           |         |
|-----------|---------|
| SIGNATURE |         |
| DATE      | 2/28/68 |
| CHK'D BY  | WJG     |
| APP'D BY  | WJG     |
| SCALE     | 1:1     |
| FIG. NO.  | 1       |
| REV.      |         |
| BY        |         |
| DATE      |         |

digital  
TITLE POWER SUPPLY FOR VT103  
REVISION NUMBER  
EIA 5413739-0-0B

| LINE | ITEM | DOCUMENT NUMBER  | PART NUMBER | DESCRIPTION                   | QTY | PER VARIATION | REFERENCE DESIGNATOR   |
|------|------|------------------|-------------|-------------------------------|-----|---------------|--|
| 1    | 1    | D-MD-5013738-0-0 | 5013738-00  | ETCH CIRCUIT BD               | 1   |               |  |
| 2    | 2    |                  | 1014265-00  | .22 MFD 50V +80-20% CER       | 16  |               | CONT C6, C8, C10, C11, C13, C14, C17-C20, C25-C27, C29, C37, C38 |
| 3    | 3    |                  | 1014170-00  | 2700.0 MMF 100V 1% 70PPM MICA | 1   |               | C21  |
| 4    | 4    |                  | 1005328-00  | .33 MFD 20V 10% S.TANT        | 1   |               | C23  |
| 5    | 5    |                  | 1000039-00  | .056 MFD 200V 10% MYLR        | 1   |               | C22  |
| 6    | 6    |                  | 1000042-00  | 1000.0 MMF 100V 5%200PPM MICA | 3   |               | C39, C28, C9   |
| 7    | 7    |                  | 1000009-00  | 33.0 MMF 100V 5%200PPM MICA   | 1   |               | C24  |
| 8    | 8    |                  | 1000016-00  | 100.0 MMF 100V 5%200PPM MICA  | 1   |               | C30  |
| 9    | 9    |                  | 1000055-00  | 2200.0 MMF 250V 20% Y55 DISC  | 2   |               | C31, C32   |
| 10   | 10   |                  | 1011847-01  | .01 MFD 400V 10% POLYPROP     | 2   |               | C33, C5  |
| 11   | 11   |                  | 1016390-00  | 1100 MFD 200V +50-10% AL EL   | 2   |               | C1, C2   |
| 12   | 12   |                  | 1016397-00  | 1000 MFD 40V +75-10% AL EL    | 1   |               | C7   |
| 13   | 13   |                  | 1016397-01  | 2800 MFD 16V +75-10% AL EL    | 1   |               | C15  |
| 14   | 14   |                  | 1014260-00  | 11,000 MFD 6.3V +75-10% AL EL | 1   |               | C16  |
| 15   | 15   |                  | 1014139-00  | .0022 MFD 600V 10% POLYPROP   | 2   |               | C3, C4   |
| 16   | 16   |                  | 1005306-00  | 6.8MFD 35V 10% S.TANT         | 1   |               | C36  |
| 17   | 17   |                  | 1012607-04  | 270 MFD 40V+100-10% AL EL     | 1   |               | C35  |
| 18   | 18   |                  | 1002174-00  | 2 MFD 25V +75-10% AL EL       | 1   |               | C34  |
| 19   | 19   |                  | 1115369-00  | VM 18 PIV=100 I=1A            | 1   |               | E2   |
| 20   | 20   |                  | 1114245-00  | NBS30600LPIV=600 I=30A        | 1   |               | D1   |
| 21   | 21   |                  | 1105796-00  | 1N 4004 PIV=400 I= 1A DO41 SP | 8   |               | D33, D34, D6-D9, D15, D36  |
| 22   | 22   |                  | 1112595-01  | A114B PIV=200 I= 1A           | 8   |               | D23, D27-D29, D24, D19, D13, D20                                 |
| 23   | 23   |                  | 1112595-00  | A114F PIV= 50 I= 1A           | 4   |               | D21, D22, D25, D26   |
| 24   | 24   |                  | 1100114-00  | D 664 QS\75PCB PIV= 25V SP    | 2   |               | D18, D35   |
| 25   | 25   |                  | 1105873-00  | 4M5-1AZ1 VZ= 5.1 1% .400W     | 1   |               | D14  |
| 26   | 26   |                  | 1112594-02  | A115M PIV=600 I= 3A           | 2   |               | D2, D3   |
| 27   | 27   |                  | 1112595-02  | A114M PIV=600 I= 1A           | 2   |               | D4, D5   |
| 28   | 28   |                  | 1110420-00  | 1N 5624 PIV=200 I= 5A         | 2   |               | D16, D39   |
| 29   | 29   |                  | 1115224-00  | VOLT. TRANS. SUPPRESS 12.1    | 1   |               | D40  |

| REVISION HISTORY |               |     | BASIC PART NO: 5413739  |                  |                  | DRN: JO ARMSTRONG DATE: 26-FEB-79 |           |                        | D I G I T A L |  |  |
|------------------|---------------|-----|-------------------------|------------------|------------------|-----------------------------------|-----------|------------------------|---------------|--|--|
| ENG              | ECO NUMBER    | REV | SECTION A OF A          | CHK'D:           | RITA BUREAU      | DATE:                             | 26-FEB-79 | TITLE                  | PARTS LIST    |  |  |
| ---              | INITIAL       | *   | SECTION VARIATION INDEX | DES.ENG:         | V. VORPERIAN     | DATE:                             | 26-FEB-79 | POWER SUPPLY FOR VT103 |               |  |  |
| VV               | 5413739-ML001 | A   | [A] 00                  | RESP.ENG.:       | V. VORPERIAN     | DATE:                             | 26-FEB-79 | DOCUMENT NUMBER        |               |  |  |
| AP               | 5413739-ML002 | B   | [B]                     | MFG.ENG.:        | AL JONES         | DATE:                             | 13-JUN-79 | SIZE: CODE: NUMBER     | REV           |  |  |
| AP               | 5413739-ML004 | C   | [C]                     | ASSEMBLY NUMBER: | D-UA-5413739-0-0 | TOP DOCUMENT NUMBER:              |           | FILE NAME:             | EDIT #        |  |  |
| G.C.             | 5413739-ML006 | D   | [D]                     |                  |                  |                                   |           | Z02260.PLS             | 32            |  |  |
|                  |               |     | [E]                     |                  |                  |                                   |           |                        |               |  |  |
|                  |               |     | [F]                     |                  |                  |                                   |           |                        |               |  |  |
|                  |               |     | [H]                     |                  |                  |                                   |           |                        |               |  |  |
|                  |               |     | [J]                     |                  |                  |                                   |           |                        |               |  |  |
|                  |               |     | [K]                     |                  |                  |                                   |           |                        |               |  |  |
|                  |               |     | [L]                     |                  |                  |                                   |           |                        |               |  |  |
|                  |               |     | [M]                     |                  |                  |                                   |           |                        |               |  |  |
|                  |               |     | [N]                     |                  |                  |                                   |           |                        |               |  |  |

"THIS DRAWING AND SPECIFICATIONS HEREIN, ARE THE PROPERTY OF DIGITAL EQUIPMENT CORPORATION AND SHALL NOT BE REPRODUCED OR COPIED OR USED IN WHOLE OR IN PART AS THE BASIS FOR THE MANUFACTURE OR SALE OF ITEMS WITHOUT WRITTEN PERMISSION. COPYRIGHT (C) 1981. DIGITAL EQUIPMENT CORPORATION"

| LINE ITEM | DOCUMENT NUMBER | PART NUMBER | DESCRIPTION                   | QTY PER VARIATION<br>00 | REFERENCE DESIGNATOR |
|-----------|-----------------|-------------|-------------------------------|-------------------------|----------------------|
| 30        | 30              | 1116645-02  | UES 703 PIV=150V I=25A        | 1                       | D11                  |
| 31        | 31              | 1115272-00  | UES1303 PIV=150 I=6A          | 3                       | D30, D31, D10        |
| 32        | 32              | 1102421-00  | 1N 753A VZ= 6.2 5% .40W P     | 1                       | D37                  |
| 33        | 33              | 1116323-00  | SD 241 PIV= 45 I=30A          | 1                       | D12                  |
| 34        | 34              | 1103351-00  | 1N 4764A VZ=100.0 5% 1W Y     | 2                       | D17, D32             |
| 35        | 35              | 1111205-00  | SCREENED VZ= 5.7 2% .40W      | 1                       | D38                  |
| 36        | 36              | 1212297-05  | MATE-N-LOK 6PIN UNIV HEADER   | 1                       | J1                   |
| 37        | 37              | 1212204-10  | HEADER.156 3POS RT ANGLE      | 1                       | J2                   |
| 38        | 38              | 1214257-00  | EDGE CARD 12PIN STRAIGHT      | 1                       | J3                   |
| 39        | 39              | 1213426-03  | HEAT SINK TO-3 1"HIGH         | 2                       |                      |
| 40        | 40              | 1212531-01  | HEAT SINK, COMPONENT          | 3                       |                      |
| 41        | 41              | 1213921-05  | HEAT SINK, TAB MNT SEMI       | 1                       |                      |
| 42        | 42              | 1211987-03  | HEAT SINK                     | 1                       |                      |
| 43        | 43              | 1314270-02  | 2.50 15.0 % NTC THERM         | 2                       | R1, R2               |
| 44        | 44              | 1314088-00  | 20.0 K 5.0 W 5.0 % WW         | 2                       | R3, R4               |
| 45        | 45              | 1314350-00  | 1.0 2.0 W10.0 % FUSE          | 3                       | R5-R7                |
| 46        | 46              | 1314675-00  | 1.0 K 3.0 W 5.0 % WW          | 2                       | R8, R9               |
| 47        | 47              | 1300168-00  | 10.0 .50 W 5.0 % CC           | 1                       | R22                  |
| 48        | 48              | 1305128-00  | 5.62 K .25 W 1.0 % RN55D-F10  | 1                       | R52                  |
| 49        | 49              | 1309413-00  | 3.83 K .25 W 1.0 % RN55D-F10  | 1                       | R11                  |
| 50        | 50              | 1302858-00  | 100.0 .25 W 1.0 % RN55D-F10   | 2                       | R12, R53             |
| 51        | 51              | 1303187-00  | 820.0 K .25 W 5.0 % CC        | 1                       | R31                  |
| 52        | 52              | 1302715-00  | *** THIS ITEM IS NOT USED *** | -                       |                      |
| 53        | 53              | 1300365-00  | 1.0 K .25 W 5.0 % CC          | 2                       | R36, R39             |
| 54        | 54              | 1302466-00  | 100.0 K .25 W 5.0 % CC        | 2                       | R19, R21             |
| 55        | 55              | 1310876-03  | .05 5.0 W 3.0 % WW            | 1                       | R16                  |
| 56        | 56              | 1313014-00  | .01 3.75 W 3.0 % WW           | 2                       | R14, R15             |
| 57        | 57              | 1316638-00  | 2.49 K .25 W .10% RNS5E-B 2   | 1                       | R25                  |
| 58        | 58              | 1309295-00  | 1.80 K .25 W .10% RNS5E-B 2   | 1                       | R26                  |
| 59        | 59              | 1314187-00  | 6.19 K .25 W 1.0 % RN55D-F10  | 1                       | R29                  |
| 60        | 60              | 1300488-00  | 12.0 K .25 W 5.0 % CC         | 1                       | R32                  |
| 61        | 61              | 1302091-00  | 330.0 K .25 W 5.0 % CC        | 1                       | R34                  |
| 62        | 62              | 1302177-00  | 47.0 K .25 W 5.0 % CC         | 1                       | R33                  |
| 63        | 63              | 1302388-00  | 2.0 K .25 W 5.0 % CC          | 1                       | R38                  |
| 64        | 64              | 1301317-00  | 10.0 .25 W 5.0 % CC           | 4                       | R37, R45, R41, R50   |
| 65        | 65              | 1300271-00  | 220.0 .25 W 5.0 % CC          | 2                       | R40, R44             |
| 66        | 66              | 1300496-00  | 15.0 K .25 W 5.0 % CC         | 1                       | R43                  |
| 67        | 67              | 1300417-00  | 2.20 K .25 W 5.0 % CC         | 1                       | R30                  |
| 68        | 68              | 1300219-00  | 68.0 .25 W 5.0 % CC           | 2                       | R42, R46             |
| 69        | 69              | 1316394-00  | 270.0 3.0 W 5.0 % WW10        | 2                       | R47, R48             |
| 70        | 70              | 1314239-00  | 33.0 3.0 W 5.0 % WW           | 1                       | R49                  |
| 71        | 71              | 1300426-00  | 2.70 K .25 W 5.0 % CC         | 1                       | R35                  |
| 72        | 72              | 1309094-00  | 100.0 5.0 W 5.0 % WW          | 1                       | R10                  |
| 73        | 73              | 1301695-00  | 47.0 .50 W 5.0 % CC           | 2                       | R56, R59             |
| 74        | 74              | 1309023-00  | 2.70 K 1.0 W10.0 % CC         | 1                       | R55                  |
| 75        | 75              | 1300295-00  | 330.0 .25 W 5.0 % CC          | 1                       | R51                  |
| 76        | 76              | 1305432-00  | 5.11 K .25 W .10% RNS5E-B 2   | 3                       | R23, R24, R28        |
| 77        | 77              | 1300316-00  | 470.0 .25 W 5.0 % CC          | 1                       | R54                  |

|   |   |   |   |   |   |   |                        |                |      |      |                 |     |
|---|---|---|---|---|---|---|------------------------|----------------|------|------|-----------------|-----|
| D | I | G | I | T | A | L | TITLE                  | SECTION A OF A | SIZE | CODE | DOCUMENT NUMBER | REV |
|   |   |   |   |   |   |   | POWER SUPPLY FOR VT103 |                | K    | PL   | 5413739-0-DBP   | D   |

| LINE | ITEM | DOCUMENT NUMBER | PART NUMBER | DESCRIPTION                        | QTY PER VARIATION | REFERENCE DESIGNATOR |
|------|------|-----------------|-------------|------------------------------------|-------------------|----------------------|
|      |      |                 |             |                                    | 00                |                      |
| 78   | 78   |                 | 1300202-00  | 47.0 .25 W 5.0 % CC                | 1                 | R57                  |
| 79   | 79   |                 | 1512782-00  | NPN 100W S1325 15                  | 2                 | Q1, Q2               |
| 80   | 80   |                 | 1516440-00  | MJE15030 NPN 50WC SI150 40         | 1                 | Q3                   |
| 81   | 81   |                 | 1510706-00  | XA 55 PNP 500MW SI 60 50 P         | 2                 | Q4, Q6               |
| 82   | 82   |                 | 1510705-00  | XA 05 NPN 500MW SI 60 50 P         | 2                 | Q5, Q7               |
| 83   | 83   |                 | 1514271-00  | D 44Q1 NPN 4WC SI125 20            | 3                 | Q8-Q10               |
| 84   | 84   |                 | 1510877-00  | 2N 6028 UJT 300MW R67B             | 1                 | Q11                  |
| 85   | 85   |                 | 1505867-00  | 2N 4441 SCRD 50V & 8A              | 1                 | D41                  |
| 86   | 86   |                 | 1616487-00  | 500 UH 10% .6A                     | 1                 | L3                   |
| 87   | 87   |                 | 1615253-00  | XFMR P=AB S=25V                    | 1                 | T4                   |
| 88   | 88   |                 | 1614273-00  | PULSE XFMR, TRI-WOUND              | 1                 | T3                   |
| 89   | 89   |                 | 1614272-00  | PULSE XFMR, 4 WOUND                | 1                 | T1                   |
| 90   | 90   |                 | 1616486-00  | XFMR P=200-375 S=VARIABLE          | 1                 | T2                   |
| 91   | 91   |                 | 1614261-00  | 24.0 UH-80UH DUAL INDUCTOR         | 1                 | L1, L2               |
| 92   | 92   |                 | 1912048-02  | DEC 7812 VOLT REG, FIX +12V        | 2                 | Z1, Z2               |
| 93   | 93   |                 | 1914156-00  | LM 393 VOLT. COMPARATOR DUAL       | 1                 | E5                   |
| 94   | 94   |                 | 1911944-00  | 555CN TIMER, FUNCT. BLOCK          | 1                 | E4                   |
| 95   | 95   |                 | 1910282-00  | 301AN OP AMP                       | 1                 | E3                   |
| 96   | 96   |                 | 1914250-00  | 3524 MODULATOR-REGULATING          | 1                 | E1                   |
| 97   | 97   |                 | 7422625-00  | SUPPORT, CARD                      | 1                 |                      |
| 98   | 98   |                 | 1309422-00  | 5.10 .25 W 5.0 % CC                | 1                 | R58                  |
| 99   | 99   |                 | 1001610-01  | .01 MFD50/100V +80-20% DISC        | 2                 | C40, C41             |
| 100  | 100  |                 | 9009798-00  | SPACER, CERAMIC, .186 ODX.078 ID   | 4                 |                      |
| 101  | 101  |                 | 9009798-01  | SPACER, CERAMIC, .186 ODX.078 ID   | 6                 |                      |
| 102  | 102  |                 | 1214789-00  | INSERT, THREADED 6-32, BRASS, ELEC | 6                 |                      |
| 103  | 103  |                 | 9006024-01  | SCREW, PAN, PHIL 6-32X 1/2 SS      | 4                 |                      |
| 104  | 104  |                 | 9007801-00  | WASHER, LOCK, S.S. #6              | 6                 |                      |
| 105  | 105  |                 | 9006656-00  | WASHER, FLAT, .312 O.D. X .156 I   | 6                 |                      |
| 106  | 106  |                 | 9008185-00  | NUT, KEP 6-32X1/4 AF               | 2                 |                      |
| 107  | 107  |                 | 9006557-00  | NUT, KEP 4-40X 1/4 AF              | 3                 |                      |
| 108  | 108  |                 | 9006010-01  | SCREW, PAN, PHIL 4-40X 5/16 SS     | 3                 |                      |
| 109  | 109  |                 | 9009769-00  | WASHER, RECTANGULAR .405X.225X.0   | 1                 |                      |
| 110  | 110  |                 | 9006664-00  | WASHER, FLAT, .437 OD X .218 ID    | 2                 |                      |
| 111  | 111  |                 | 9006565-00  | NUT, KEP 10-32X 3/8 AF             | 2                 |                      |
| 112  | 112  |                 | 9006025-01  | SCREW, PAN, PHIL 6-32X 5/8 SS      | 2                 |                      |
| 113  | 113  |                 | 9009236-00  | SCREW, TAPPING, TYPE F, PAN, PHIL, | 2                 |                      |
| 114  | 114  |                 | 9009676-00  | TERM LUG 1POS SOLDER               | 4                 |                      |
| 115  | 115  |                 | 9000038-13  | SCREW, PAN, PHIL 10-32X 5/16 BR/T  | 4                 |                      |
| 116  | 116  |                 | 9009950-01  | WASHER, FLAT BR/TIN .203ID X .4380 | 4                 |                      |
| 117  | 117  |                 | 9007906-00  | WASHER, LOCK S.S. #10              | 4                 |                      |
| 118  | 118  |                 | 9009909-00  | TERM LUG 1POS SOLDER, FLAT .19     | 1                 |                      |
| 119  | 119  |                 | 9008172-00  | WASHER, FLAT, SS .250 OD X .125 I  | 2                 |                      |
| 120  | 120  |                 | 9107360-88  | WIRE, STRND, 18AWG, IPVC UL1429    | A/R               |                      |
| 121  | 121  |                 | 1313476-00  | 51.10 K .25 W 1.0 % RN55D-F10      | 2                 | R17, R13             |
| 122  | 122  |                 | 1300229-00  | 100.0 .25 W 5.0 % CC               | 2                 | R18, R20             |
| 123  | 123  |                 | 9107295-11  | TUBING, THIN WALL, .066ID UL       | A/R               |                      |
| 124  | 124  |                 | 1317231-00  | 4.99 K .25 W .10% RN55E-B 2        | 1                 | R27                  |

|   |   |   |   |   |   |   |                        |                |      |      |                 |     |
|---|---|---|---|---|---|---|------------------------|----------------|------|------|-----------------|-----|
| D | I | G | I | T | A | L | TITLE                  | SECTION A OF A | SIZE | CODE | DOCUMENT NUMBER | REV |
|   |   |   |   |   |   |   | POWER SUPPLY FOR VT103 |                | K    | PL   | 5413739-0-DBP   | D   |

AUTOMATED BY PRTLST.3H(24)

PARTS LIST

SHEET A4 OF A4

LINE ITEM DOCUMENT NUMBER

PART NUMBER

DESCRIPTION

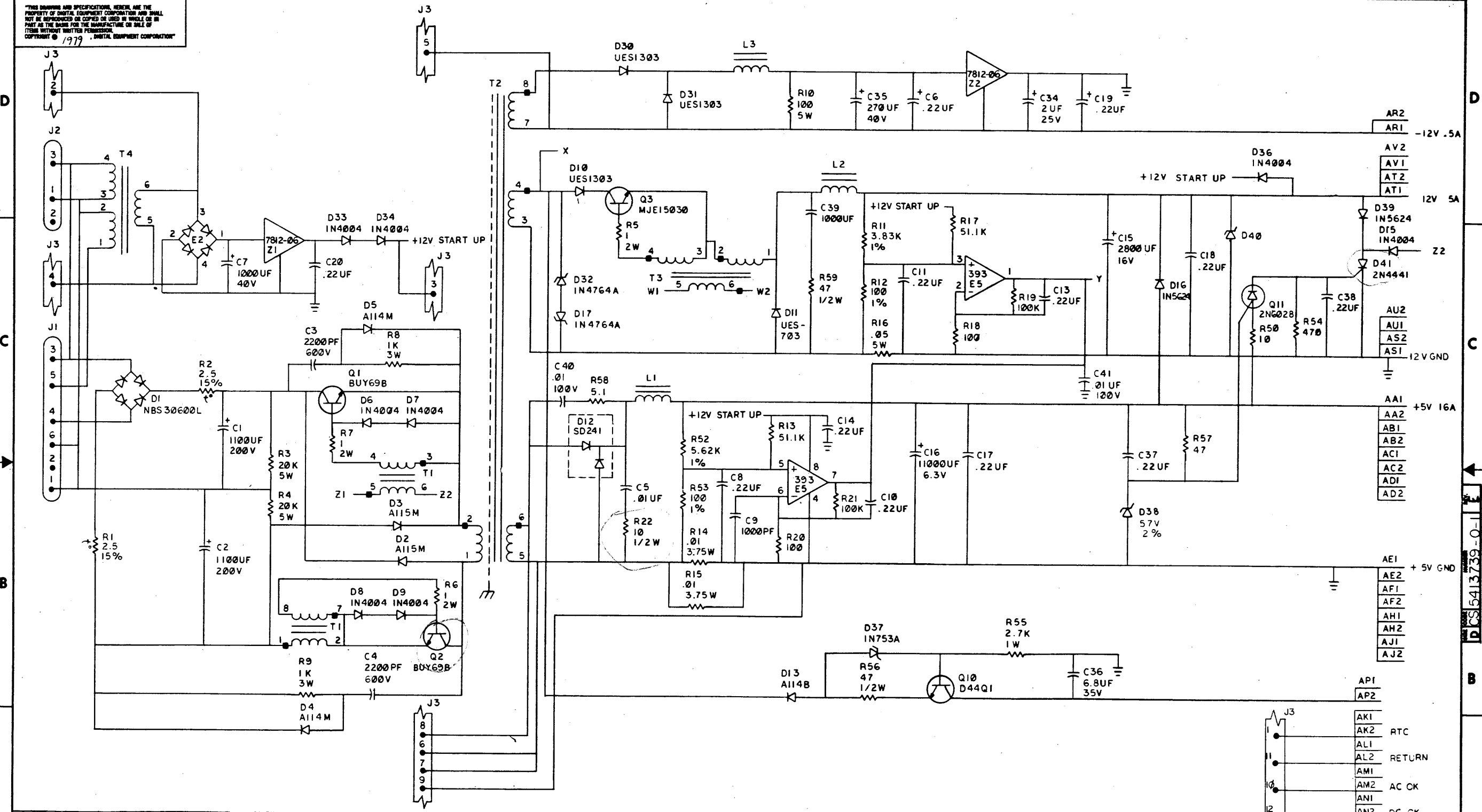
QTY PER VARIATION  
00

REFERENCE DESIGNATOR

125 NOTE: IF PART NO. 1514271-00 IS NOT AVAILALABLE, USE PART NO. 1514271-01

|   |   |   |   |   |   |   |       |                        |           |      |      |      |                 |     |
|---|---|---|---|---|---|---|-------|------------------------|-----------|------|------|------|-----------------|-----|
| D | I | G | I | T | A | L | TITLE | POWER SUPPLY FOR VT103 | SECTION A | OF A | SIZE | CODE | DOCUMENT NUMBER | REV |
|   |   |   |   |   |   |   |       |                        |           |      | K    | PL   | 5413739-0-DBP   | D   |

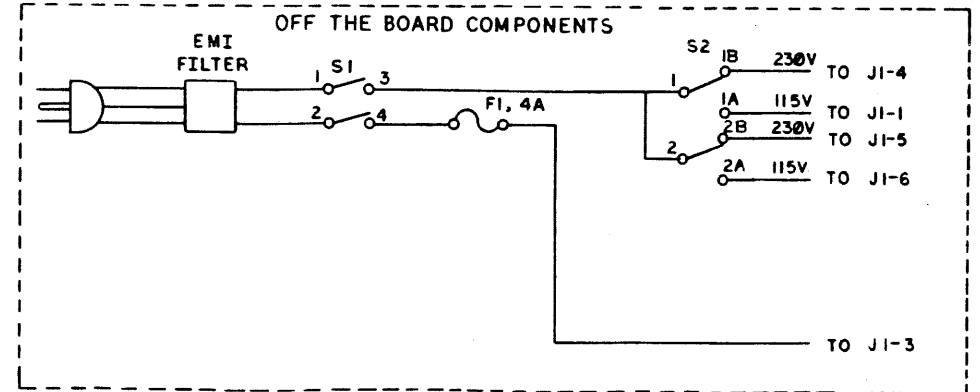
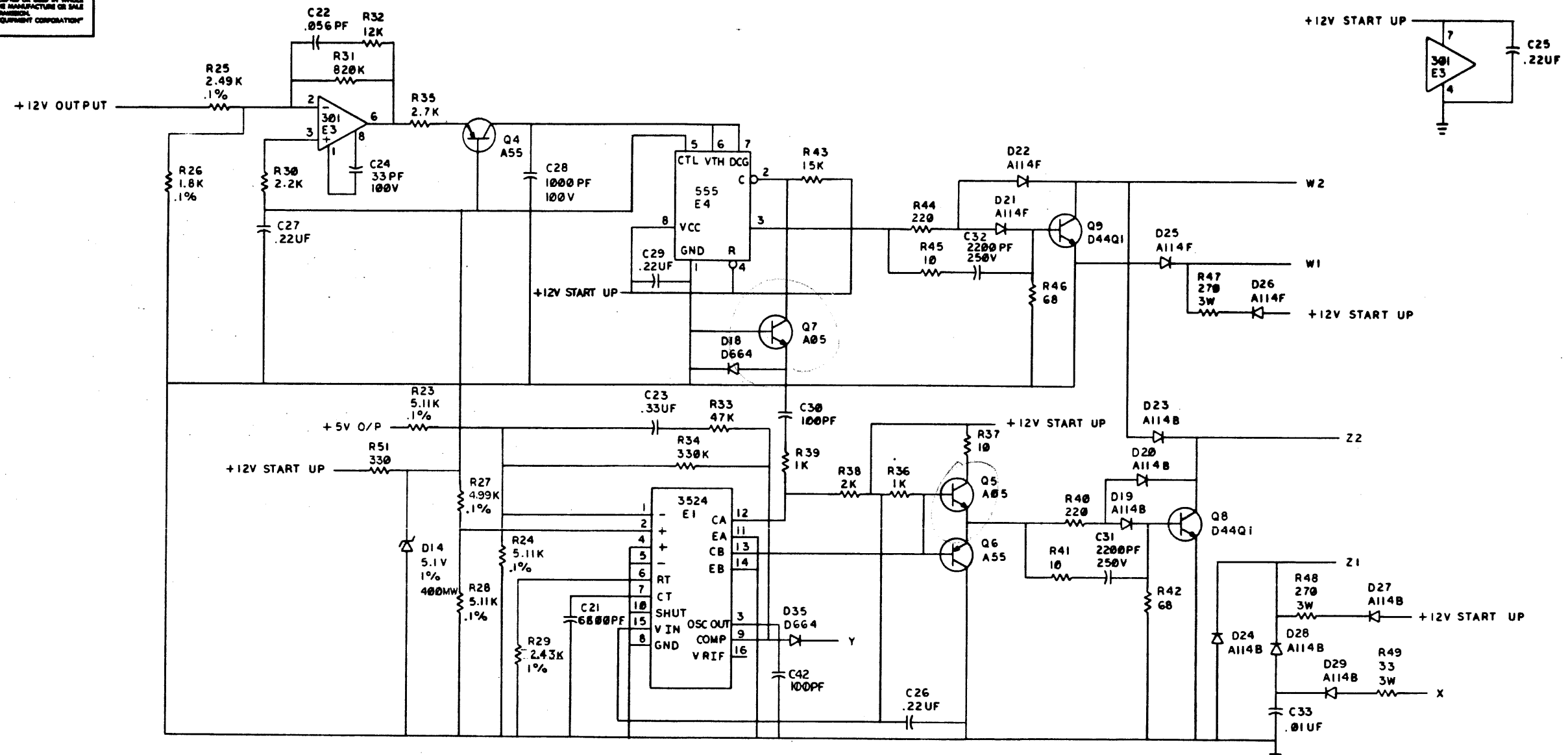
THIS DRAWING AND SPECIFICATIONS HEREIN ARE THE PROPERTY OF DIGITAL EQUIPMENT CORPORATION AND SHALL NOT BE REPRODUCED OR COPIED OR USED IN WHOLE OR IN PART AS THE BASIS FOR THE MANUFACTURE OR SALE OF ITEMS WITHOUT WRITTEN PERMISSION.  
 COPYRIGHT © 1977, DIGITAL EQUIPMENT CORPORATION



| REV. | CHG. | NO. | DATE     | BY                | CHK'D |
|------|------|-----|----------|-------------------|-------|
| A    |      | 1   | 11/18/77 | V. VOELBRIAN      |       |
| B    |      | 2   | 11/22/77 | A. PARKER         |       |
| C    |      | 3   | 11/22/77 | GARY CHRISTIANSEN |       |
| D    |      | 4   | 11/22/77 | GARY CHRISTIANSEN |       |
| E    |      | 5   | 11/22/77 | GARY CHRISTIANSEN |       |

|                   |          |               |                        |
|-------------------|----------|---------------|------------------------|
| DRN               | 11/18/77 | FIRST USED ON | H7835                  |
| CHK'D             | 11/22/77 | TITLE         | POWER SUPPLY FOR VT103 |
| ENG. DES.         | 11/22/77 | SIZE          | D                      |
| PROJ. ENG.        | 11/22/77 | CODE          | CS5413739-0-1          |
| PROD. ENG.        | 11/22/77 | NUMBER        | 1                      |
| NEXT HIGHER ASSY. |          | REV.          | E                      |
| B-DD-5413739-0    |          | SHEET         | 1 OF 2                 |

THIS DRAWING AND SPECIFICATIONS HEREIN ARE THE PROPERTY OF DIGITAL EQUIPMENT CORPORATION AND SHALL NOT BE REPRODUCED OR COPIED OR USED IN WHOLE OR IN PART AS THE BASIS FOR THE MANUFACTURE OR SALE OF ITEMS WITHOUT WRITTEN PERMISSION. COPYRIGHT © 1977, DIGITAL EQUIPMENT CORPORATION



| REVISIONS |            |      |
|-----------|------------|------|
| CHK       | CHANGE NO. | REV. |
|           |            |      |

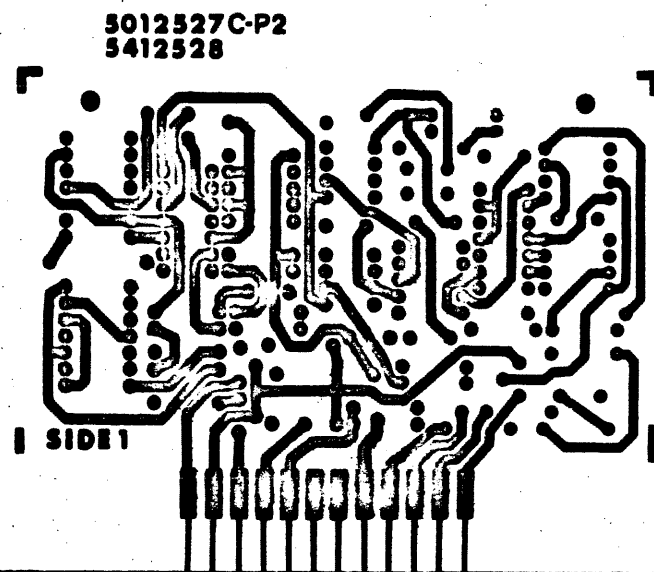
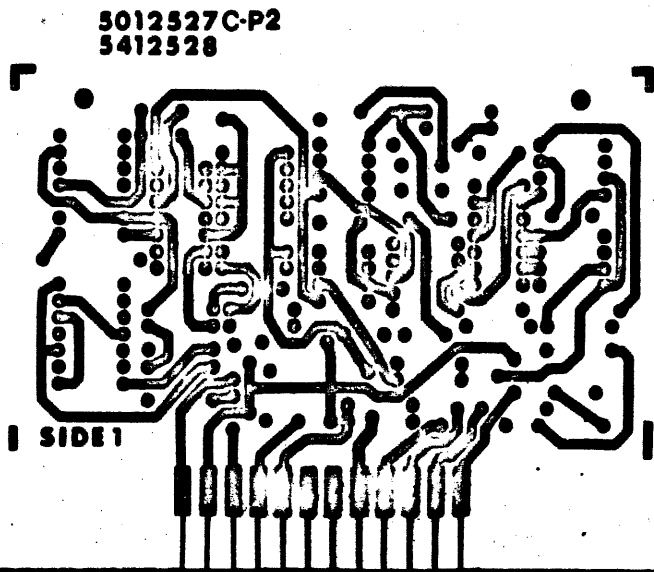
|       |                        |           |     |        |             |       |   |
|-------|------------------------|-----------|-----|--------|-------------|-------|---|
| TITLE | POWER SUPPLY FOR VT103 | SIZE/COOE | DCS | NUMBER | 5413739-0-1 | REV.  | E |
| SCALE |                        | SHEET     | 2   | OF     | 2           | DIST. |   |





8 7 6 5 4 3 2 1

ALL DIMENSIONS ARE IN INCHES UNLESS OTHERWISE SPECIFIED.  
TOLERANCES ARE AS SHOWN.  
01079



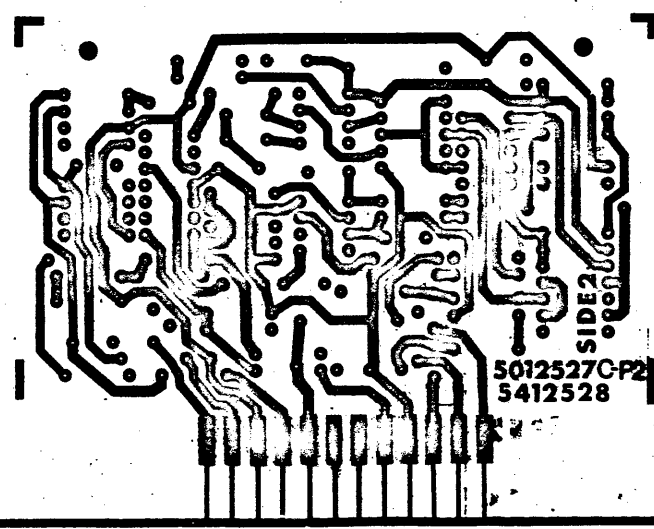
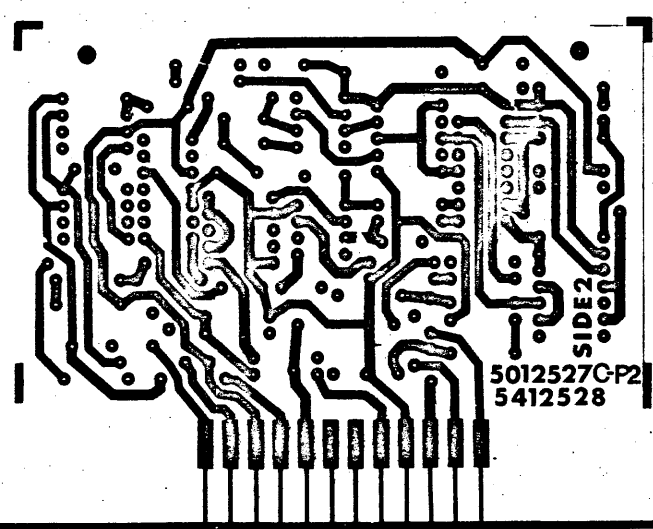
↑  
C  
B  
A

| REVISIONS |             |      |
|-----------|-------------|------|
| NO.       | DESCRIPTION | DATE |
|           |             |      |
|           |             |      |

|       |                      |           |        |        |             |     |   |
|-------|----------------------|-----------|--------|--------|-------------|-----|---|
| TITLE | DRILL & ETCH DRAWING | SIZE CODE | D UA   | NUMBER | 5412528-0-0 | REV | C |
| SCALE | 2:1                  | SHEET     | 2 OF 3 | LIST   |             |     |   |

8 7 6 5 4 3 2 1

6/79



| REVISIONS |           |     |
|-----------|-----------|-----|
| CHK       | CHANGE NO | REV |
|           |           |     |

|       |                      |           |      |        |             |       |   |
|-------|----------------------|-----------|------|--------|-------------|-------|---|
| TITLE | DRILL & ETCH DRAWING | SIZE CODE | D UA | NUMBER | 5412528-0-0 | REV.  | C |
| SCALE | 2/1                  | SHEET     | 3    | OF     | 3           | DIST. |   |

DRILL & ETCH DRAWING

| LINE | ITEM | DOCUMENT NUMBER  | PART NUMBER | DESCRIPTION                   | QTY | PER VARIATION | REFERENCE DESIGNATOR                             |
|------|------|------------------|-------------|-------------------------------|-----|---------------|--|
|      |      |                  |             |                               | UU  |               |  |
| 1    | 1    | D-MD-5012527-0-0 | 5012527-00  | 5412528                       | 1   |               |  |
| 2    | 2    |                  | 1010274-00  | .22 MFD 50V +80-20% Z5U CER   | 8   |               | C1, C2, C3, C4, C9, C10, C13, C16                |
| 3    | 3    |                  | 1000016-00  | 100.0 MMF 100V 5%200PPM MICA  | 1   |               | C14  |
| 4    | 4    |                  | 1001610-00  | .01 MFD 50V +80-20% Z5U CER   | 2   |               | C7, C8   |
| 5    | 5    |                  | 1010031-03  | .22 MFD 50V 10% M.POLYCARB    | 2   |               | C11, C12   |
| 6    | 6    |                  | 1005116-00  | 3300.0 MMF 200V 10% MET. MYLR | 1   |               | C15  |
| 7    | 7    |                  | 1100125-00  | 1N 758A VZ= 10.0 5% .40W PPE  | 1   |               | D1   |
| 8    | 8    |                  | 1105873-00  | 4M5-1A21 VZ= 5.1 1% .400W     | 1   |               | D2   |
| 9    | 9    |                  | 1100114-00  | D 664 QS\75PC8 PIV= 25V SP    | 4   |               | D4, D5, D7, D8                                   |
| 10   | 10   |                  | 1301322-00  | 180.0 .25 W 5.0 % CC          | 1   |               | R1   |
| 11   | 11   |                  | 1301808-00  | 22.0 K .25 W 5.0 % CC         | 4   |               | R2, R3, R9, R13                                  |
| 12   | 12   |                  | 1300247-00  | 120.0 .25 W 5.0 % CC          | 1   |               | R4   |
| 13   | 13   |                  | 1313476-00  | 51.10 K .25 W 1.0 % RN55D-F10 | 1   |               | R5   |
| 14   | 14   |                  | 1311320-00  | 90.90 K .25 W 1.0 % RN55D-F10 | 1   |               | R6   |
| 15   | 15   |                  | 1309289-00  | 63.40 K .25 W .10% RN55E-B 2  | 1   |               | R7   |
| 16   | 16   |                  | 1300479-00  | 10.0 K .25 W 5.0 % CC         | 10  |               | R10, R17, R20, R32, R33, R34, R38, R42, R49, R35 |
| 17   | 17   |                  | 1305421-00  | 35.70 K .25 W 1.0 % RN55D-F10 | 2   | CONT          | R11, R12   |
| 18   | 18   |                  | 1300539-0J  | 120.0 K .25 W 5.0 % CC        | 1   |               | R14  |
| 19   | 19   |                  | 1305130-00  | 133.0 K .25 W 1.0 % RN55D-F10 | 1   |               | R8   |
| 20   | 20   |                  | 1309595-00  | 1.0 M .25 W 5.0 % CC          | 6   |               | R15, R18, R30, R37, R36, R44                     |
| 21   | 21   |                  | 1300447-00  | 4.70 K .25 W 5.0 % CC         | 2   |               | R16, R19   |
| 22   | 22   |                  | 1301775-00  | 820.0 .25 W 5.0 % CC          | 1   |               | R21  |
| 23   | 23   |                  | 1313167-00  | 833.0 K .25 W 1.0 % RN55C-F 5 | 1   |               | R25  |
| 24   | 24   |                  | 1302395-00  | 56.0 K .25 W 5.0 % CC         | 6   |               | R26, R27, R28, R29, R40, R41                     |
| 25   | 25   |                  | 1309680-00  | 2.70 M .25 W 5.0 % CC         | 1   |               | R39  |
| 26   | 26   |                  | 1302466-00  | 100.0 K .25 W 5.0 % CC        | 3   |               | R31, R46, R47                                    |
| 27   | 27   |                  | 1300398-00  | 1.80 K .25 W 5.0 % CC         | 1   |               | R48  |
| 28   | 28   |                  | 1510705-00  | XA 05 NPN 500MW SI 60 50 P    | 1   |               | Q1   |
| 29   | 29   |                  | 1511686-00  | DEC5433 FET N 350MW 10 25 1A  | 2   |               | Q2, Q3   |

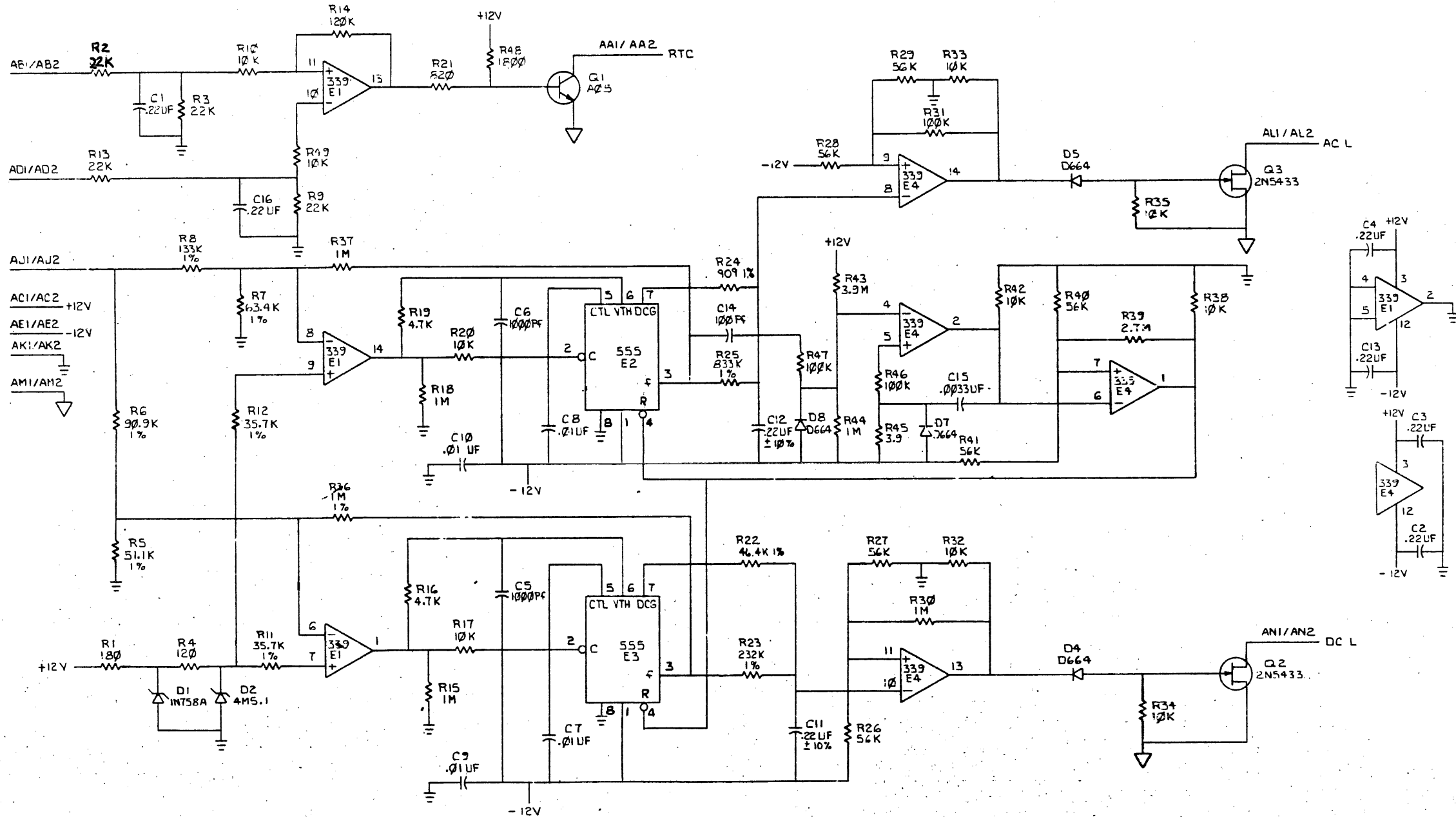
|                                   |               |                          |                         |
|-----------------------------------|---------------|--------------------------|-------------------------|
| REVISION HISTORY                  |               | BASIC PART NO: 5412528   |                         |
| ENG                               | ECO NUMBER    | REV                      | SECTION A OF A          |
|                                   | 5412528-ML002 | C                        | SECTION VARIATION INDEX |
|                                   |               |                          | [A] 00                  |
|                                   |               |                          | [B]                     |
|                                   |               |                          | [C]                     |
|                                   |               |                          | [D]                     |
|                                   |               |                          | [E]                     |
|                                   |               |                          | [F]                     |
|                                   |               |                          | [H]                     |
|                                   |               |                          | [J]                     |
|                                   |               |                          | [K]                     |
|                                   |               |                          | [L]                     |
|                                   |               |                          | [M]                     |
|                                   |               |                          | [N]                     |
| DRN: R.KOPPENALL                  |               | DATE: 07-MAR-79          |                         |
| CHK'D: K.GLEEZEN                  |               | DATE: 07-MAR-79          |                         |
| DES.ENG: JIM GREGORICH            |               | DATE: 07-MAR-79          |                         |
| RESP.ENG.: JIM GREGORICH          |               | DATE: 07-MAR-79          |                         |
| MFG.ENG.: R.HAMILTON              |               | DATE: 07-MAR-79          |                         |
| ASSEMBLY NUMBER: D-UA-5412528-0-0 |               | TOP DOCUMENT NUMBER:     |                         |
| TITLE: PARTS LIST                 |               | DOCUMENT NUMBER:         |                         |
| POWER MONITOR BOARD               |               | SIZE: CODE: NUMBER: REV: |                         |
| K PL 5412528-0-DBP                |               | C                        |                         |
| FILE NAME: 20411C.PLS             |               | EDIT # 3                 |                         |

"THIS DRAWING AND SPECIFICATIONS HEREIN, ARE THE PROPERTY OF DIGITAL EQUIPMENT CORPORATION AND SHALL NOT BE REPRODUCED OR COPIED OR USED IN WHOLE OR IN PART AS THE BASIS FOR THE MANUFACTURE OR SALE OF ITEMS WITHOUT WRITTEN PERMISSION. COPYRIGHT (C) 1981. DIGITAL EQUIPMENT CORPORATION"

| LINE ITEM | DOCUMENT NUMBER | PART NUMBER | DESCRIPTION                   | QTY PER VARIATION<br>00 | REFERENCE DESIGNATOR |
|-----------|-----------------|-------------|-------------------------------|-------------------------|----------------------|
| 30        | 30              | 1912109-00  | 339 VOLT CMPRTR, QUAD         | 2                       | E1, E4               |
| 31        | 31              | 1911944-00  | 555CN TIMER, FUNCT. BLOCK     | 2                       | E2, E3               |
| 32        | 32              | 1305424-00  | 232.0 K .25 W 1.0 % RN55D-F10 | 1                       | R23                  |
| 33        | 33              | 1314387-00  | 3.90 M .25 W 5.0 % CC         | 2                       | R43, R45             |
| 34        | 34              | 1000042-00  | 1000.0 MMF 100V 5%200PPM MICA | 2                       | C5, C6               |
| 35        | 35              | 7418695-00  | *** THIS ITEM IS NOT USED *** | -                       |                      |
| 36        | 36              | 9009000-00  | *** THIS ITEM IS NOT USED *** | -                       |                      |
| 37        | 37              | 9105740-55  | *** THIS ITEM IS NOT USED *** | -                       |                      |
| 38        | 38              | 1303311-00  | 46.40 K .25 W 1.0 % RN55D-F10 | 1                       | R22                  |
| 39        | 39              | 1302685-00  | 909.0 .25 W 1.0 % RN55D-F10   | 1                       | R24                  |
| 40        | 40              | 1215993-00  | RETAINER, CARD                | 1                       |                      |

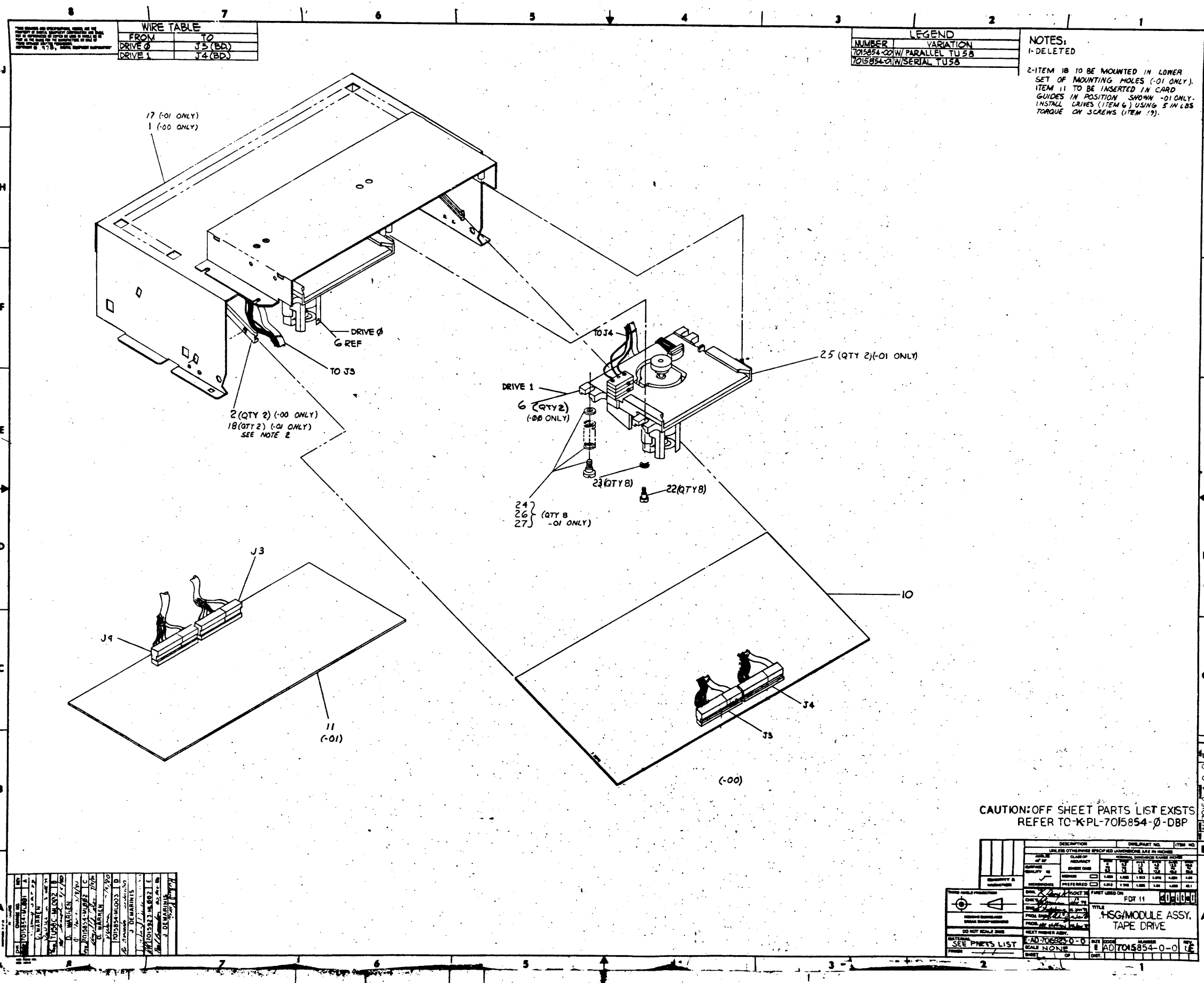
|   |   |   |   |   |   |   |                     |                |      |      |                 |     |
|---|---|---|---|---|---|---|---------------------|----------------|------|------|-----------------|-----|
| D | I | G | I | T | A | L | TITLE               | SECTION A OF A | SIZE | CODE | DOCUMENT NUMBER | REV |
|   |   |   |   |   |   |   | POWER MONITOR BOARD |                | K    | PL   | 5412528-0-DBP   | C   |

THIS DRAWING AND SPECIFICATIONS HEREIN ARE THE PROPERTY OF DIGITAL EQUIPMENT CORPORATION AND SHALL NOT BE REPRODUCED OR COPIED OR USED IN WHOLE OR IN PART AS THE BASIS FOR THE MANUFACTURE OR SALE OF ITEMS WITHOUT WRITTEN PERMISSION. COPYRIGHT © 1977, DIGITAL EQUIPMENT CORPORATION.



|               |      |
|---------------|------|
| REV. NO.      | REV. |
| 5412528-00001 | B    |
| 5412528-00002 | A    |
| 5412528-00003 | C    |
| 5412528-00004 | D    |
| 5412528-00005 | E    |
| 5412528-00006 | F    |
| 5412528-00007 | G    |
| 5412528-00008 | H    |
| 5412528-00009 | I    |
| 5412528-00010 | J    |
| 5412528-00011 | K    |
| 5412528-00012 | L    |
| 5412528-00013 | M    |
| 5412528-00014 | N    |
| 5412528-00015 | O    |
| 5412528-00016 | P    |
| 5412528-00017 | Q    |
| 5412528-00018 | R    |
| 5412528-00019 | S    |
| 5412528-00020 | T    |
| 5412528-00021 | U    |
| 5412528-00022 | V    |
| 5412528-00023 | W    |
| 5412528-00024 | X    |
| 5412528-00025 | Y    |
| 5412528-00026 | Z    |

|                  |        |                      |                     |         |
|------------------|--------|----------------------|---------------------|---------|
| DRN. P. H. H. H. | 4-6-77 | FIRST USED ON        | H786                | Digital |
| CHK. J. J. J.    | 2/3/77 | TITLE                | POWER MONITOR BOARD |         |
| ENGR. J. J. J.   | 8-1-77 | PROJ. ENGR. J. J. J. | NEXT HIGHER ASSY.   |         |
| SCALE            | 1/1    | SIZE CODE            | D CS                | NUMBER  |
| SHEET            | 1 OF 1 | DIST.                | 5412528-0-1         | REV. C  |



| WIRE TABLE |         |
|------------|---------|
| FROM       | TO      |
| DRIVE 0    | J3 (BD) |
| DRIVE 1    | J4 (BD) |

| LEGEND                     |           |
|----------------------------|-----------|
| NUMBER                     | VARIATION |
| 7015854-00/W/PARALLEL TUBS |           |
| 7015854-01/W/SERIAL TUBS   |           |

NOTES:  
 1-DELETED  
 2-ITEM 18 TO BE MOUNTED IN LOWER SET OF MOUNTING HOLES (-01 ONLY). ITEM 11 TO BE INSERTED IN CARD GUIDES IN POSITION SHOWN -01 ONLY. INSTALL DRIVES (ITEM 6) USING 5 IN LBS TORQUE ON SCREWS (ITEM 13).

| REV | DATE     | BY          | CHKD | DESCRIPTION           |
|-----|----------|-------------|------|-----------------------|
| 1   | 10/15/54 | J. DEWARREN |      | ISSUED FOR PRODUCTION |
| 2   | 11/15/54 | J. DEWARREN |      | REVISION TO TUBS      |
| 3   | 12/15/54 | J. DEWARREN |      | REVISION TO TUBS      |
| 4   | 1/15/55  | J. DEWARREN |      | REVISION TO TUBS      |
| 5   | 2/15/55  | J. DEWARREN |      | REVISION TO TUBS      |
| 6   | 3/15/55  | J. DEWARREN |      | REVISION TO TUBS      |
| 7   | 4/15/55  | J. DEWARREN |      | REVISION TO TUBS      |
| 8   | 5/15/55  | J. DEWARREN |      | REVISION TO TUBS      |
| 9   | 6/15/55  | J. DEWARREN |      | REVISION TO TUBS      |
| 10  | 7/15/55  | J. DEWARREN |      | REVISION TO TUBS      |
| 11  | 8/15/55  | J. DEWARREN |      | REVISION TO TUBS      |
| 12  | 9/15/55  | J. DEWARREN |      | REVISION TO TUBS      |
| 13  | 10/15/55 | J. DEWARREN |      | REVISION TO TUBS      |
| 14  | 11/15/55 | J. DEWARREN |      | REVISION TO TUBS      |
| 15  | 12/15/55 | J. DEWARREN |      | REVISION TO TUBS      |

CAUTION: OFF SHEET PARTS LIST EXISTS REFER TO K-PL-7015854-0-DBP

| DESCRIPTION                 | DRAWING NO. | ITEM NO. |
|-----------------------------|-------------|----------|
| HSG/MODULE ASSY. TAPE DRIVE | 7015854-0-0 | 1        |

UNLESS OTHERWISE SPECIFIED DIMENSIONS ARE IN INCHES

| CLASS OF FINISH | FINISH    | 1/8"   | 1/4"   | 3/8"   | 1/2"   | 3/4"   | 1"     |
|-----------------|-----------|--------|--------|--------|--------|--------|--------|
| ASSEMBLY        | PRECISION | 0.0005 | 0.0005 | 0.0005 | 0.0005 | 0.0005 | 0.0005 |
| FINISH          | PRECISION | 0.0005 | 0.0005 | 0.0005 | 0.0005 | 0.0005 | 0.0005 |
| FINISH          | PRECISION | 0.0005 | 0.0005 | 0.0005 | 0.0005 | 0.0005 | 0.0005 |

PROJECT NO. FDT 11

DATE: 10/15/54

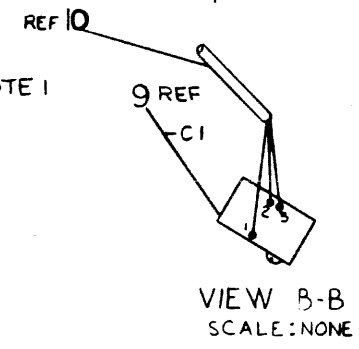
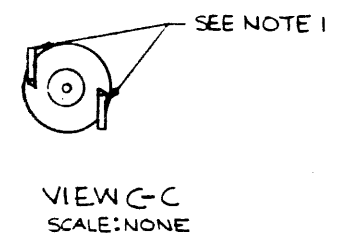
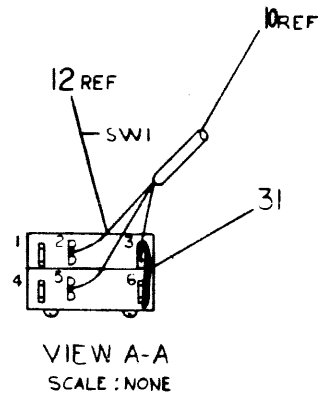
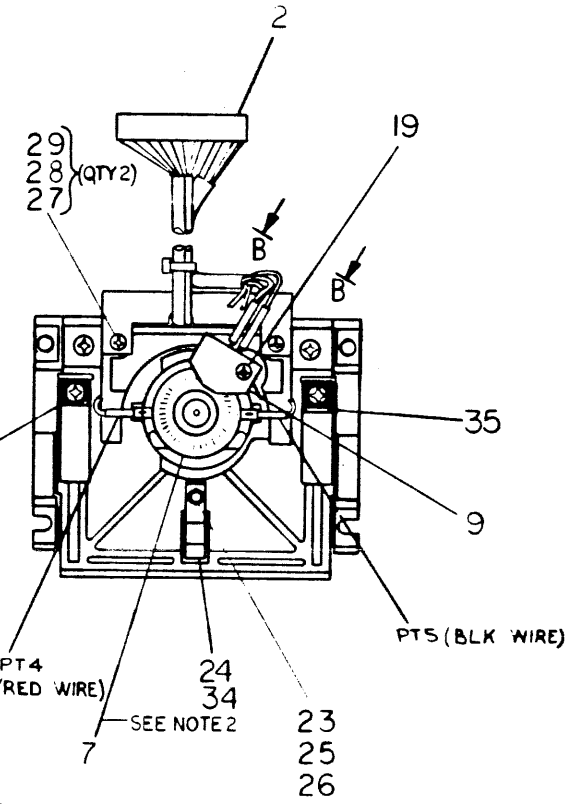
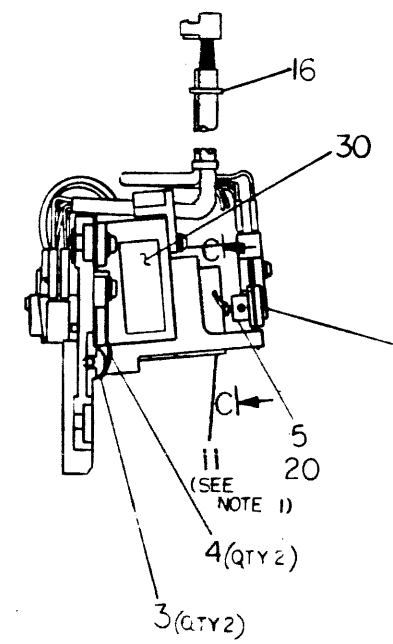
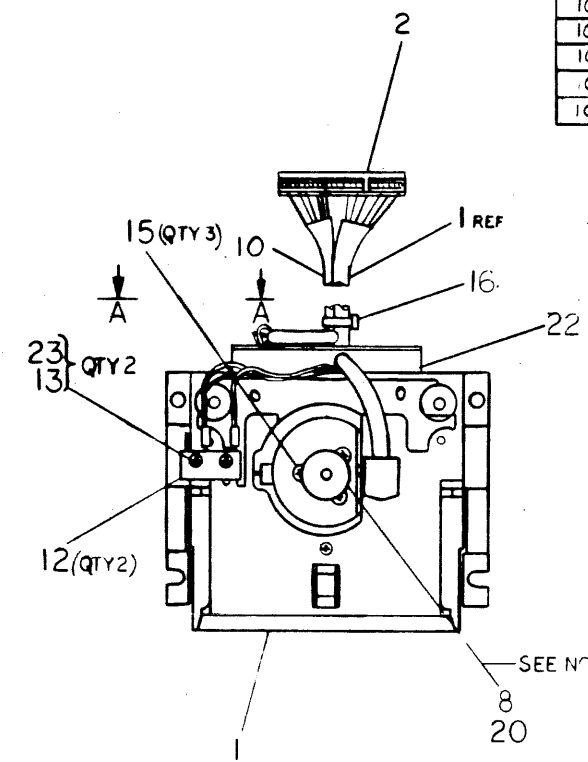
SCALE: NONE

SEE PARTS LIST

| WIRE TABLE |     |       |      |      |        |      |              |
|------------|-----|-------|------|------|--------|------|--------------|
| ITEM NO    | AWG | COLOR | CONN | WITH | CONN   | WITH | REMARKS      |
| 10         | 24  | VEL   | PT-2 | ---  | SWI-5  | ---  |              |
| 10         | 24  | GRY   | PT-1 | ---  | SWI-2  | ---  |              |
| 10         | 24  | VIO   | PT-3 | ---  | SWI-3  | ---  |              |
| 31         | 22  | ---   | SW-6 | SOLD | SWI-3  | SOLD | BUS WIRE     |
| 10         | 24  | GRN   | PT-6 | ---  | CI-3   | ---  |              |
| 10         | 24  | BRN   | PT-8 | ---  | CI-2   | ---  |              |
| 10         | 24  | BLU   | PT-7 | ---  | CI-1   | ---  |              |
| 0          | 24  | BLK   | PT-5 | ---  | MOTOR- | ---  |              |
| 10         | 24  | RED   | PT-4 | ---  | MOTOR+ | ---  | TWISTED PAIR |

- 8. ASSEMBLE ITEM<sup>s</sup> 5, 6 & 9 USING  $5 \pm .5$  IN LBS TORQUE.
- 9. CARTRIDGE WITHDRAWAL FORCE SHALL BE A MAXIMUM OF 4.0 LBS. AND WHEN AN EXCESS FORCE OF 1 LB. IS APPLIED TO THE DRIVE ROLLER (OUTWARD) AND IS REMOVED, THE CARTRIDGE SHALL STILL BE AGAINST THE DRIVE REFERENCE STOPS.
- 10. HEAD SKEW TO BE WITHIN  $6' \pm 0'6''$  AFTER FINAL ASSY.

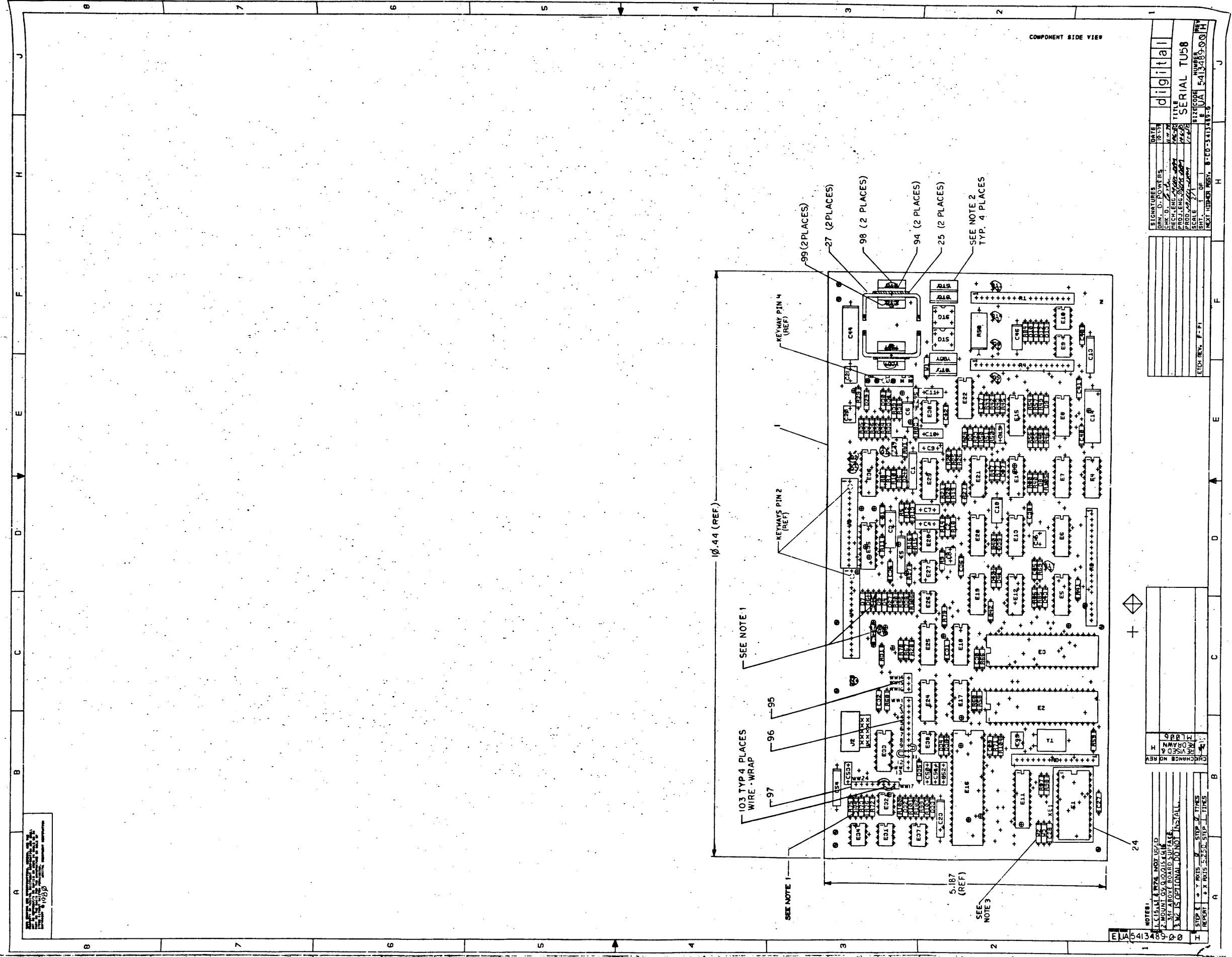
- NOTES:
- 1. MOTOR TO BE ROTATED TO PROVIDE EASIEST ACCESS TO TERMINALS PT4, PT5. MOTOR LEADS MAY BE BENT AS SHOWN IF NECESSARY TO CLEAR MOTOR MOUNT.
  - 2. CODE WHEEL ITEM #7 MUST ROTATE FREELY WITHOUT RUBBING IN SLOT IN OPTICAL SENSOR ITEM #9. TIGHTEN ITEM #20 TO  $3.5 \pm .5$  IN LBS. SET DRIVE ROLLER, ITEM #8, TO BE FLUSH WITH END OF MOTOR SHAFT ITEM #11. TIGHTEN ITEM #20 TO  $3.5 \pm .5$  IN LBS.
  - 3. TIGHTEN ITEMS 13 & 25 TO  $2.0 \pm .5$  IN LBS. TIGHTEN ITEMS 15, 17, 27 TO  $3.5 \pm .5$  IN LBS.
  - 4. TIGHTEN ITEM 21 TO  $5 \pm .5$  IN LBS.
  - 5. WHEN CARTRIDGE IS INSERTED INTO DRIVE THE FORCE ON THE DRIVE ROLLER (ITEM 8) IS TO BE  $1 \text{ LB} \pm .1$ .



CAUTION: OFF SHEET PARTS LIST K-PL-7015510-0-DBP

|     |          |           |      |                                  |
|-----|----------|-----------|------|----------------------------------|
| REV | DATE     | BY        | CHKD | DESCRIPTION                      |
| 1   | 10/15/51 | M. G. A.  |      | INITIAL DESIGN                   |
| 2   | 11/15/51 | D. WARREN |      | REVISED TO SHOW 1/2" DIA. HOLES  |
| 3   | 12/15/51 | D. WARREN |      | REVISED TO SHOW 1/4" DIA. HOLES  |
| 4   | 1/15/52  | D. WARREN |      | REVISED TO SHOW 1/8" DIA. HOLES  |
| 5   | 2/15/52  | D. WARREN |      | REVISED TO SHOW 1/16" DIA. HOLES |
| 6   | 3/15/52  | D. WARREN |      | REVISED TO SHOW 1/32" DIA. HOLES |
| 7   | 4/15/52  | D. WARREN |      | REVISED TO SHOW 1/64" DIA. HOLES |

|                      |                 |               |          |
|----------------------|-----------------|---------------|----------|
| QUANTITY & VARIATION | DESCRIPTION     | UNIT PART NO. | ITEM NO. |
| 1                    | CARTRIDGE DRIVE | TU58-XA       | 2        |
| 1                    | SWITCH          |               | 3        |
| 1                    | ROLLER          |               | 4        |
| 1                    | REF ID          |               | 5        |
| 1                    | 9 REF           |               | 6        |
| 1                    | -CI             |               | 7        |
| 1                    | PT4 (RED WIRE)  |               | 8        |
| 1                    | PT5 (BLK WIRE)  |               | 9        |
| 1                    | PT6 (GRN WIRE)  |               | 10       |
| 1                    | PT7 (BLU WIRE)  |               | 11       |
| 1                    | PT8 (BRN WIRE)  |               | 12       |
| 1                    | PT9 (VIO WIRE)  |               | 13       |
| 1                    | PT10 (GRY WIRE) |               | 14       |
| 1                    | PT11 (VEL WIRE) |               | 15       |
| 1                    | PT12 (BLK WIRE) |               | 16       |
| 1                    | PT13 (RED WIRE) |               | 17       |
| 1                    | PT14 (BLU WIRE) |               | 18       |
| 1                    | PT15 (GRN WIRE) |               | 19       |
| 1                    | PT16 (VIO WIRE) |               | 20       |
| 1                    | PT17 (GRY WIRE) |               | 21       |
| 1                    | PT18 (VEL WIRE) |               | 22       |
| 1                    | PT19 (BLK WIRE) |               | 23       |
| 1                    | PT20 (RED WIRE) |               | 24       |
| 1                    | PT21 (GRN WIRE) |               | 25       |
| 1                    | PT22 (VIO WIRE) |               | 26       |
| 1                    | PT23 (GRY WIRE) |               | 27       |
| 1                    | PT24 (VEL WIRE) |               | 28       |
| 1                    | PT25 (BLK WIRE) |               | 29       |
| 1                    | PT26 (RED WIRE) |               | 30       |
| 1                    | PT27 (GRN WIRE) |               | 31       |
| 1                    | PT28 (VIO WIRE) |               | 32       |
| 1                    | PT29 (GRY WIRE) |               | 33       |
| 1                    | PT30 (VEL WIRE) |               | 34       |
| 1                    | PT31 (BLK WIRE) |               | 35       |



COMPONENT SIDE VIEW

|            |      |  |  |
|------------|------|--|--|
| SIGNATURES | DATE |  |  |
| CHK'D BY   | DATE |  |  |
| RECH. ENG. | DATE |  |  |
| PROJ. ENG. | DATE |  |  |
| SCALE      | DATE |  |  |
| EXT. TUBES | DATE |  |  |
| EXT. TUBES | DATE |  |  |

|                 |
|-----------------|
| digital         |
| TITLE T058      |
| SIZE CODE       |
| NUMBER          |
| UAI 541343-001H |

|         |      |    |        |
|---------|------|----|--------|
| REVISED | DATE | BY | REASON |
| 1       |      |    |        |
| 2       |      |    |        |
| 3       |      |    |        |
| 4       |      |    |        |
| 5       |      |    |        |
| 6       |      |    |        |

|                                    |        |              |
|------------------------------------|--------|--------------|
| NOTES:                             |        |              |
| 1. INSTALL & WIRE MOD. USE D.      |        |              |
| 2. MOUNT ON 9.0x9.0x1.6mm          |        |              |
| 3. W/ ABOVE BOARD SUITABLE         |        |              |
| 4. W/ IS OPTIONAL. DO NOT INSTALL. |        |              |
| STEP 1                             | STEP 2 | STEP 3       |
| REPORT                             | X RVS  | 5-250 STEP 1 |

UAI 541343-001H  
 1987  
 103 TYP 4 PLACES WIRE WRAP

EIA 541343-001H



| LINE | ITEM | DOCUMENT NUMBER   | PART NUMBER | DESCRIPTION                     | QTY PER VARIATION | REFERENCE DESIGNATOR                                    |
|------|------|-------------------|-------------|---------------------------------|-------------------|---|
|      |      |                   |             |                                 | 00                |   |
| 1    | 1    |                   | 5013488-00  | TU58 ELECTRONIC SERIAL          | 1                 |   |
| 2    | 2    |                   | 1215816-00  | HEADER,100 15POS STRAIGHT       | 2                 | J3,J4   |
| 3    | 3    |                   | 1000021-00  | 220.0 MMF 100V 5%200PPM MICA    | 1                 | C10   |
| 4    | 4    |                   | 1000023-00  | *** THIS ITEM IS NOT USED ***   | -                 |   |
| 5    | 5    |                   | 1010978-36  | .1 MFD 50V 10% CER              | 3                 | C8,C16,C47  |
| 6    | 6    |                   | 1000042-00  | 1000.0 MMF 100V 5%200PPM MICA   | 2                 | C9,C7   |
| 7    | 7    |                   | 1001610-00  | .01 MFD 50V +80-20% 25U CER     | 17                | C2,C17,C27-C33,C35,C36,C38,C40,<br>CONT C41,C42,C43,C45 |
| 8    | 8    |                   | 1001776-00  | 1 MFD 35V 10% S.TANT            | 2                 | C6,C46  |
| 9    | 9    |                   | 1002315-00  | 2000.0 MMF 500V 5%200PPM MICA   | 1                 | C12   |
| 10   | 10   |                   | 1013466-21  | 3.3 MMF 50V+-5PF CER            | 1                 | C4  |
| 11   | 11   |                   | 1002431-00  | 2.2MFD 35V 10% S.TANT           | 2                 | C1,C3   |
| 12   | 12   |                   | 1005306-00  | 6.8MFD 35V 10% S.TANT           | 4                 | C5,C13,C23,C54  |
| 13   | 13   |                   | 1005334-00  | *** THIS ITEM IS NOT USED ***   | -                 |   |
| 14   | 14   |                   | 1005820-00  | 22.0 MMF 100V 5%200PPM MICA     | 1                 | C11   |
| 15   | 15   |                   | 1010978-40  | .22 MFD 50V 10% CER             | 1                 | C19   |
| 16   | 16   |                   | 1011895-00  | .15 MFD 35V 10% S.TANT          | 1                 | C18   |
| 17   | 17   |                   | 1012312-00  | *** THIS ITEM IS NOT USED ***   | -                 |   |
| 18   | 18   |                   | 1100101-00  | *** THIS ITEM IS NOT USED ***   | -                 |   |
| 19   | 19   |                   | 1102808-00  | 1N 752A VZ= 5.6 5% .40W         | 1                 | D27   |
| 20   | 20   |                   | 1105275-00  | D 672 TR= 15NS PIV= 60V SI      | 25                | D1-D13,D31,D33-D43                                      |
| 21   | 21   |                   | 1110324-00  | LED 1MCD@10MA PIV=3             | 1                 | D28   |
| 22   | 22   |                   | 1115369-00  | VM 18 PIV=100 I=1A              | 2                 | D15,D16   |
| 23   | 23   |                   | 1213506-04  | HEADER 10POS RT ANGLE W/3 SI    | 1                 | J2  |
| 24   | 24   |                   | 1212385-04  | SOCKET 24PIN IC                 | 1                 | XE1   |
| 25   | 25   | USED FOR Q7 & Q12 | 1213071-06  | INSULATOR,RUBBER SILICONE       | 2                 |   |
| 26   | 26   |                   | 1213113-01  | *** THIS ITEM IS NOT USED ***   | -                 |   |
| 27   | 27   |                   | 1213418-01  | HEAT SINK,VERTICLE MNT,ALUMINUM | 2                 |   |
| 28   | 28   |                   | 1300247-00  | 120.0 .25 W 5.0 % CC            | 1                 | R75   |
| 29   | 29   |                   | 1300274-00  | *** THIS ITEM IS NOT USED ***   | -                 |   |

| REVISION HISTORY |               | BASIC PART NO: 5413489 |                         | DRN: DAN MUTNANSKY |            | DATE: 22-MAY-78      |           | DIGITAL         |            |
|------------------|---------------|------------------------|-------------------------|--------------------|------------|----------------------|-----------|-----------------|------------|
| ENG              | ECO NUMBER    | REV                    | SECTION A OF A          | CHK'D:             | P. BOSSMAN | DATE:                | 6-JUNE-78 | TITLE           | PARTS LIST |
| ---              | INIT          | C                      | SECTION VARIATION INDEX | CHK'D:             | P. BOSSMAN | DATE:                | 6-JUNE-78 | SERIAL          | TU58       |
| FB               | 5413489-ML001 | D                      | [A] 00                  | DES.ENG:           | MIKE LEIS  | DATE:                | 22-MAY-78 | DOCUMENT NUMBER |            |
| M.L              | 5413489-ML003 | E                      | [B]                     | RESP.ENG.:         | M. LEIS    | DATE:                | 6-JUNE-78 | SIZE            | CODE       |
| ML               | 5413489-ML004 | F                      | [C]                     | MFGE.ENG.:         | P. BARTON  | DATE:                | 6-JUNE-78 | NUMBER          | REV        |
| D.M              | 5413489-ML006 | H                      | [D]                     | ASSEMBLY NUMBER:   |            | TOP DOCUMENT NUMBER: |           | FILE NAME:      | EDIT #     |
|                  |               |                        | [E]                     | IE-UA-5413489-0-0  |            | TU58                 |           | Z0582H.PLS      | 38         |
|                  |               |                        | [F]                     |                    |            |                      |           |                 |            |
|                  |               |                        | [G]                     |                    |            |                      |           |                 |            |
|                  |               |                        | [H]                     |                    |            |                      |           |                 |            |
|                  |               |                        | [I]                     |                    |            |                      |           |                 |            |
|                  |               |                        | [J]                     |                    |            |                      |           |                 |            |
|                  |               |                        | [K]                     |                    |            |                      |           |                 |            |
|                  |               |                        | [L]                     |                    |            |                      |           |                 |            |
|                  |               |                        | [M]                     |                    |            |                      |           |                 |            |
|                  |               |                        | [N]                     |                    |            |                      |           |                 |            |

\*THIS DRAWING AND SPECIFICATIONS HEREIN, ARE THE PROPERTY OF DIGITAL EQUIPMENT CORPORATION AND SHALL NOT BE REPRODUCED OR COPIED OR USED IN WHOLE OR IN PART AS THE BASIS FOR THE MANUFACTURE OR SALE OF ITEMS WITHOUT WRITTEN PERMISSION. COPYRIGHT (C) 1980. DIGITAL EQUIPMENT CORPORATION \*

| LINE | ITEM | DOCUMENT NUMBER | PART NUMBER | DESCRIPTION                    | QTY | PER VARIATION | REFERENCE DESIGNATOR   |
|------|------|-----------------|-------------|--------------------------------|-----|---------------|--|
|      |      |                 |             |                                | 00  |               |  |
| 30   | 30   |                 | 1300316-00  | 470.0 .25 W 5.0 % CC           | 5   |               | R5,R55,R100,R78,R84  |
| 31   | 31   |                 | 1300365-00  | 1.0 K .25 W 5.0 % CC           | 2   |               | R10,R18  |
| 32   | 32   |                 | 1300295-00  | *** THIS ITEM IS NOT USED ***  | -   |               |  |
| 33   | 33   |                 | 1300447-00  | 4.70 K .25 W 5.0 % CC          | 8   |               | R11,R19,R20,R25,R54,R79,R76,R105   |
| 34   | 34   |                 | 1300479-00  | 10.0 K .25 W 5.0 % CC          | 21  |               | R9,R22,R24,R26,R44,R46,R50,R58,<br>R59,R66,R67,R68,R80,R33,R36,R96,<br>R86,R73,R97-R99 |
| 35   | 35   |                 | 1301322-00  | 180.0 .25 W 5.0 % CC           | 1   |               | R31  |
| 36   | 36   |                 | 1301327-00  | 68.0 K .25 W 5.0 % CC          | 1   |               | R72  |
| 37   | 37   |                 | 1300432-00  | 3.0 K .25 W 5.0 % CC           | 1   |               | R6   |
| 38   | 38   |                 | 1301969-00  | 22.0 .25 W 5.0 % CC            | 1   |               | R29  |
| 39   | 39   |                 | 1302092-00  | 220.0 K .25 W 5.0 % CC         | 1   |               | R51  |
| 40   | 40   |                 | 1302177-00  | 47.0 K .25 W 5.0 % CC          | 2   |               | R14,R23  |
| 41   | 41   |                 | 1302388-00  | 2.0 K .25 W 5.0 % CC           | 5   |               | R27,R28,R34,R37,R85  |
| 42   | 42   |                 | 1302391-00  | 20.0 K .25 W 5.0 % CC          | 1   |               | R83  |
| 43   | 43   |                 | 1302394-00  | 30.0 K .25 W 5.0 % CC          | 2   |               | R52,R106   |
| 44   | 44   |                 | 1302396-00  | 150.0 K .25 W 5.0 % CC         | 2   |               | R8,R81   |
| 45   | 45   |                 | 1302398-00  | 470.0 K .25 W 5.0 % CC         | 4   |               | R7,R21,R45,R57   |
| 46   | 46   |                 | 1302941-00  | 14.70 K .25 W 1.0 % RN55D-F10  | 3   |               | R13,R16,R56  |
| 47   | 47   |                 | 1303177-00  | 2.40 K .25 W 5.0 % CC          | 8   |               | R17,R30,R41,R42,R43,R60,R69,R71  |
| 48   | 48   |                 | 1303312-00  | 10.0 K .25 W 1.0 % RN55D-F10   | 2   |               | R12,R15  |
| 49   | 49   |                 | 1305324-00  | 4.99 K .25 W 1.0 % RN55D-F10   | 4   |               | R38,R39,R47,R49  |
| 50   | 50   |                 | 1309386-00  | 5.60 M .25 W 5.0 % CC          | 1   |               | R40  |
| 51   | 51   |                 | 1001610-01  | *** THIS ITEM IS NOT USED ***  | -   |               |  |
| 52   | 52   |                 | 1311466-00  | .20 2.0 W 5.0 % WW             | 1   |               | R53  |
| 53   | 53   |                 | 1313596-00  | 20.0 K .25 W 1.0 % RN55D-F10   | 2   |               | R77,R102   |
| 54   | 54   |                 | 1315660-00  | R NETWORK 16-10K 1-4.7K 20PIN  | 1   |               | R2   |
| 55   | 55   |                 | 1315661-00  | R NETWORK MULTI-VALUE          | 2   |               | R1,R4  |
| 56   | 56   |                 | 1315662-00  | R NETWORK 14-2.4K 10.0 % 15PIN | 1   |               | R3   |
| 57   | 57   |                 | 1503409-00  | DEC6534D PNP 310MW SI 40 90    | 2   |               | Q2,Q4  |
| 58   | 58   |                 | 1509142-00  | DEC4250 PNP 200MW SI 40250     | 1   |               | Q1   |
| 59   | 59   |                 | 1509338-00  | DEC6531B NPN 310MW SI 40 90 P  | 6   |               | Q3,Q5,Q8,Q11,Q14,Q17   |
| 60   | 60   |                 | 1510421-00  | D 44C8 NPN 30WT SI 60 20       | 4   |               | Q6,Q7,Q12,Q13  |
| 61   | 61   |                 | 1510598-00  | DEC45C8 PNP 27WT SI 60 20 Y    | 4   |               | Q9,Q10,Q15,Q16   |
| 62   | 62   |                 | 1812396-06  | XTAL 4.9152 MHZ                | 1   |               | Y1   |
| 63   | 63   |                 | 1910282-00  | 301AN OP AMP                   | 1   |               | E30  |
| 64   | 64   |                 | 1910645-00  | 75452 DRIVER,PERIF4,DUAL,      | 4   |               | E9,E10,E26,E27   |
| 65   | 65   |                 | 1910741-00  | 7406 INVERTER GATE-HEX 1I      | 1   |               | E8   |
| 66   | 66   |                 | 1911242-00  | *** THIS ITEM IS NOT USED ***  | -   |               |  |
| 67   | 67   |                 | 1912107-00  | 324 OP AMP,QUAD                | 1   |               | E15  |
| 68   | 68   |                 | 1912108-00  | 339 VOLT CMPRTR,QUAD           | 1   |               | E29  |
| 69   | 69   |                 | 1912799-00  | LS00 NAND-GATE-QUAD 2IN,P      | 2   |               | E17,E19  |
| 70   | 70   |                 | 1912801-00  | LS02 NOR-GATE-QUAD 2IN         | 1   |               | E13  |
| 71   | 71   |                 | 1912803-00  | 774LS04 INVERTER GATE, HEX     | 2   |               | E6,E25   |
| 72   | 72   |                 | 1912807-00  | LS10 NAND GATE-TRIPLE 3IN      | 1   |               | E24  |
| 73   | 73   |                 | 1912813-00  | LS27 NOR GATE-TRIPLE 3IN       | 1   |               | E18  |
| 74   | 74   |                 | 1912832-00  | LS107 FF-JK DUAL MASTER/SL     | 2   |               | E5,E12   |
| 75   | 75   |                 | 1912857-00  | LS197 COUNTER,BINARY,PRESET    | 1   |               | E7   |

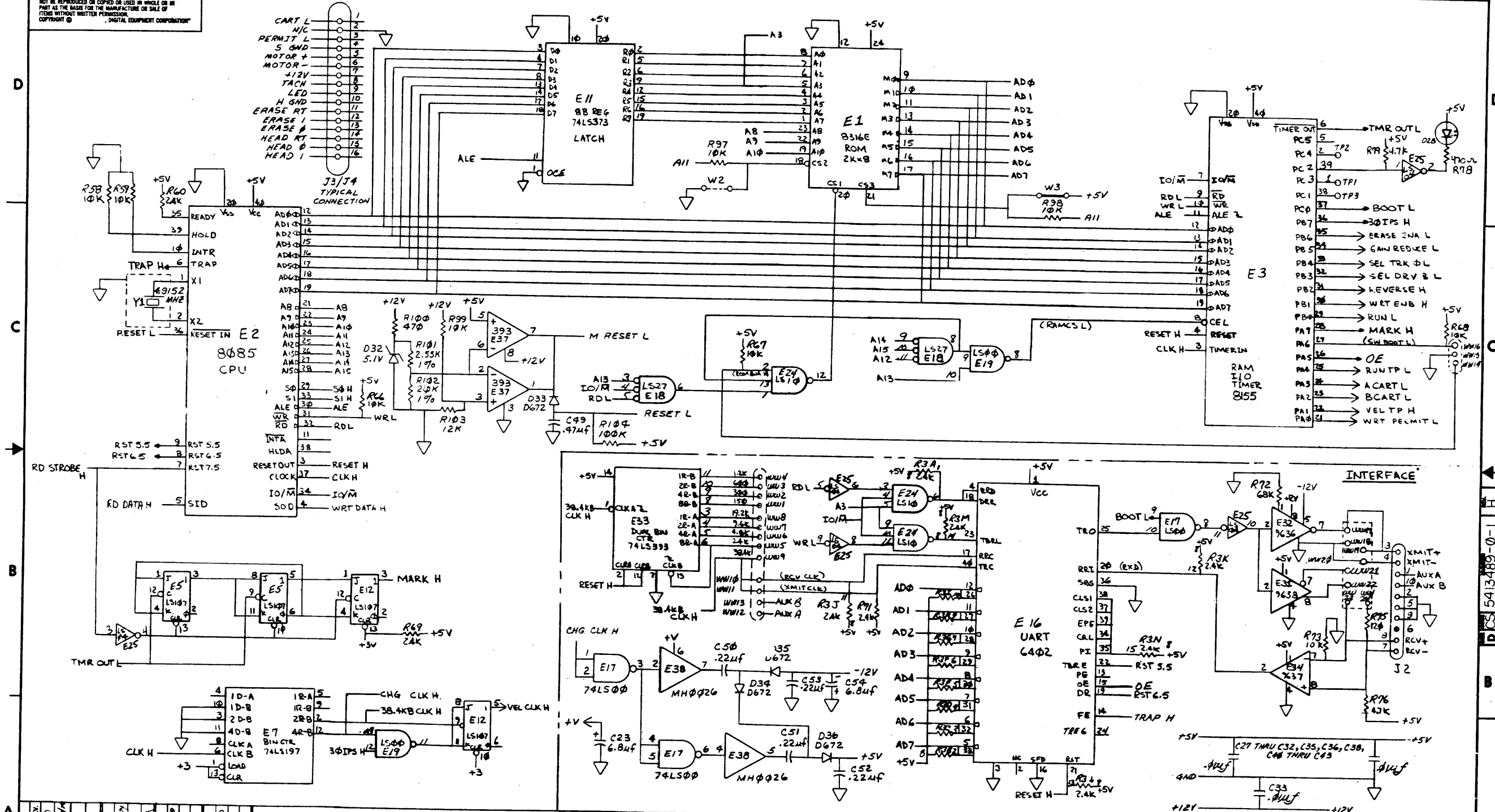
|   |   |   |   |   |   |   |             |                |      |      |                 |     |
|---|---|---|---|---|---|---|-------------|----------------|------|------|-----------------|-----|
| D | I | G | I | T | A | L | TITLE       | SECTION A OF A | SIZE | CODE | DOCUMENT NUMBER | REV |
|   |   |   |   |   |   |   | SERIAL TU58 |                | K    | PL   | 5413489-0-DBP   | H   |

| LINE | ITEM | DOCUMENT NUMBER   | PART NUMBER | DESCRIPTION                      | QTY | PER VARIATION | REFERENCE DESIGNATOR |
|------|------|-------------------|-------------|----------------------------------|-----|---------------|----------------------|
|      |      |                   |             |                                  | 00  |               |                      |
| 76   | 76   |                   | 1914451-00  | 74LS393 COUNTER,BINARY,4BIT      | 1   |               | E33                  |
| 77   | 77   |                   | 1914466-00  | 3130E OP AMP MOS/FET IN,CM       | 1   |               | E28                  |
| 78   | 78   |                   | 1915219-00  | LS373 FF-D OCTAL-TRANSPARE       | 1   |               | E11                  |
| 79   | 79   |                   | 1915415-00  | 9636 DRIVER,DUAL,EIA RS-         | 1   |               | E32                  |
| 80   | 80   |                   | 1915416-00  | 9637 RECEIVER,DUAL,RS-42         | 1   |               | E34                  |
| 81   | 81   |                   | 1915417-00  | 9638 DRIVER,DUAL,EIA RS-         | 1   |               | E31                  |
| 82   | 82   |                   | 2113605-00  | 4006B SHIFT REG,18 STAGE         | 1   |               | E14                  |
| 83   | 83   |                   | 2113609-00  | 4013B FF-D DUAL W/SET/RESE       | 1   |               | E4                   |
| 84   | 84   |                   | 2113630-00  | 4052B MULTIPLEXER 4CHAN DI       | 1   |               | E3C                  |
| 85   | 85   |                   | 2113632-00  | 4065B BILATERAL SWITCH-QUA       | 1   |               | E22                  |
| 86   | 86   |                   | 2113634-00  | 4070B X-OR GATE-QUAD CMOS        | 1   |               | E21                  |
| 87   | 87   |                   | 2113937-00  | UART 125K BUAD                   | 1   |               | E16                  |
| 88   | 88   |                   | 2114663-00  | MM 80C95 BUFFER-GATE-HEX TRIS    | 1   |               | E36                  |
| 89   | 89   |                   | 2114963-00  | UP,8-BIT NMOS                    | 1   |               | E2                   |
| 90   | 90   |                   | 2114964-00  | RAM 2048 MOSJ-STATIC             | 1   |               | E3                   |
| 91   | 91   |                   | 23089E2-00  | E2-01                            | 1   |               | E1                   |
| 92   | 92   |                   | 1212619-07  | HEADER.156 6POS STRAIGHT         | 1   |               | J1                   |
| 93   | 93   |                   | 9009185-00  | JUMPER, WIRE, INSULATED, BLACK B | 2   |               | W1,W3                |
| 94   | 94   | USED FOR Q7 & Q12 | 9010057-00  | WASHER, INSULATING SHOULDER FOR  | 2   |               |                      |
| 95   | 95   |                   | 1215816-01  | HEADER.100 3POS STRAIGHT         | 1   |               |                      |
| 96   | 96   |                   | 1215816-02  | HEADER.100 13POS STRAIGHT        | 1   |               |                      |
| 97   | 97   |                   | 1215816-03  | HEADER.100 8POS STRAIGHT         | 1   |               |                      |
| 98   | 98   |                   | 9006011-01  | SCREW,PAN,PHIL 4-40X 3/8 SS      | 2   |               |                      |
| 99   | 99   |                   | 9006557-00  | NUT,KEP , 4-40X 1/4 AF           | 2   |               |                      |
| 100  | 100  |                   | 1100124-00  | 1N 750A VZ= 4.7 5% .40W P        | 2   |               | D29,D30              |
| 101  | 101  |                   | 1301890-00  | 560.0 .25 W 5.0 % CC             | 2   |               | R32,R35              |
| 102  | 102  |                   | 1313840-00  | 4.53 K .25 W 1.0 % RN55D-F10     | 1   |               | R48                  |
| 103  | 103  |                   | 9105740-55  | WIRE(WRAP)30AWG UL1423           | A/R |               |                      |
| 104  | 104  |                   | 1012084-03  | 150 MFD 15V +75-10% AL EL        | 2   |               | C44,C14              |
| 105  | 105  |                   | 9107256-11  | *** THIS ITEM IS NOT USED ***    | -   |               |                      |
| 106  | 106  |                   | 1910741-01  | 7406N BUFFER,HEX                 | 1   |               | E20                  |
| 107  | 107  |                   | 5414232-00  | *** THIS ITEM IS NOT USED ***    | -   |               |                      |
| 108  | 108  |                   | 1310633-00  | 2.55 K .25 W 1.0 % RN55D-F10     | 1   |               | R101                 |
| 109  | 109  |                   | 1300488-00  | 12.0 K .25 W 5.0 % CC            | 1   |               | R103                 |
| 110  | 110  |                   | 1302466-00  | 100.0 K .25 W 5.0 % CC           | 1   |               | R104                 |
| 111  | 111  |                   | 1105871-00  | 1/4M5.1A21 = 5.1 1% .25W N       | 1   |               | D32                  |
| 112  | 112  |                   | 1914156-00  | LM 393 VOLT.COMPARATOR DUAL      | 1   |               | E37                  |
| 113  | 113  |                   | 1912098-00  | 0026 DRIVER,MOS CLOCK,2          | 1   |               | E38                  |
| 114  | 114  |                   | 1010274-01  | .22 MFD 50V +80-20% Z5U CER      | 4   |               | C50-C53              |
| 115  | 115  |                   | 1010279-00  | .47 MFD 25V 20% CER              | 3   |               | C20,C21,C49          |

|   |   |   |   |   |   |   |       |             |                |      |               |                 |     |
|---|---|---|---|---|---|---|-------|-------------|----------------|------|---------------|-----------------|-----|
| D | I | G | I | T | A | L | TITLE | SERIAL TUS8 | SECTION A OF A | SIZE | CODE          | DOCUMENT NUMBER | REV |
|   |   |   |   |   |   |   |       |             | K              | FL   | 5413489-0-DBP | H               |     |

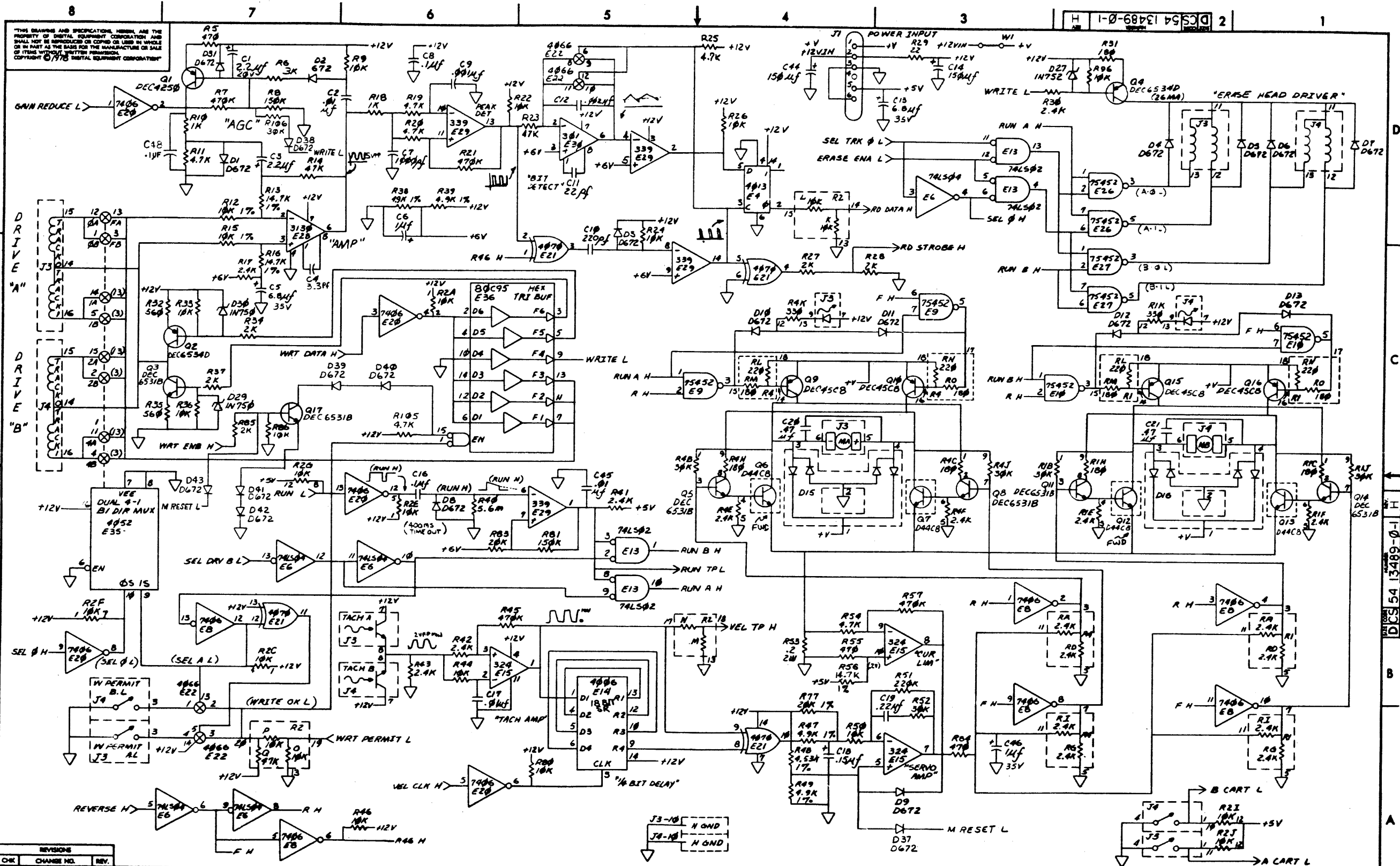
THIS DRAWING AND SPECIFICATIONS HEREIN ARE THE PROPERTY OF DIGITAL EQUIPMENT CORPORATION AND SHALL NOT BE REPRODUCED OR COPIED OR USED IN WHOLE OR IN PART AS THE BASIS FOR THE MANUFACTURE OR SALE OF ITEMS WITHOUT WRITTEN PERMISSION. DIGITAL EQUIPMENT CORPORATION. COPYRIGHT ©

D 5413489-0-1



| REV. | DATE     | BY      | CHKD |
|------|----------|---------|------|
| 1    | 11/17/78 | M. LEIS |      |
| 2    | 12/11/78 | M. LEIS |      |
| 3    | 1/17/79  | M. LEIS |      |
| 4    | 2/1/79   | M. LEIS |      |
| 5    | 2/1/79   | M. LEIS |      |
| 6    | 2/1/79   | M. LEIS |      |
| 7    | 2/1/79   | M. LEIS |      |
| 8    | 2/1/79   | M. LEIS |      |

|                     |           |                  |                   |
|---------------------|-----------|------------------|-------------------|
| DRN. M. LEIS        | DATE 5/78 | FIRST USED ON    | TUSB              |
| CHK'D H. LEIS       | 7/10/78   | TITLE            | TUSB ELECTRONICS: |
| ENGR. ROSE LEIS     | 7/10/78   |                  |                   |
| PROJ. ENGR. M. LEIS | 8/1/78    |                  |                   |
| PROD. PLAN          | 8-1-78    |                  |                   |
| NEXT HIGHER ASSY.   |           |                  |                   |
| B-22-5413489-0      |           |                  |                   |
| SCALE               |           | SIZE CODE        | NUMBER            |
| SHEET 1 OF 2        |           | D CS 5413489-0-1 | REV. H            |



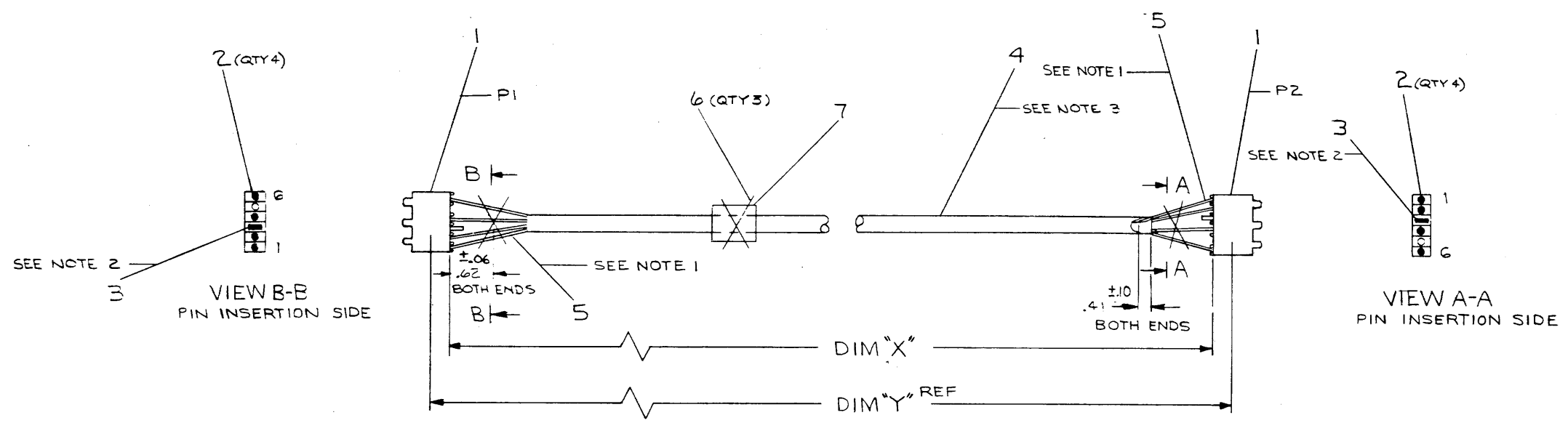
| REVISIONS |            |      | TITLE             |     | NUMBER           |        | REV. |  |
|-----------|------------|------|-------------------|-----|------------------|--------|------|--|
| CHK       | CHANGE NO. | REV. | TU58 ELECTRONICS: |     | DCS 54 13489-0-1 |        | H    |  |
|           |            |      | SERIAL            |     | DWT.             |        |      |  |
|           |            |      | SCALE             | 1/1 | SHEET            | 2 OF 2 |      |  |

THIS DRAWING AND SPECIFICATIONS HEREIN ARE THE PROPERTY OF DIGITAL EQUIPMENT CORPORATION AND SHALL NOT BE REPRODUCED OR COPIED OR USED IN WHOLE OR IN PART AS THE BASIS FOR THE MANUFACTURE OR SALE OF ITEMS WITHOUT WRITTEN PERMISSION.  
 COPYRIGHT © 1978, DIGITAL EQUIPMENT CORPORATION

| WIRE TABLE |     |        |                 |               |      |         |
|------------|-----|--------|-----------------|---------------|------|---------|
| ITEM NO.   | AWG | COLOR  | FROM CONNECTION | TO CONNECTION | WITH | REMARKS |
| 4          | 22  | WHT    | P1-6            | ITEM 2        | P2-6 | ITEM 2  |
|            |     | BLK    | P1-4            | ITEM 2        | P2-4 | ITEM 2  |
|            |     | RED    | P1-2            | ITEM 2        | P2-2 | ITEM 2  |
|            | 22  | SHIELD | P1-1            | ITEM 2        | P2-1 | ITEM 2  |

| LEGEND     |                 |                      |
|------------|-----------------|----------------------|
| NUMBER     | DIM "X"         | DIM "Y" (PRECUT) REF |
| 7016756-2H | ZFT 7 IN ± 1 IN | ZFT 8 IN ± 1 IN      |

- NOTES:
- SHIELD WIRE COMING FROM CABLE (ITEM #4) TO BE COVERED WITH TUBING (ITEM #5) 2" LONG, BOTH ENDS TO PREVENT ANY EXPOSURE. EXTRUDED TUBING MUST EXTEND INTO INSULATION SUPPORT PORTION OF WIRE CONTACT (ITEM #2) BUT MUST NOT EXTEND INTO THE WIRE CRIMP BARREL PORTION OF THE WIRE CONTACT (ITEM #2)
  - INSTALL KEY PLUG (ITEM #3), INTO CONNECTOR POSITION NUMBER 3 ON CONNECTORS P1 & P2 AS SHOWN.
  - CUT BACK JACKET (ITEM #4) 1.75 ± .25 BOTH ENDS AND REMOVE SHIELD.



| ITEM NO. | DESCRIPTION            | DWG. PART NO. | ITEM NO. |
|----------|------------------------|---------------|----------|
| 1        | LABEL, CABLE IDENT     | 900953Z       | 7        |
| 3        | TIE, CABLE             | 9007031       | 6        |
| A/R      | TUBE THIN WALL NATURAL | 9107278-11    | 3        |
| A/R      | CABLE 3 COND SHIELDED  | 9107574-00    | 4        |
| 2        | KEY PLUG               | 9009658-01    | 3        |
| 8        | CONTACT FEMALE         | 1212203-00    | 2        |
| 2        | HOUSING, CONN 6 POS    | 1212620-05    | 1        |

| DESCRIPTION   |                   | DWG. PART NO.                  | ITEM NO.                 |
|---|-------------------|--------------------------------|--------------------------|
| UNLESS OTHERWISE SPECIFIED DIMENSIONS ARE IN INCHES |                   |                                |                          |
| ANGLES 90° 30'                                      | CLASS OF ACCURACY | NOMINAL DIMENSION RANGE INCHES |                          |
| SURFACE QUALITY IN                                  | (CHECK ONE)       | OVER 0 TO 0.25                 | OVER 0.25 TO 0.50        |
| QUANTITY & VARIATION                                | MEDIUM            | OVER 0.50 TO 1.25              | OVER 1.25 TO 4.00        |
| THIRD ANGLE PROJECTION                              | PREFERRED         | OVER 4.00 TO 12.00             | OVER 12.00 TO 40.00      |
| REMOVE BURRS AND BREAK SHARP CORNERS                | FINISH            | OVER 40.00 TO 80.00            | OVER 80.00 TO 160.00     |
| DO NOT SCALE DWG                                    | NEXT HIGHER ASSY. | OVER 160.00 TO 320.00          | OVER 320.00 TO 640.00    |
| MATERIAL SEE PARTS LIST                             | FINISH NONE       | OVER 640.00 TO 1280.00         | OVER 1280.00 TO 2560.00  |
| FINISH NONE   | SHEET OF          | OVER 2560.00 TO 5120.00        | OVER 5120.00 TO 10240.00 |

DRN. R.E. O'Brien 27 OCT 78  
 CHK'D [Signature] 4 JUN 79  
 ENG. [Signature] 4 JUN 79  
 PROJ. ENG. [Signature] 4 JUN 79  
 PROD. [Signature] 4 JUN 79

FIRST USED ON: VT103 digital

TITLE: CABLE TU58 POWER

E-UA-VT103-0-0  
 SCALE: NONE  
 SIZE: D IA  
 NUMBER: 7016756-0-0  
 REV.:

| REV. | CHANGE NO. |
|------|------------|
|      |            |

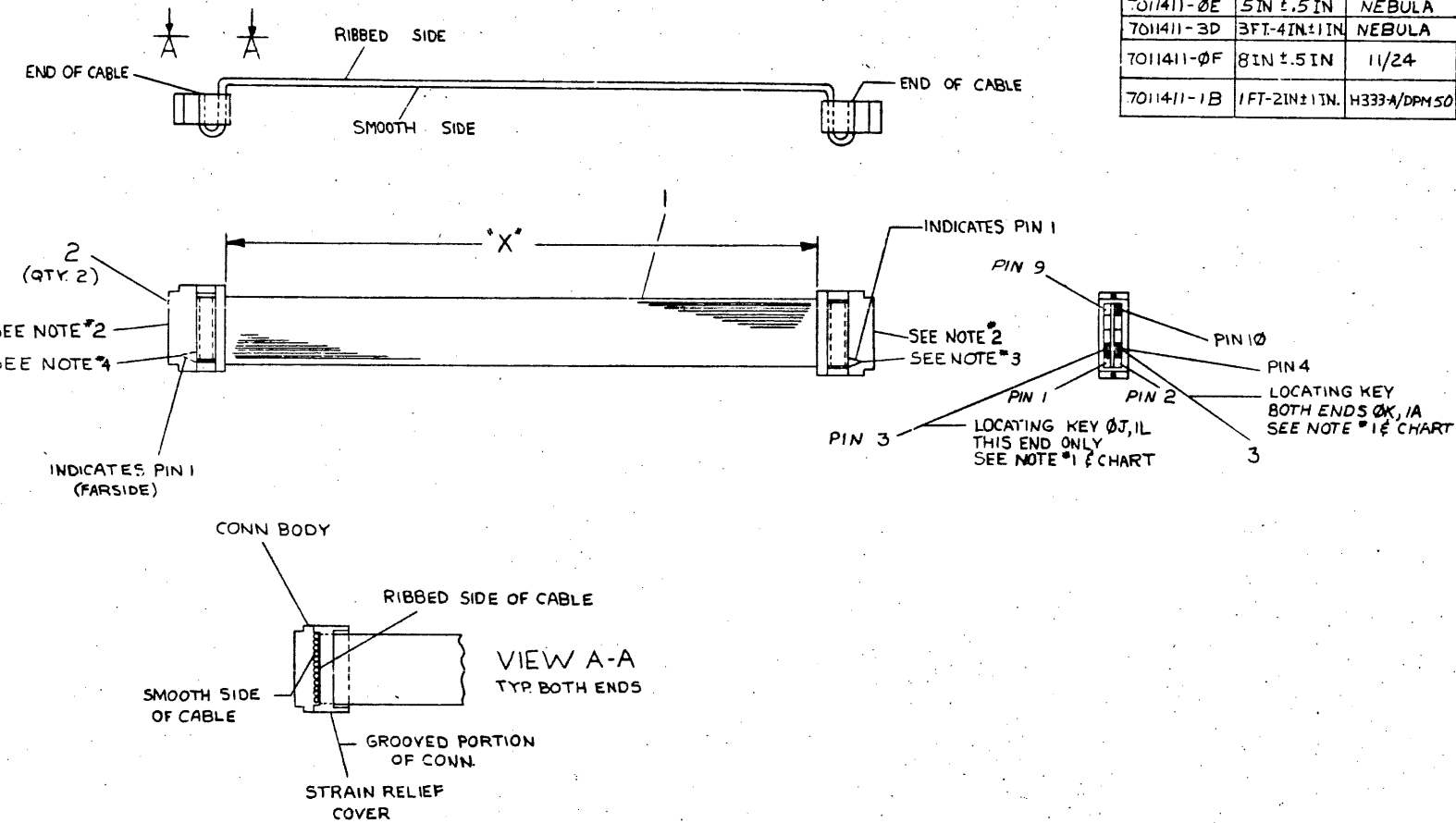
THIS DRAWING AND SPECIFICATIONS HEREIN ARE THE PROPERTY OF DIGITAL EQUIPMENT CORPORATION AND SHALL NOT BE REPRODUCED OR COPIED OR USED IN WHOLE OR IN PART AS THE BASIS FOR THE MANUFACTURE OR SALE OF ITEMS WITHOUT WRITTEN PERMISSION.  
 COPYRIGHT © 1975, DIGITAL EQUIPMENT CORPORATION

0-C-1101107 2

NOTES:

1. INSERT KEY IN PROPER CONNECTOR PIN AND BREAK OFF TAB.
2. FOR ITEM (2) DRAWING IS SHOWING 3M CONNECTOR.
3. FOR -1C AND -2 VARIATIONS, KEY PIN 6.
4. FOR -1C AND -2 VARIATIONS, KEY PIN 5.

| LEGEND     |                   |                |                             |
|------------|-------------------|----------------|-----------------------------|
| NUMBER     | DIM * X VARIATION | USED ON        | KEY PIN                     |
| 7011411-0J | 8 IN ± .5 IN      | B111-L OR K    | 10 ONE END                  |
| 7011411-0K | 9 IN ± .5 IN      | LS1-11         | 3 BOTH ENDS                 |
| 7011411-1D | 1 FT-4 IN ± 1 IN  | KY11-LB        |                             |
| 7011411-2D | 2 FT-4 IN ± 1 IN  | B111-F/00 H/PF | 70 ONE END                  |
| 7011411-0H | 7 IN ± .5 IN      | H790, 1, 2, 3  |                             |
| 7011411-1J | 1 FT-8 IN ± 1 IN  | 1104/34-7A     |                             |
| 7011411-1L | 1 FT-10 IN ± 1 IN | B111-L, H777   | PIN 3 1 END                 |
| 7011411-1A | 1 FT-1 IN ± 1 IN  | H787           | 4 BOTH ENDS                 |
| 7011411-3J | 3 FT-8 IN ± 1 IN  | B111-K, H785   |                             |
| 7011411-2J | 2 FT-8 IN ± 1 IN  | B111-K, H785   | NO KEY                      |
| 7011411-5F | 5 FT-6 IN ± 1 IN  | 1160           | 8 ONE END                   |
| 7011411-12 | 12 FT ± 3 IN      | KA570          |                             |
| 7011411-7  | 7 FT ± 2 IN       | 11780          |                             |
| 7011411-1C | 1 FT-3 IN ± 1 IN  | VT103          | SEE NOTES 3 AND 4           |
| 7011411-2  | 2 FT ± 1 IN       | VT103          | SEE NOTES 3 AND 4           |
| 7011411-0E | 5 IN ± .5 IN      | NEBULA         | 10 BOTH ENDS                |
| 7011411-3D | 3 FT-4 IN ± 1 IN  | NEBULA         | 5 BOTH ENDS                 |
| 7011411-0F | 8 IN ± .5 IN      | 11/24          | PIN 3 ONE END PIN 6 ONE END |
| 7011411-1B | 1 FT-2 IN ± 1 IN  | H333-A/DPH50   | 4 BOTH ENDS                 |



| DESCRIPTION          | DWG./PART NO. | ITEM NO. |
|----------------------|---------------|----------|
| 1 TIE, CABLE         | 9007031       | 5        |
| 1 LABEL, CABLE IDENT | 9009532       | 4        |
| AR KEY               | 9009707       | 3        |
| 2 CONN. CRIMP        | 1211206-02    | 2        |
| AR CABLE, 10 CONDUCT | 9107747-02    | 1        |

| ANGLES<br>OF 30° | CLASS OF<br>ACCURACY | NOMINAL DIMENSION RANGE INCHES |                    |                    |                    |
|------------------|----------------------|--------------------------------|--------------------|--------------------|--------------------|
|                  |                      | OVER .10<br>TO .15             | OVER .15<br>TO .25 | OVER .25<br>TO .40 | OVER .40<br>TO .60 |
| SURFACE          | CHECK ONE            | ±.004                          | ±.008              | ±.012              | ±.016              |
| QUALITY          |                      | IN                             |                    |                    |                    |
| MICROMETERS      | PREFERRED            | ±.012                          | ±.018              | ±.025              | ±.04               |

THIRD ANGLE PROJECTION

REMOVE BURRS AND BREAK SHARP CORNERS

DO NOT SCALE DWG

MATERIAL SEE PARTS LIST

FINISH

DRN M. BARTIST 5-20-75  
 CHK D. HEALY 5-13-75  
 ENGR. BARRY 6-12-75  
 PROJ. ENGR. BARRY 6-12-75  
 PROD. R. PETERS 6-19-75

FIRST USED ON SEE LEGEND

TITLE  
**CABLE CONSOLE BACKPLANE**

SIZE CODE  
**D IA**

NUMBER  
**7011411-0-0**

REV.  
**V**

| REV. | DATE    | BY        | CHK       | DESCRIPTION |
|------|---------|-----------|-----------|-------------|
| 1    | 7/22/75 | J. DUGGAN | R. DUGGAN | REVISED     |
| 2    | 7/22/75 | J. DUGGAN | R. DUGGAN | REVISED     |
| 3    | 7/22/75 | J. DUGGAN | R. DUGGAN | REVISED     |
| 4    | 7/22/75 | J. DUGGAN | R. DUGGAN | REVISED     |
| 5    | 7/22/75 | J. DUGGAN | R. DUGGAN | REVISED     |
| 6    | 7/22/75 | J. DUGGAN | R. DUGGAN | REVISED     |
| 7    | 7/22/75 | J. DUGGAN | R. DUGGAN | REVISED     |
| 8    | 7/22/75 | J. DUGGAN | R. DUGGAN | REVISED     |

MANUFACTURE # 100-C

7011411-0-0

digital

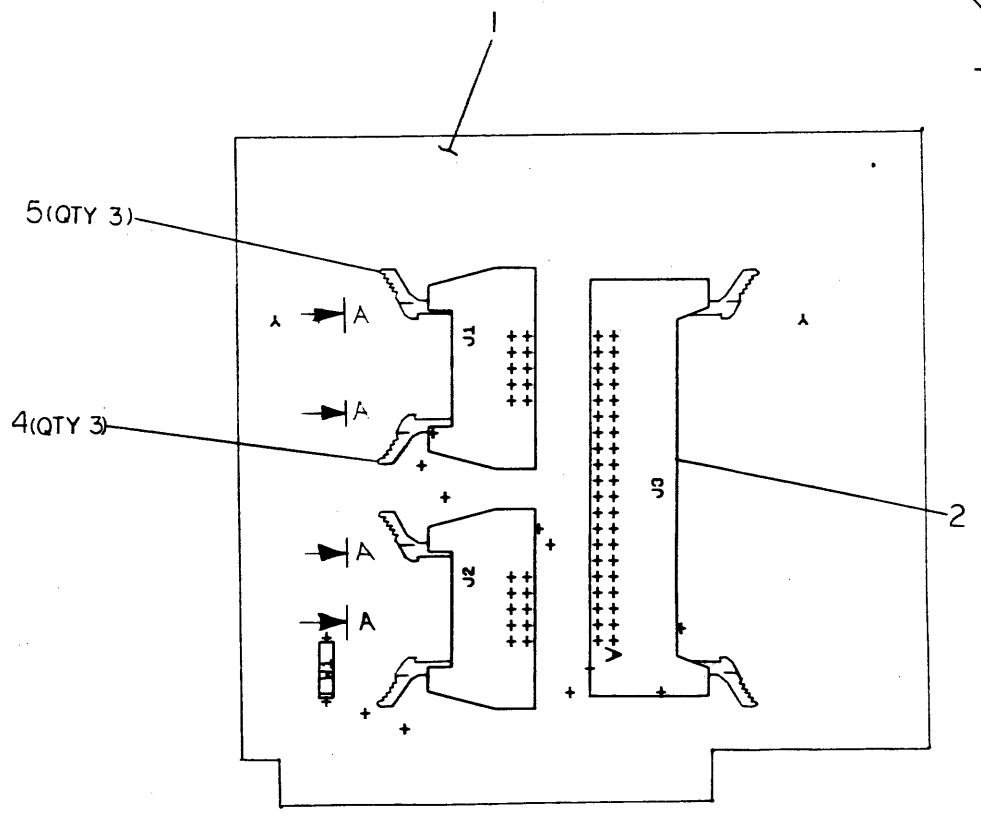
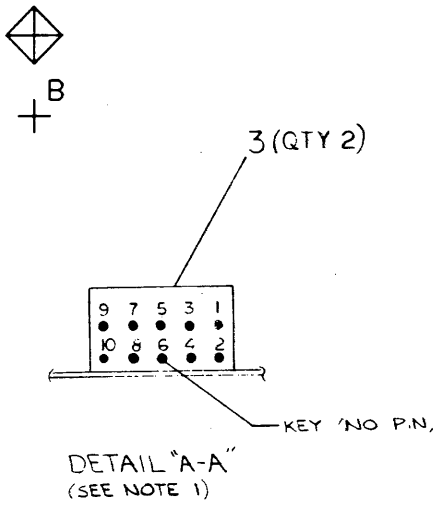
TW 1

2 DUA 5414350-00 B

THIS DRAWING AND SPECIFICATIONS, HEREIN, ARE THE PROPERTY OF DIGITAL EQUIPMENT CORPORATION AND SHALL NOT BE REPRODUCED OR TRANSMITTED IN ANY FORM OR BY ANY MEANS, ELECTRONIC OR MECHANICAL, INCLUDING PHOTOCOPYING, RECORDING, OR BY ANY INFORMATION STORAGE AND RETRIEVAL SYSTEM, WITHOUT PERMISSION IN WRITING FROM DIGITAL EQUIPMENT CORPORATION. SEPTEMBER 1979

COMPONENT SIDE VIEW

NOTES:  
1. PIN #6 OF J1 AND J2 MUST BE CUT OUT BEFORE ASSEMBLY.



NOTES: 1. SPARE COMPONENTS ARE: WI

|           |    |           |  |
|-----------|----|-----------|--|
| CHG       | NO | REV       |  |
| 544350-MR | B  |           |  |
| J. KING   |    | 4-23-79   |  |
|           |    | 11 SEP 79 |  |
|           |    | 4-23-79   |  |

|                            |   |
|----------------------------|---|
| ETCH REV.                  | B |
| P.C. DESIGN DATA BASE REV. | A |

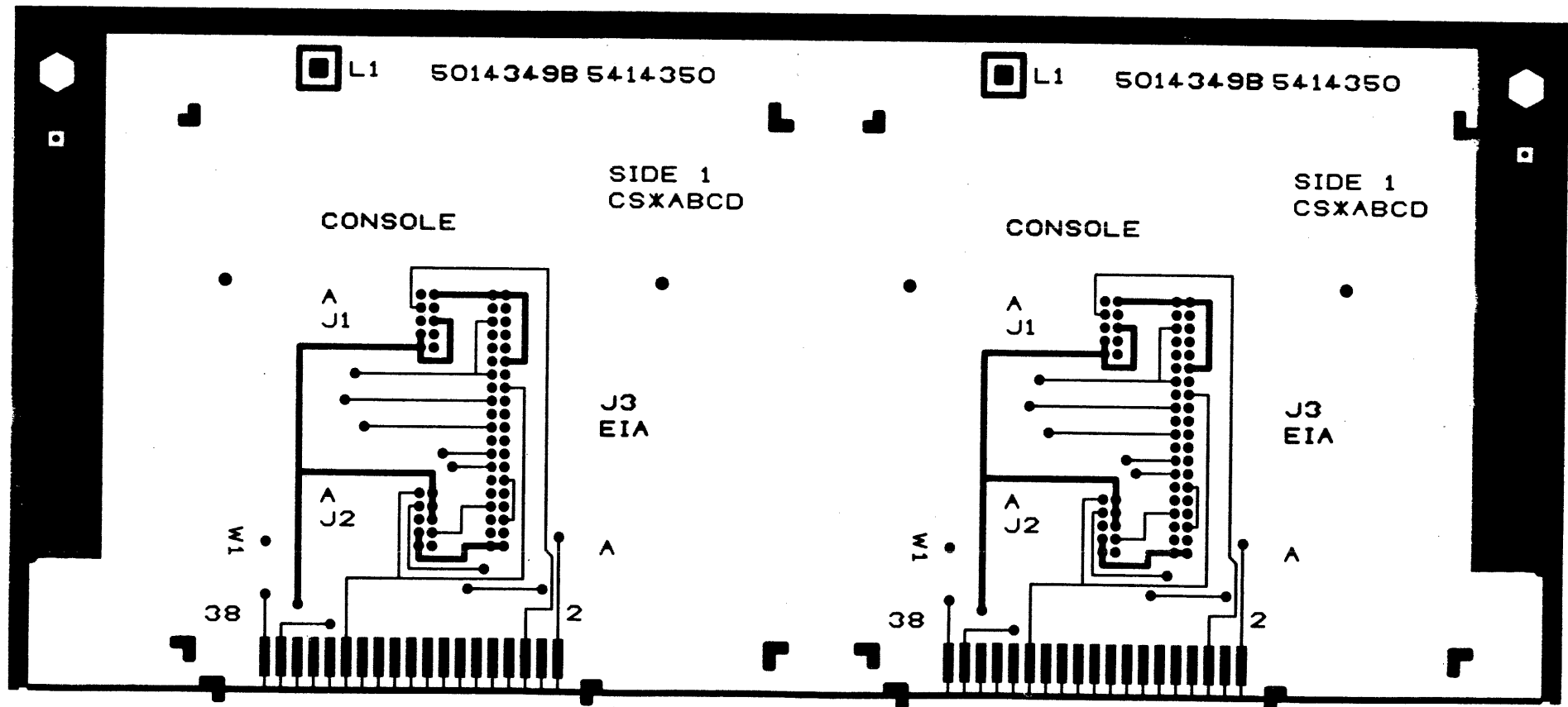
|                                  |  |         |                      |
|----------------------------------|--|---------|----------------------|
| SIGNATURES                       |  | DATE    | digital              |
| DRW. <i>[Signature]</i>          |  | 4-23-79 |                      |
| CHK'D <i>[Signature]</i>         |  | 5-1-79  |                      |
| ENG. <i>[Signature]</i>          |  | 5-1-79  | TITLE STP            |
| PROJ. ENG. <i>[Signature]</i>    |  | 5-1-79  | CONNECTOR CARD       |
| PROD. M. <i>[Signature]</i>      |  | 5-1-79  |                      |
| SCALE 2/1                        |  |         | SIZE CODE NUMBER REV |
| SHT. 1 OF 3                      |  |         | D UA 5414350-00 B    |
| NEXT HIGHER ASSY. B-DD-5414350-0 |  |         |                      |

MR 1 MS# 190430



"THIS DRAWING AND SPECIFICATIONS HEREIN ARE THE PROPERTY OF DIGITAL EQUIPMENT CORPORATION AND SHALL NOT BE REPRODUCED OR COPIED OR USED IN WHOLE OR IN PART AS THE BASIS FOR THE MANUFACTURE OR SALE OF ITEMS WITHOUT WRITTEN PERMISSION. COPYRIGHT © 1974 DIGITAL EQUIPMENT CORPORATION"

DUA5414350-0-0 B 2



DUA5414350-0-0 B

| REVISIONS |           |     |
|-----------|-----------|-----|
| CHK       | CHANGE NO | REV |
|           |           |     |

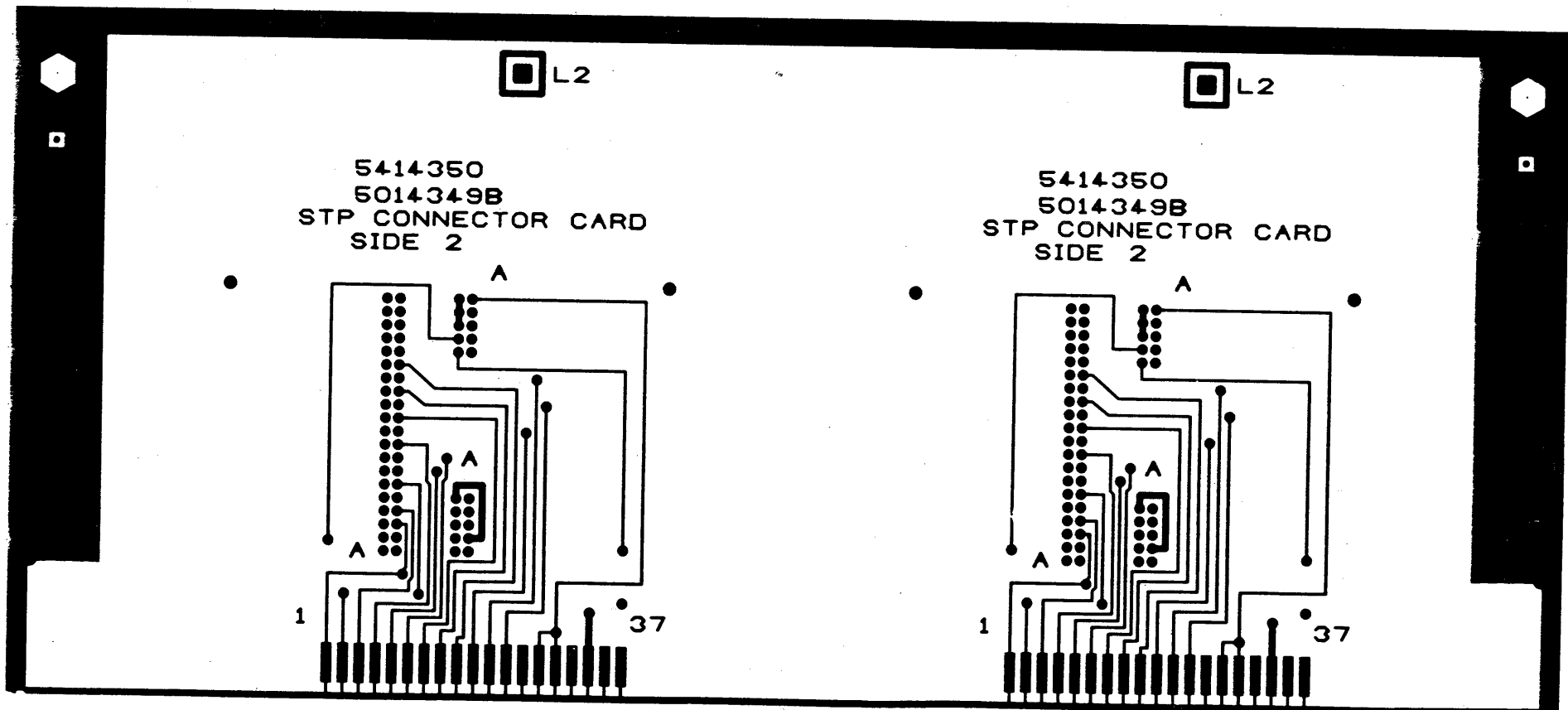
|                    |              |             |      |
|--------------------|--------------|-------------|------|
| TITLE              | SIZE CODE    | NUMBER      | REV. |
| STP CONNECTOR CARD | DUA          | 5414350-0-0 | B    |
| SCALE 2/1          | SHEET 2 OF 3 | DIST.       |      |

THIS DRAWING AND SPECIFICATIONS HEREIN ARE THE PROPERTY OF DIGITAL EQUIPMENT CORPORATION AND SHALL NOT BE REPRODUCED OR COPIED OR USED IN WHOLE OR IN PART AS THE BASIS FOR THE MANUFACTURE OR SALE OF ITEMS WITHOUT WRITTEN PERMISSION. COPYRIGHT © 1977 DIGITAL EQUIPMENT CORPORATION

SIZE CODE NUMBER REV. DUA5414350-0-0 B 2

D  
C  
B  
A

D  
C  
B  
A



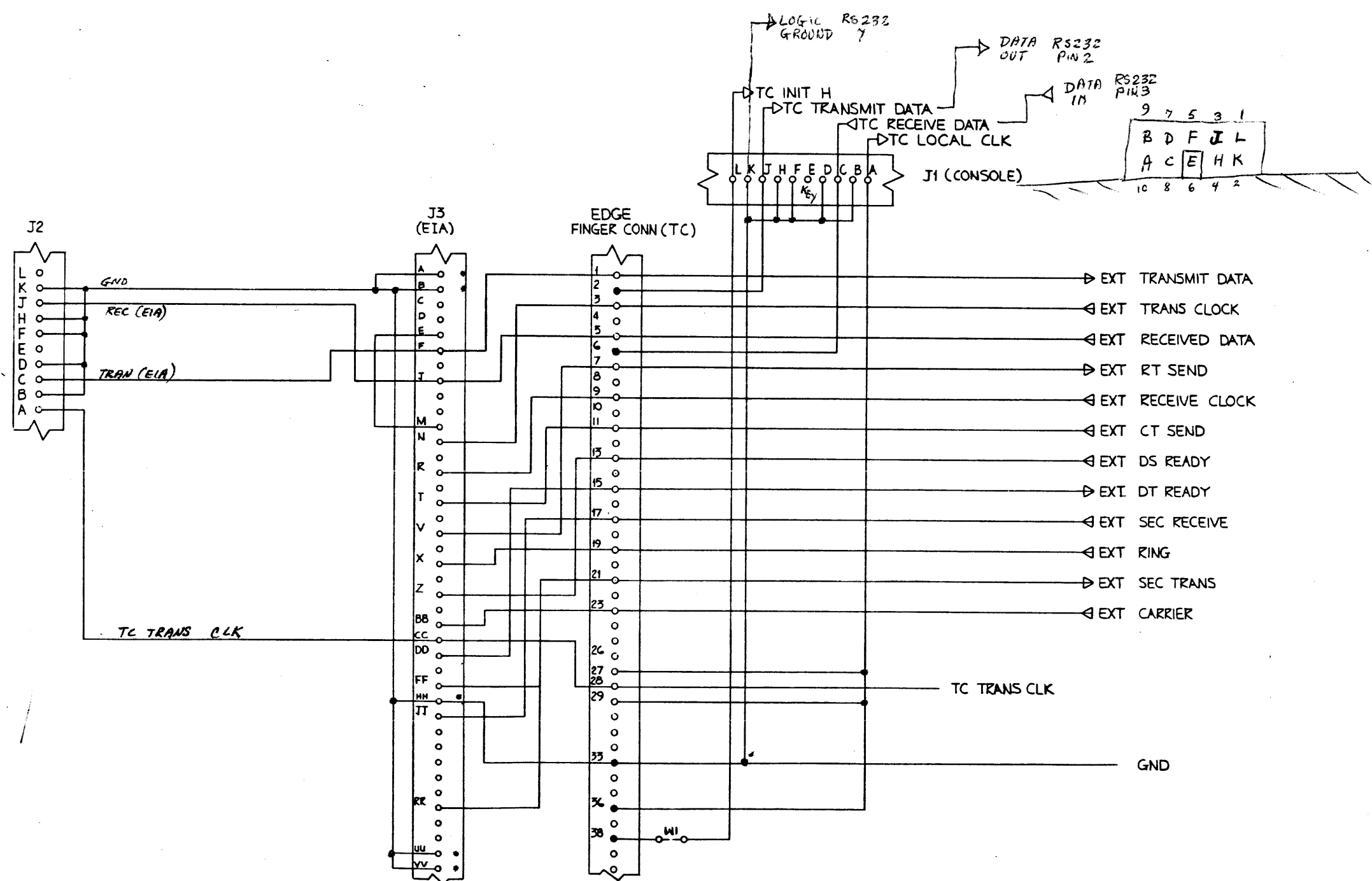
| REVISIONS |            |      |
|-----------|------------|------|
| CHK       | CHANGE NO. | REV. |
|           |            |      |

SIZE CODE NUMBER REV. DUA5414350-0-0 B 2

MR

THE DRAWING AND SPECIFICATIONS HEREIN ARE THE PROPERTY OF DIGITAL EQUIPMENT CORPORATION AND SHALL NOT BE REPRODUCED OR COPIED OR USED IN WHOLE OR IN PART AS THE BASIS FOR THE MANUFACTURE OR SALE OF ITEMS WITHOUT WRITTEN PERMISSION. COPYRIGHT © 1979 DIGITAL EQUIPMENT CORPORATION

DIGITAL EQUIPMENT CORPORATION  
5414350-0-1



|                    |          |               |                    |
|--------------------|----------|---------------|--------------------|
| DRN. C. Lee        | 3-12-79  | FIRST USED ON | digital            |
| CHK'D. B. Lee      | 3-12-79  | TITLE         | STP CONNECTOR CARD |
| ENGR. P. Lee       | 10-18-79 | SIZE          | D                  |
| PROJ. ENGR. S. Lee | 10-18-79 | CODE          | CS                 |
| PROD. M. Lee       | 10-18-79 | NUMBER        | 5414350-0-1        |
| NEXT HIGHER ASSY.  |          | REV.          | A                  |
| B-00-5414350-0     |          | SCALE         | MR                 |
| SHEET 1 OF 1       |          | DIST.         |                    |

|            |  |
|------------|--|
| REV.       |  |
| CHANGE NO. |  |
| DATE       |  |

| LINE | ITEM | DOCUMENT NUMBER  | PART NUMBER | DESCRIPTION               | QTY PER VARIATION<br>00 | REFERENCE DESIGNATOR |
|------|------|------------------|-------------|---------------------------|-------------------------|----------------------|
| 1    | 1    | D-MD-5014349-0-0 | 5014349-00  | ETCH CIRCUIT BD           | 1                       |                      |
| 2    | 2    |                  | 1209941-02  | HEADER 100 40POS RT ANGLE | 1                       | J3                   |
| 3    | 3    |                  | 1209941-05  | HEADER,100 10POS RT ANGLE | 2                       | J1,J2                |
| 4    | 4    |                  | 1209941-03  | HEADER RT ANGLE LEFT L    | 3                       |                      |
| 5    | 5    |                  | 1209941-04  | HEADER RT ANGLE,RIGHT     | 3                       |                      |

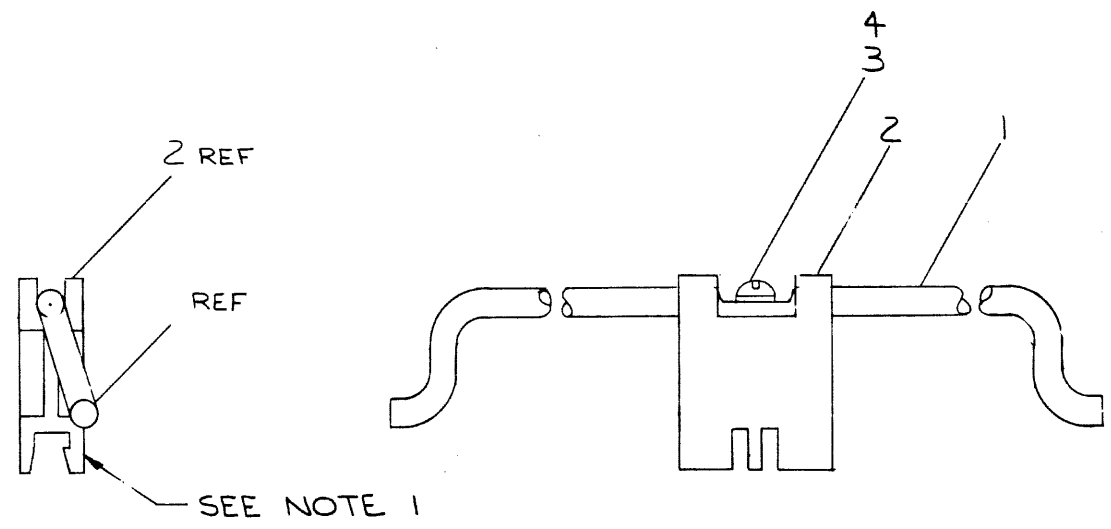
| REVISION HISTORY |            | BASIC PART NO: 5414350 |                          | DRN:             | E, WILSON     | DATE:                | 07-JUN-79 | D I G I T A L      |    |               |        |
|------------------|------------|------------------------|--------------------------|------------------|---------------|----------------------|-----------|--------------------|----|---------------|--------|
| ENG              | ECO NUMBER | REV                    | SECTION A OF A           | CHK'D:           | R, W, CAUNTER | DATE:                | 07-JUN-79 | T I T L E          |    |               |        |
|                  | INITIAL    | A                      | SECTION, VARIATION INDEX |                  |               |                      |           | P A R T S L I S T  |    |               |        |
|                  |            |                        | (A) 00                   |                  |               |                      |           | 5414350            |    |               |        |
|                  |            |                        | (B)                      |                  |               |                      |           | STP CONNECTOR CARD |    |               |        |
|                  |            |                        | (C)                      | DES, ENG:        | C, LAU        | DATE:                | 19-JUN-79 | DOCUMENT NUMBER    |    |               |        |
|                  |            |                        | (D)                      |                  |               |                      |           | SIZE, CODE, NUMBER |    |               |        |
|                  |            |                        | (E)                      | RESP, ENG, :     | D, SCHANIN    | DATE:                | 19-JUN-79 | K                  | PL | 5414350-0-DBP | REV    |
|                  |            |                        | (F)                      |                  |               |                      |           |                    |    |               |        |
|                  |            |                        | (G)                      | MFG, ENG, :      | M, WHITESLEY  | DATE:                | 09-JUL-79 |                    |    |               |        |
|                  |            |                        | (H)                      | ASSEMBLY NUMBER: |               | TOP DOCUMENT NUMBER: |           |                    |    |               | EDIT # |
|                  |            |                        | (I)                      | D-UA-5414350-0-0 |               | B-DD-5414350-0-0     |           |                    |    |               | 3      |
|                  |            |                        | (J)                      |                  |               |                      |           |                    |    |               |        |
|                  |            |                        | (K)                      |                  |               |                      |           |                    |    |               |        |
|                  |            |                        | (L)                      |                  |               |                      |           |                    |    |               |        |
|                  |            |                        | (M)                      |                  |               |                      |           |                    |    |               |        |
|                  |            |                        | (N)                      |                  |               |                      |           |                    |    |               |        |

"THIS DRAWING AND SPECIFICATIONS HEREIN, ARE THE PROPERTY OF DIGITAL EQUIPMENT CORPORATION AND SHALL NOT BE REPRODUCED OR COPIED OR USED IN WHOLE OR IN PART AS THE BASIS FOR THE MANUFACTURE OR SALE OF ITEMS WITHOUT WRITTEN PERMISSION. COPYRIGHT (C) 1979, DIGITAL EQUIPMENT CORPORATION "

MR

"THIS DRAWING AND SPECIFICATIONS, HEREIN, ARE THE PROPERTY OF DIGITAL EQUIPMENT CORPORATION AND SHALL NOT BE REPRODUCED OR COPIED OR USED IN WHOLE OR IN PART AS THE BASIS FOR THE MANUFACTURE OR SALE OF ITEMS WITHOUT WRITTEN PERMISSION. COPYRIGHT © 1979, DIGITAL EQUIPMENT CORPORATION"

NOTES:  
1. IMPORTANT: ORIENTATION OF BLOCK TO ANGLE OF BEND HAS TO BE AS SHOWN.



| ITEM NO. | DESCRIPTION                   | DWG./PART NO.    | ITEM NO. |
|----------|-------------------------------|------------------|----------|
| 1        | WASHER, INT TOOTH, #4         | 9006632-00       | 4        |
| 1        | SCR, PHL PAN HD, TYPE F, 4-40 | 9009236-00       | 3        |
| 1        | HOLDER, MODULE                | D-MD-7422784-0-0 | 2        |
| 1        | RETAINER, SPRING              | D-MD-7422783-0-0 | 1        |

| CLASS OF ACCURACY | NOMINAL DIMENSION RANGE INCHES |                 |                 |                  |                   |                   |
|-------------------|--------------------------------|-----------------|-----------------|------------------|-------------------|-------------------|
| (CHECK ONE)       | OVER 0 TO 0.2                  | OVER 0.2 TO 1.2 | OVER 1.2 TO 4.0 | OVER 4.0 TO 12.0 | OVER 12.0 TO 40.0 | OVER 40.0 TO 80.0 |
|                   | ±.004                          | ±.008           | ±.012           | ±.018            | ±.024             | ±.04              |
| MICROINCHES       | ±.012                          | ±.018           | ±.025           | ±.04             | ±.063             | ±.1               |

|                                      |                                    |                   |                      |
|--------------------------------------|------------------------------------|-------------------|----------------------|
| THIRD ANGLE PROJECTION               | DRN. <i>M. Pasenke</i> 3 MAY 79    | FIRST USED ON     | VT103                |
| REMOVE BURRS AND BREAK SHARP CORNERS | CHK'D <i>A. Neale</i> 12-20-79     | TITLE             | MODULE RETAINER ASSY |
| DO NOT SCALE DWG                     | ENG. <i>D. Schorn</i> 31-OCT-79    | NEXT HIGHER ASSY. |                      |
| MATERIAL SEE PARTS LIST              | PROD. <i>M.E. McLean</i> 30 OCT 79 | SIZE CODE         | C AD 7016815-0-0     |
| FINISH NONE                          | SCALE 2/1                          | NUMBER            | 7016815-0-0          |
|                                      | SHEET 1 OF 1                       | DIST.             |                      |

|            |      |
|------------|------|
| REVISIONS  | REV. |
| CHANGE NO. |      |
| CHK        |      |

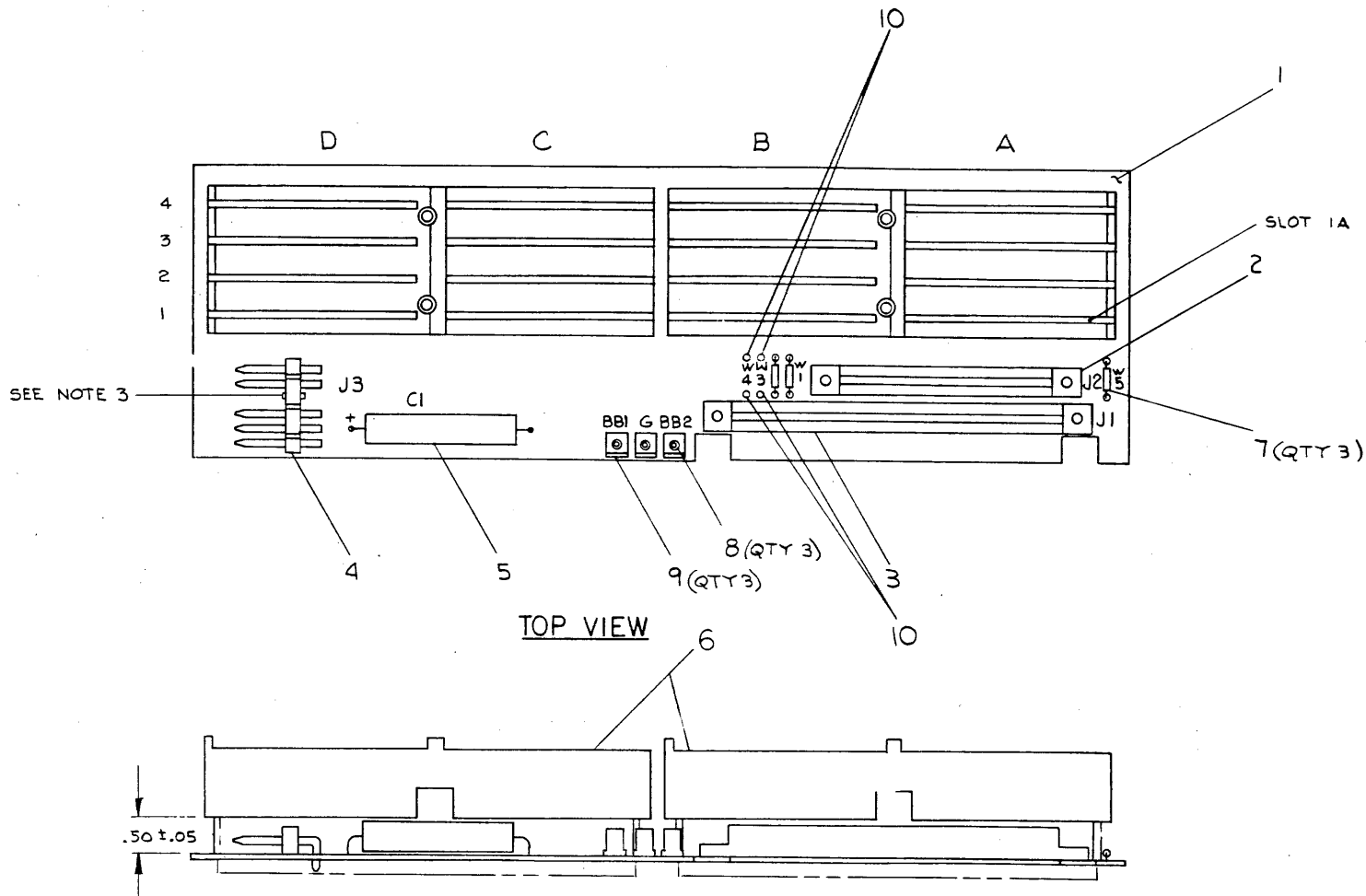
NUMBER  
 C AD 7016815-0-0  
 REV.



THIS DRAWING AND SPECIFICATIONS, HEREIN, ARE THE PROPERTY OF DIGITAL EQUIPMENT CORPORATION AND SHALL NOT BE REPRODUCED OR COPIED IN WHOLE OR IN PART AS THE BASIS FOR THE MANUFACTURE OR SALE OF ITEMS WITHOUT WRITTEN PERMISSION. COPYRIGHT © 1979, DIGITAL EQUIPMENT CORPORATION.

0-0-8-14008-0-0

- NOTES:
- ALL ITEMS ARE HAND INSERTED.
  - INSTALL ITEMS 7 AND 10 (JUMPERS & WIRE-WRAP PINS) FIRST.
  - THIS PIN MUST BE TRIMMED OFF (BOTH SIDES OF NYLON CARRIER) OR REMOVED FROM NYLON CARRIER BEFORE INSTALLING.
  - CPU SLOTS: 1A-1B FOR DAUL SIZE MODULE. 1A-1B-1C-1D FOR QUAD SIZE.
  - ~~ITEM 12 IS FIRST CUT INTO 50 INCH LENGTHS (TOTAL 10). THESE LENGTHS ARE THEN SLID INTO THE FOLLOWING PINS OF ITEM 6:~~  
~~A01A1, A01A2, A01V1, A01V2~~  
~~B01A1, B01A2, B01V1, B01V2~~  
~~C01A1, C01A2, C01V1, C01V2~~  
~~D01A1, D01A2, D01V1, D01V2~~
  - ITEMS 2 AND 3 MUST BE INSTALLED FLUSH WITH THE PRINTED CIRCUIT CARD.
  - THE FOUR MOUNTING HOLES FOR ITEMS 2 AND 3 (J1 AND J2) IN THE PRINTED CIRCUIT CARD MUST BE FREE OF SOLDER.
  - ITEM 9 (TAB) MUST BE SOLDERED TO THE TOP OF THE PRINTED CIRCUIT CARD FOLLOWING RIVETTING. NO SPACE MUST EXIST BETWEEN ITEM 9 AND THE PRINTED CIRCUIT CARD.



TOP VIEW  
FRONT VIEW

| REV. | CHANGED BY   | DATE     | DESCRIPTION    |
|------|--------------|----------|----------------|
| A    | ORIGINATED   |          |                |
| B    | 5414008-MRO1 | 11/27/79 | CHI LAU        |
| C    | 5414008-MRO2 | 12/17/79 | D. SCHEININ    |
| D    | MRO4         | 12/17/79 | B. LONGO       |
| E    | MRO5         | 1/2/80   | A. MARTIGNETTE |

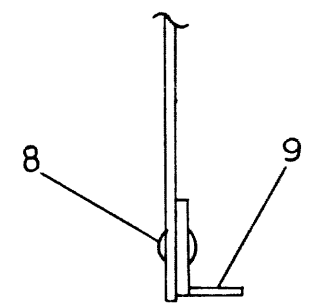
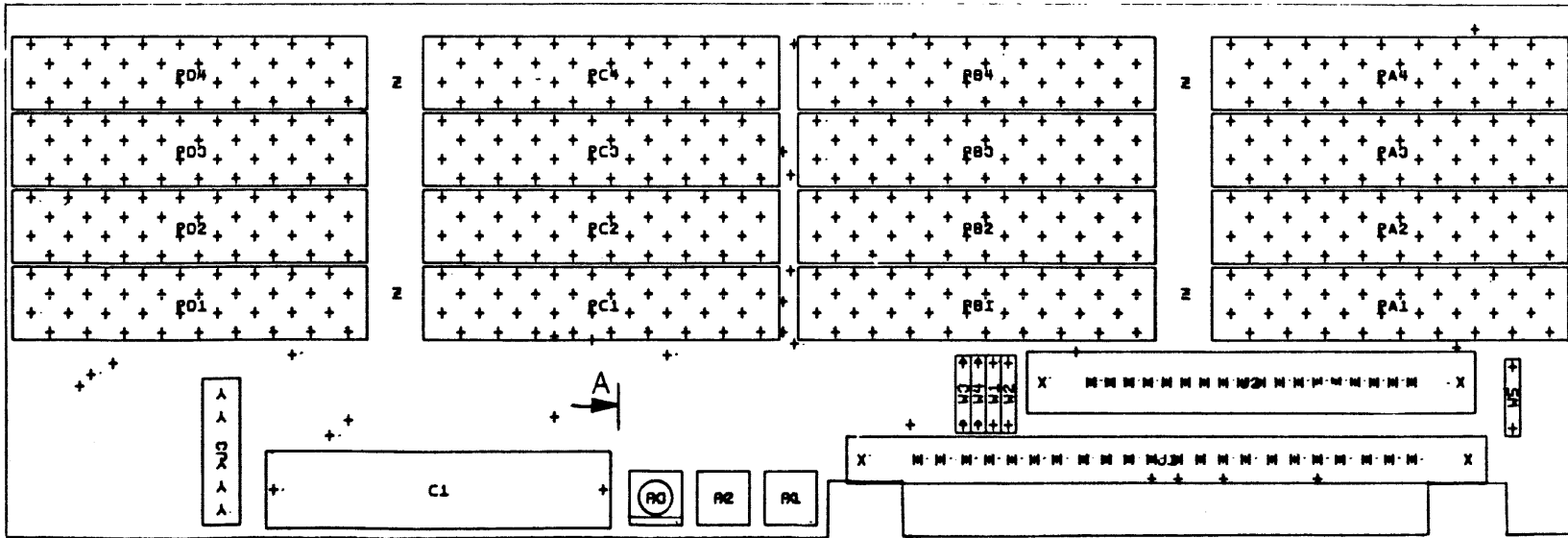
|                                      |   |                               |                 |
|--------------------------------------|---|-------------------------------|-----------------|
| THIRD ANGLE PROJECTION               | DESCRIPTION   | DWG. PART NO.                 | ITEM NO.        |
|                                      | UNLESS OTHERWISE SPECIFIED DIMENSIONS ARE IN INCHES |                               |                 |
| REMOVE BURRS AND BREAK SHARP CORNERS | CLASS OF SURFACE QUALITY                            | NORMAL DIMENSION RANGE INCHES |                 |
|                                      | CHECK ONE   | OVER 0 TO 13                  | OVER 1.2 TO 4.9 |
| DO NOT SCALE DWG                     | MEDIUM  | 2.004                         | 2.008           |
|                                      | PREFERRED   | 2.012                         | 2.016           |
| MATERIAL<br>SEE PARTS LIST           | FINISH  | NONE                          |                 |
|                                      | SCALE   | NONE                          |                 |
| SHEET 1 OF 2                         | FIRST USED ON                                       |                               | VT103           |
|                                      | TITLE   |                               |                 |
| B-00-5414008-0                       |   | SIZE CODE                     | D               |
| NUMBER                               |   | 5414008-0-0                   | REV. E          |
| DIST.                                |   | MR                            | 1               |

8 7 6 5 4 3 2 1

THIS DRAWING AND SPECIFICATIONS, HEREIN, ARE THE PROPERTY OF DIGITAL EQUIPMENT CORPORATION AND SHALL NOT BE REPRODUCED OR TRANSMITTED IN ANY FORM OR BY ANY MEANS, ELECTRONIC OR MECHANICAL, INCLUDING PHOTOCOPYING, RECORDING, OR BY ANY INFORMATION STORAGE AND RETRIEVAL SYSTEM, WITHOUT THE WRITTEN PERMISSION OF DIGITAL EQUIPMENT CORPORATION.

COMPONENT SIDE VIEW

REWORK INSTRUCTIONS  
ECC #4  
WIRE ADD SIDE 2, AC SMCAN:  
4-1 FROM A21HI TO A24HI



VIEW A-A

NOTES:

|        |        |      |       |
|--------|--------|------|-------|
| STEP 1 | Y AXIS | STEP | TINES |
| REPORT | X AXIS | STEP | TINES |

|              |     |
|--------------|-----|
| CHECHANGE NO | REV |
|              |     |
|              |     |
|              |     |

|                       |      |
|-----------------------|------|
| ETCH REV.             | D-PI |
| R.C. DESIGN DATA BASE | C    |

|                                    |  |         |                    |
|------------------------------------|--|---------|--------------------|
| SIGNATURES                         |  | DATE    | digital            |
| DRM. <i>John H. Shuman</i>         |  | 7/21/80 |                    |
| MECH. ENG.                         |  |         | TITLE VT 103       |
| PROJ. ENG.                         |  |         | BACKPLANE          |
| PROD.                              |  |         | SIZE CODE NUMBER   |
| SCALE 2/1                          |  |         | D UA 5414008-0-0 E |
| SMT. 2 OF 2                        |  |         | REV                |
| NEXT MEMBER PESTY B-DD-5414008-0-0 |  |         |                    |

8 7 6 5 4 3 2 1 MC I WO# 312590



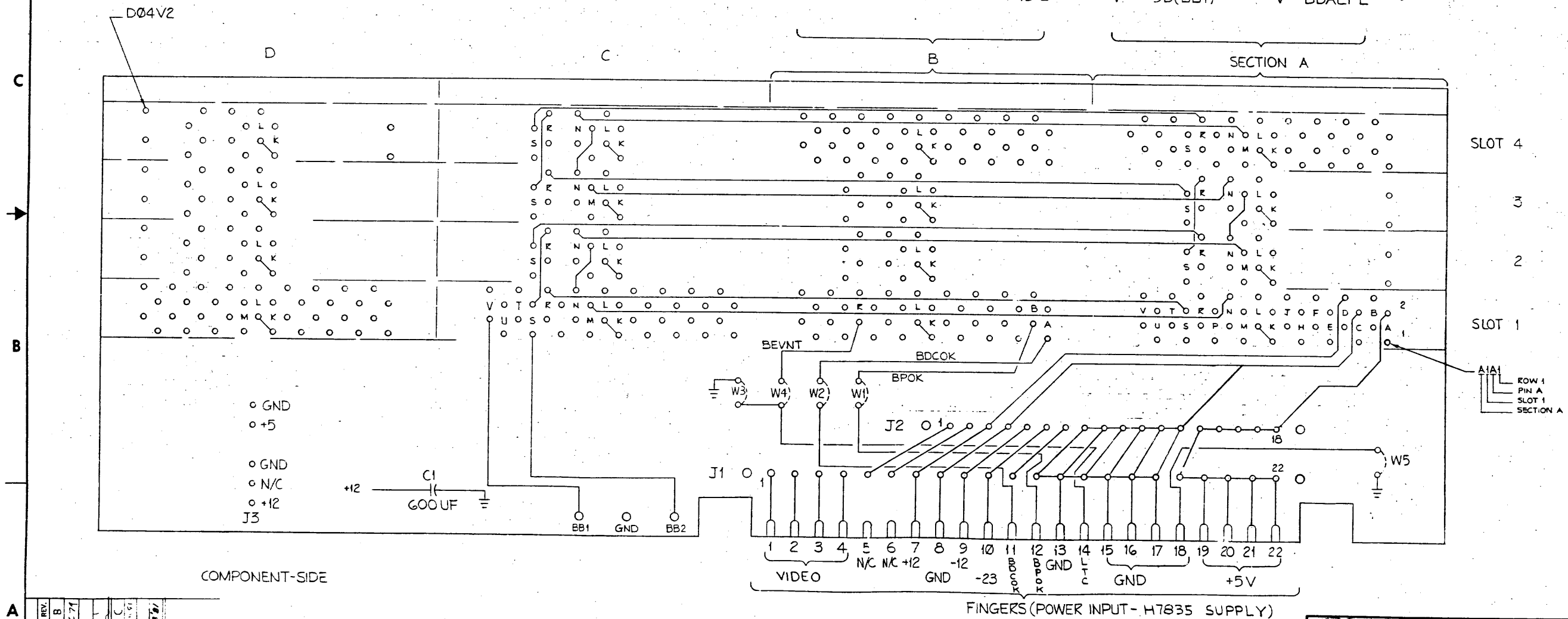
THIS DRAWING AND SPECIFICATIONS, HEREON, ARE THE PROPERTY OF DIGITAL EQUIPMENT CORPORATION AND SHALL NOT BE REPRODUCED OR COPIED OR USED IN WHOLE OR IN PART AS THE BASIS FOR THE MANUFACTURE OR SALE OF ITEMS WITHOUT WRITTEN PERMISSION. COPYRIGHT © 1979 DIGITAL EQUIPMENT CORPORATION

TABLE 1  
POWER SUPPLY AND JUMPER CONFIGURATION-FACTORY CONFIGURED FOR H7835 AND LINE TIME CLOCK DISABLED.

| POWER SUPPLY | W1  | W2  | W3  | W4  | W5  |
|--------------|-----|-----|-----|-----|-----|
| H7835        | IN  | IN  | OUT | *   | IN  |
| H7831        | OUT | OUT | IN  | OUT | OUT |

\* INSERT TO ENABLE LINE TIME CLOCK  
REMOVE TO DISABLE LINE TIME CLOCK

| PIN(1) | SIGNAL  | PIN(2) | SIGNAL  | PIN(1) | SIGNAL    | PIN(2) | SIGNAL  |
|--------|---------|--------|---------|--------|-----------|--------|---------|
| A      | BDCOK H | A      | +5V     | A      | BIRQ5 L   | A      | +5V     |
| B      | BPOK H  | B      | -12V    | B      | BIRQ6 L   | B      | -12V    |
| C      | SSPARE4 | C      | GND     | C      | BDAL16 L  | C      | GND     |
| D      | 5       | D      | +12V    | D      | BDAL7 L   | D      | +12V    |
| E      | 6       | E      | BDAL2 L | E      | SSPARE1   | E      | BDOUT L |
| F      | 7       | F      | 3 L     | F      | SSPARE2   | F      | BRPLY L |
| G      | 8       | G      | 4 L     | G      | SRUN L    | G      | BDIN L  |
| H      | GND     | H      | 5 L     | H      | GND       | H      | BSYNC L |
| I      | MSPAREB | I      | 6 L     | I      | MSPAREA   | I      | BWTBT L |
| J      | MSPAREB | J      | 7 L     | J      | MSPAREA   | J      | BIRQ4 L |
| K      | GND     | K      | 8 L     | K      | GND       | K      | BIAK1 L |
| L      | BSACK L | L      | 9 L     | L      | BDMR L    | L      | BIAKO L |
| M      | BIRQ7 L | M      | 10 L    | M      | BHALT L   | M      | BBS7 L  |
| N      | BEVNT L | N      | 11 L    | N      | BREF L    | N      | BDMGI L |
| O      | PSPARE4 | O      | 12 L    | O      | +12B(BB2) | O      | BDMGO L |
| P      | GND     | P      | 13 L    | P      | GND       | P      | BINIT L |
| Q      | PSPARE2 | Q      | 14 L    | Q      | PSPARE1   | Q      | BDALO L |
| R      | +5V     | R      | 15 L    | R      | +5B(BB1)  | R      | BDAL1 L |



| REV. | CHANGE NO. | BY         | DATE    |
|------|------------|------------|---------|
| B    | 1          | D. SCHANIN | 1/24/79 |
| C    | 2          | J. LONGO   | 1/24/79 |

|       |       |       |            |       |                   |                  |       |              |
|-------|-------|-------|------------|-------|-------------------|------------------|-------|--------------|
| DRN   | CHK'D | ENG.  | PROJ. ENG. | PROD. | NEXT HIGHER ASSY. | B-DD-5414008-0   | SCALE | SHEET 1 OF 2 |
| VT103 | VT103 | VT103 | VT103      | VT103 | VT103             | D CS 5414008-0-1 | 1     | 1            |



MR

AUTOMATED BY PRTLST.3K(25)

PARTS LIST

SHEET A1 OF A1

| LINE ITEM | DOCUMENT NUMBER  | PART NUMBER | DESCRIPTION                      | QTY PER VARIATION<br>00 | REFERENCE DESIGNATOR |
|-----------|------------------|-------------|----------------------------------|-------------------------|----------------------|
| 1         | D-MD-5014007-0-0 | 5014007-00  | VT103 BACKPLANE                  | 1                       |                      |
| 2         |                  | 1215030-00  | EDGE CARD 18POS STRAIGHT .125CC  | 1                       | J2                   |
| 3         |                  | 1215029-00  | EDGE CARD 22POS STRAIGHT .156CC  | 1                       | J1                   |
| 4         |                  | 1212204-11  | HEADER,156 6POS RT ANGLE         | 1                       | J3                   |
| 5         |                  | 1011849-01  | 600 MFD 25V +75-10% AL EL        | 1                       | C1                   |
| 6         |                  | 1210258-01  | CONN,CARD 288PIN SLOTTED OPEN EN | 2                       |                      |
| 7         |                  | 9009185-00  | JUMPER, WIRE, INSULATED, BLACK B | 3                       | W1,W2,W5             |
| 8         |                  | 9009000-00  | EYELET,ROLL FLANGE .1210DX .156  | 3                       |                      |
| 9         |                  | 9008219-00  | TERM QUICK 1POS ADAPTER          | 3                       |                      |
| 10        |                  | 9009149-01  | PIN, STAKING, P.C.BOARD .025 SQU | 4                       |                      |
| 11        | A-SP-3700425-0-0 | 3700425-00  | PKG BACKPLANE 5414008-54-13945 I | 1                       |                      |
| 12        |                  | 9107267-11  | *** THIS ITEM IS NOT USED ***    | -                       |                      |
| 13        | A-DC-7411881-0-0 | 7411881-00  | DECAL BACKPLANE REV STATUS       | 1                       |                      |

- 14 NOTE: 1. SPARE LOCATIONS ARE:W3,W4  
 15 NOTE: 2. IF THERE IS A SHORTAGE OF 9009149-01,9009149-00 MAY BE USED

| REVISION HISTORY |               |     | BASIC PART NO: 5414008  |                  | DRN:                 | DATE:           | DIGITAL |                 |     |  |
|------------------|---------------|-----|-------------------------|------------------|----------------------|-----------------|---------|-----------------|-----|--|
| ENGR             | ECO NUMBER    | REV | SECTION A OF A          | CHK'D:           | DATE:                | TITLE           |         | PARTS LIST      |     |  |
| ---              | INITIAL       | A   | SECTION VARIATION INDEX | R.W.CAUNTER      | 24-JAN-79            | 5414008         |         | VT103 BACKPLANE |     |  |
| CL               | 5414008-MR001 | B   | [A] 00                  | CHI LAU          | 29-MAR-79            | DOCUMENT NUMBER |         |                 |     |  |
| DS               | 5414008-MR002 | C   | [B]                     | CHI LAU          | 29-MAR-79            | SIZE            | CODE    | NUMBER          | REV |  |
| AM               | 5414008-MR005 | UCL | [C]                     | C. BEVERLEY      | 29-MAR-79            | K               | PL      | 5414008-0-DBP   | E   |  |
|                  |               |     | [D]                     | ASSEMBLY NUMBER: | TOP DOCUMENT NUMBER: | FILE NAME:      |         | EDIT #          |     |  |
|                  |               |     | [E]                     | D-UA-5414008-0-0 |                      | Z0449E.PLS      |         | 9               |     |  |
|                  |               |     | [F]                     |                  |                      |                 |         |                 |     |  |
|                  |               |     | [G]                     |                  |                      |                 |         |                 |     |  |
|                  |               |     | [H]                     |                  |                      |                 |         |                 |     |  |
|                  |               |     | [I]                     |                  |                      |                 |         |                 |     |  |
|                  |               |     | [J]                     |                  |                      |                 |         |                 |     |  |
|                  |               |     | [K]                     |                  |                      |                 |         |                 |     |  |
|                  |               |     | [L]                     |                  |                      |                 |         |                 |     |  |
|                  |               |     | [M]                     |                  |                      |                 |         |                 |     |  |
|                  |               |     | [N]                     |                  |                      |                 |         |                 |     |  |

"THIS DRAWING AND SPECIFICATIONS HEREIN, ARE THE PROPERTY OF DIGITAL EQUIPMENT CORPORATION AND SHALL NOT BE REPRODUCED OR COPIED OR USED IN WHOLE OR IN PART AS THE BASIS FOR THE MANUFACTURE OR SALE OF ITEMS WITHOUT WRITTEN PERMISSION. COPYRIGHT (C) 1981, DIGITAL EQUIPMENT CORPORATION."

MR

# DIGITAL EQUIPMENT CORPORATION PARTS LIST

QUANTITY / VARIATION

NOTES:

|                          |                          |                         |
|--------------------------|--------------------------|-------------------------|
| MADE BY <i>J. Wilson</i> | CHECKED <i>R. W. ...</i> | SECTION <i>1</i>        |
| DATE <i>27 MAR 79</i>    | DATE <i>3/27/79</i>      |                         |
| ENG <i>...</i>           | PROD <i>...</i>          | ISSUED SECTION <i>1</i> |
| DATE <i>3/24/79</i>      | DATE <i>3/27/79</i>      |                         |

| ITEM NO.     | DRAWING NO.                 | PART NO.           | DESCRIPTION            | REF          | QTY | VAR | UNIT | QTY | VAR | UNIT | QTY | VAR | UNIT | QTY | VAR | UNIT | QTY | VAR | UNIT | REF DESIGNATION |
|--------------|-----------------------------|--------------------|------------------------|--------------|-----|-----|------|-----|-----|------|-----|-----|------|-----|-----|------|-----|-----|------|-----------------|
| <del>1</del> | <del>B-TC-5414008-0-2</del> | <del>MP00728</del> | <del>PRINT SET</del>   | <del>1</del> |     |     |      |     |     |      |     |     |      |     |     |      |     |     |      |                 |
| 2            | A-SP-3700425-0-0            |                    | PACKAGING INSTRUCTIONS | REF          |     |     |      |     |     |      |     |     |      |     |     |      |     |     |      |                 |
| 3            | D-UA-5414008-0-0            | 5414008            | VT103 BACKPLANE        | 1            |     |     |      |     |     |      |     |     |      |     |     |      |     |     |      |                 |

|                     |   |   |   |                          |   |                                      |                          |  |
|---------------------|---|---|---|--------------------------|---|--------------------------------------|--------------------------|--|
| E.C.O. NO.<br>MR001 | <p>"THIS DRAWING AND SPECIFICATIONS, HEREIN, ARE THE PROPERTY OF DIGITAL EQUIPMENT CORPORATION AND SHALL NOT BE REPRODUCED OR COPIED OR USED IN WHOLE OR IN PART AS THE BASIS FOR THE MANUFACTURE OR SALE OF ITEMS WITHOUT WRITTEN PERMISSION. COPYRIGHT ©1979 DIGITAL EQUIPMENT CORPORATION"</p> | <p>TITLE<br/><b>SHIPPING LIST (5414008)</b></p> | <p>ASSY NO.<br/><b>B-DD-5414008-0</b></p> | <p>SIZE<br/><b>B</b></p> | <p>CODE<br/><b>PL</b></p>                 | <p>NUMBER<br/><b>5414008-0-3</b></p> | <p>REV.<br/><b>A</b></p> |  |
|                     |   |   | <p>SHEET <b>1</b> OF <b>1</b></p>         |                          | <p>INSERTION PARTS LIST DATA BASE REV</p> |                                      |                          |  |

MR